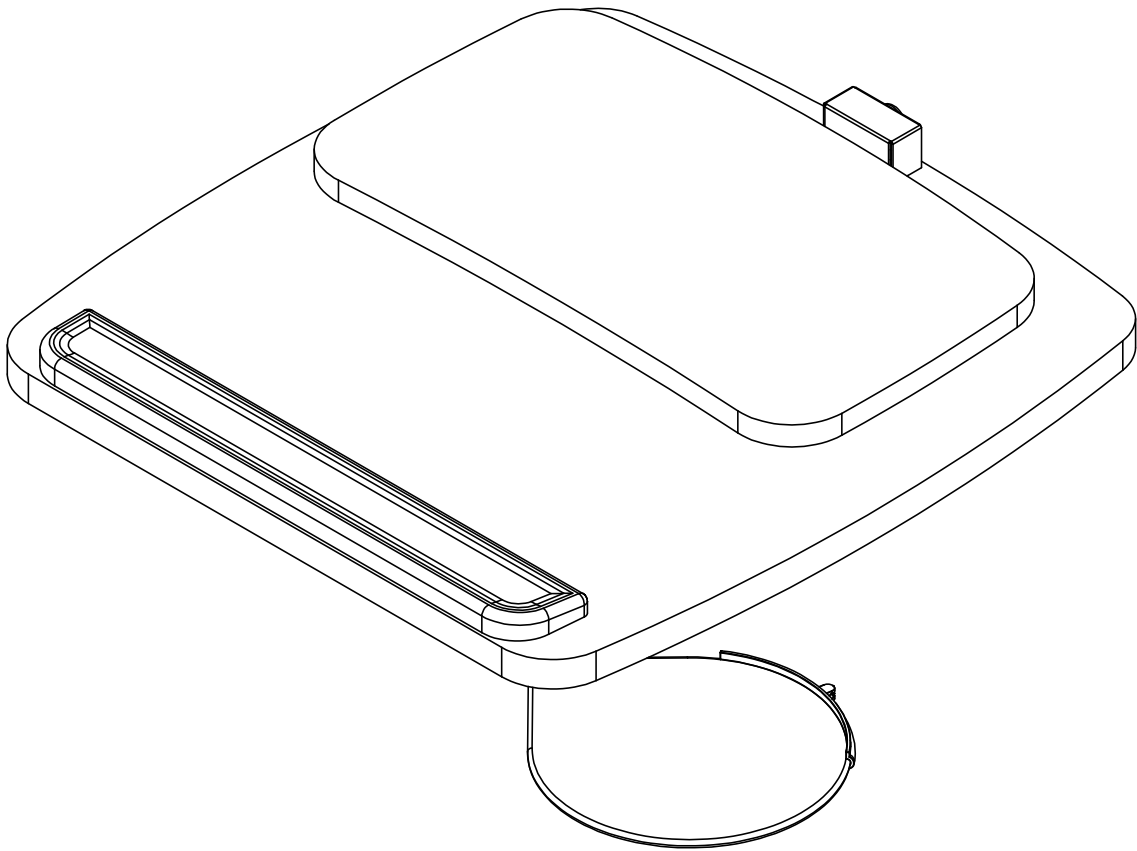
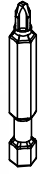




**Two Tier Security Worksurface Assembly Instructions**  
**Warranty: [raproducts.com/warranty](http://raproducts.com/warranty)**



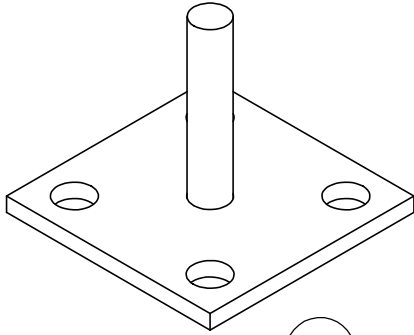


Power Driver with Adjustable Torque

#2 Phillips Head Driver Bit

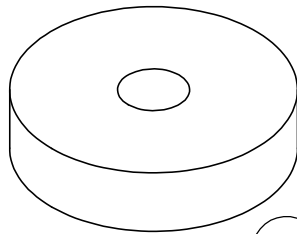
#2 Square Head Driver Bit

7/16" Wrench, Socket or Driver Bit



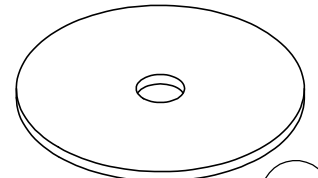
1

800368 x1



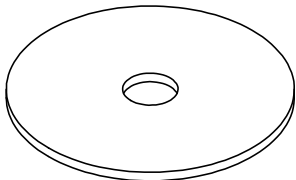
2

50733 x1



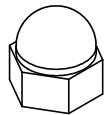
3

50201 x1  
(Nylon)



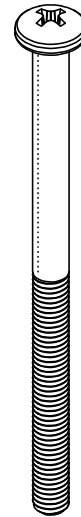
4

50153 x1  
(Steel)



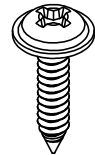
5

50560 x1



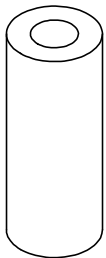
6

52352 x4



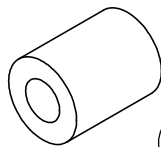
7

51708 x4



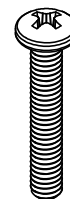
8

800475 x4



9

800476 x4



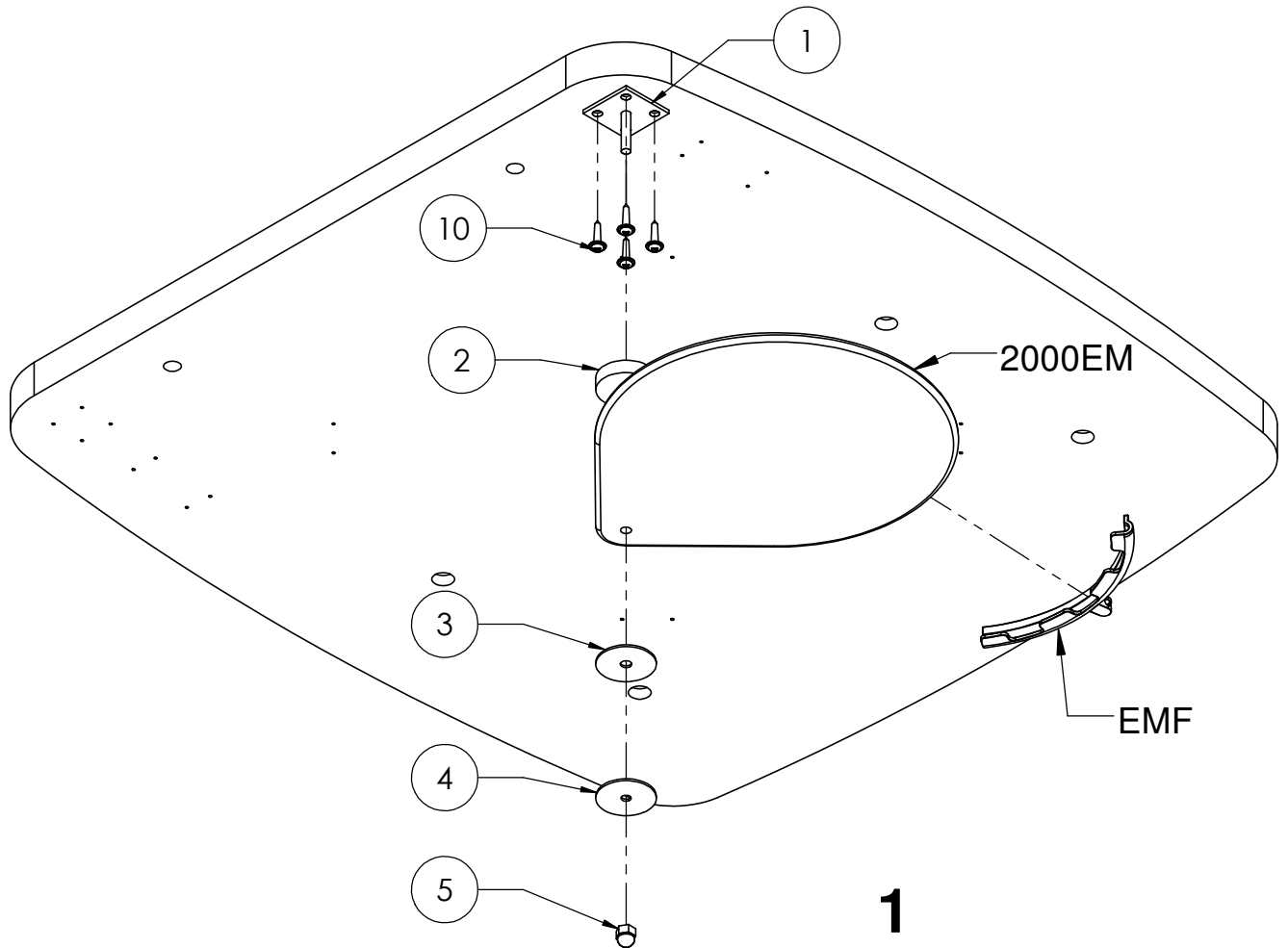
10

50319 x 2



11

52353 x 2



Tighten the nut **5** so the mouse tray will rotate but not spin freely.  
 The mouse tray can also be installed on the left side of the workstation.

