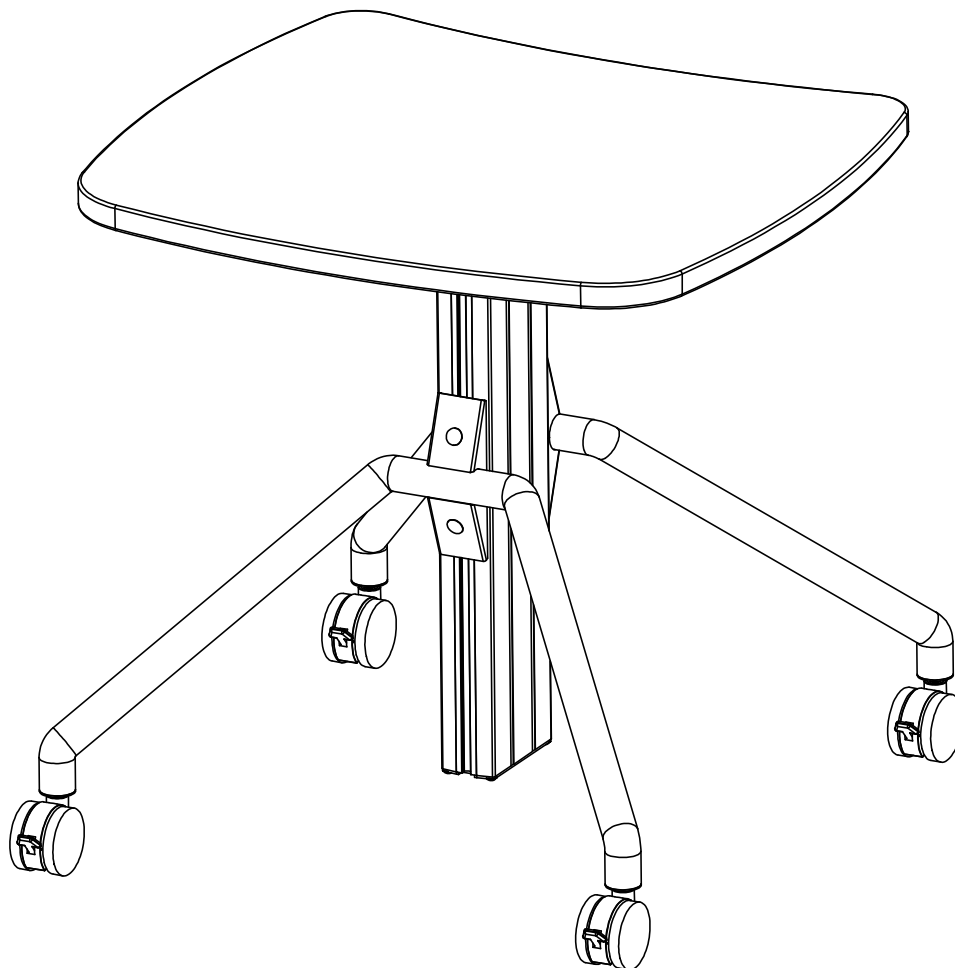




**NewHeights Series 4 Arriba Gas Lift  
Assembly Instructions  
Warranty: [raproducts.com/warranty](http://raproducts.com/warranty)**



**rightangle™** Arriba Gas Lift # 53317



Power Driver with Adjustable Torque



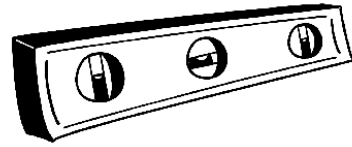
#2 Phillips Head Driver Bit



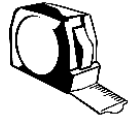
#2 Square Head Driver Bit



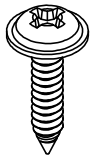
3/16" Hex Head Driver Bit or Allen Wrench



Level

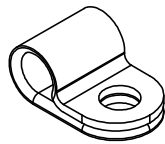


Tape Measure



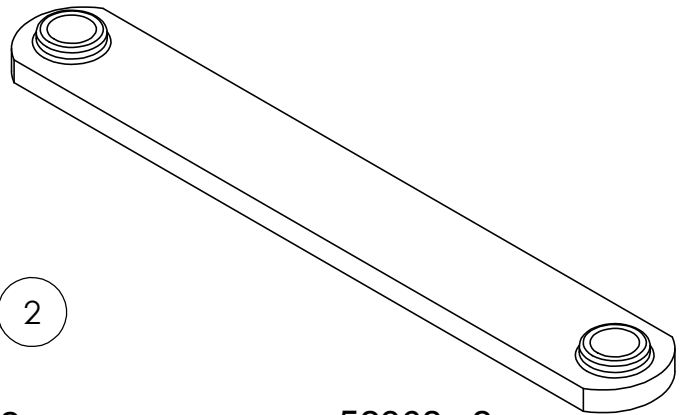
1

51708 x14



2

52604 x2



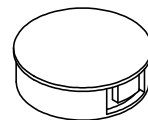
3

52963 x2



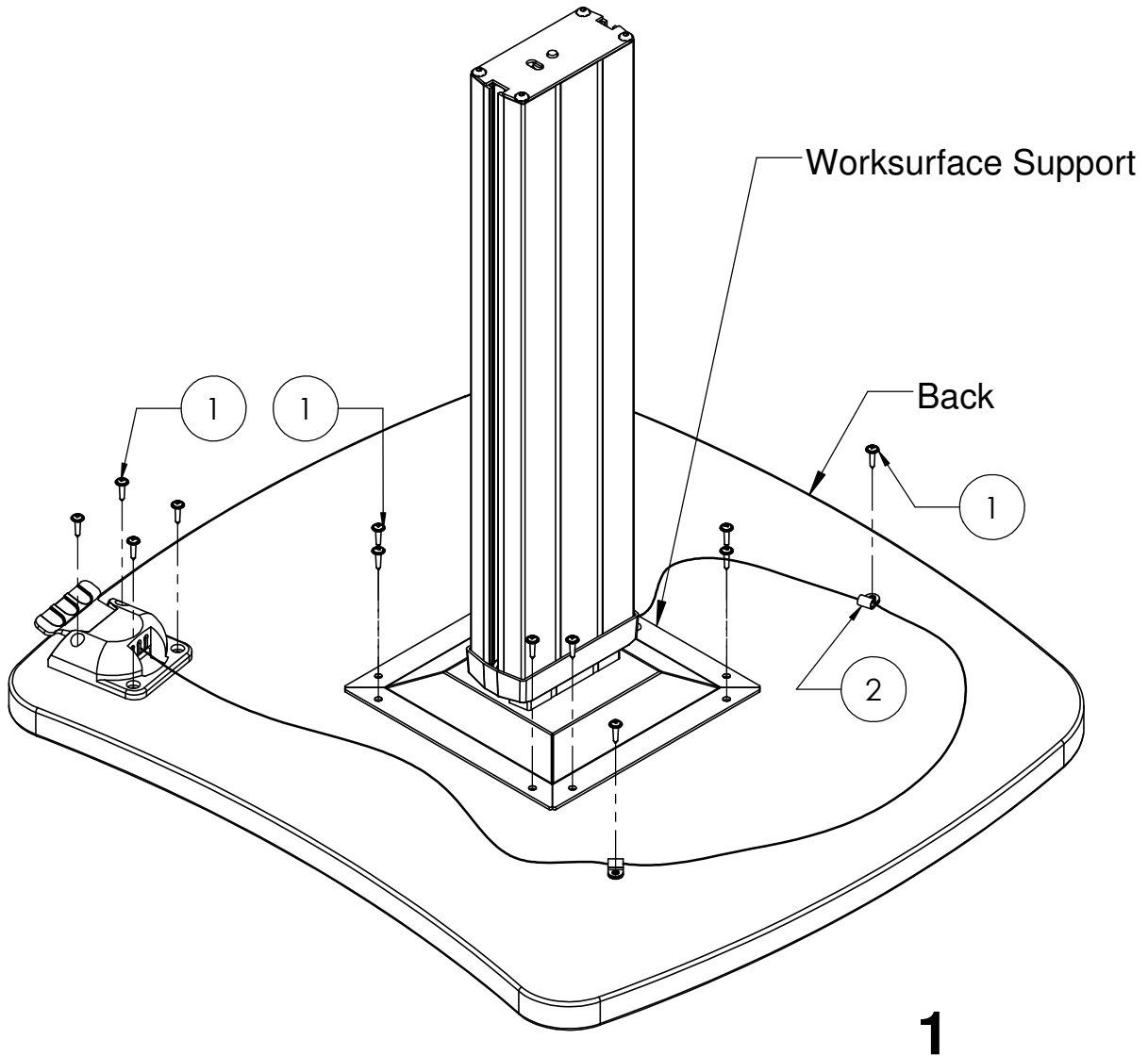
4

53638 x4

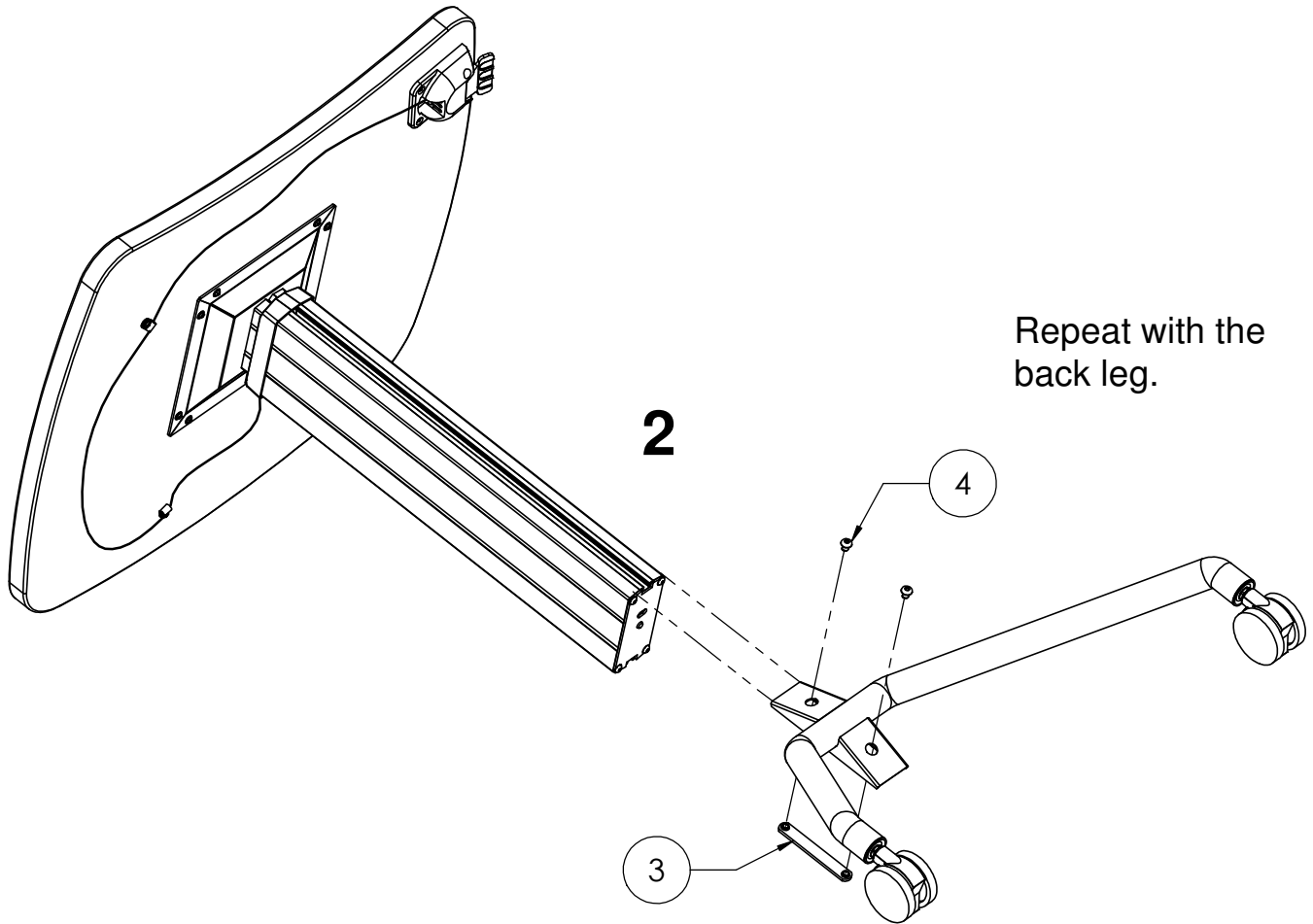


5

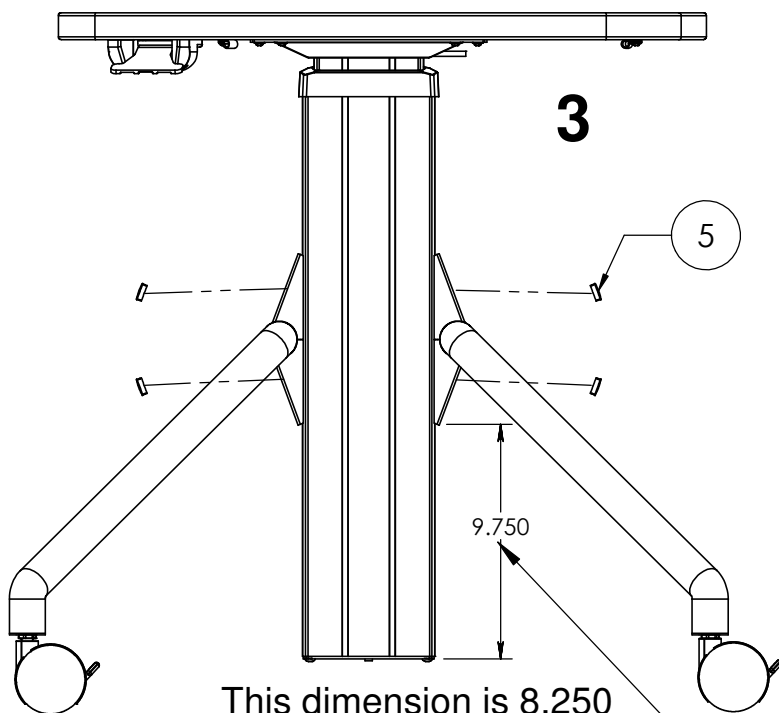
52059 x4



**Caution: Do not push the slotted release mechanism inside the worksurface support or the release handle because the lift column will rise up rapidly.**



Repeat with the back leg.



This dimension is 8.250 on units with glides.

To level the workstation:  
 Rock the workstation slightly until all four casters are resting on the floor. If it is not level, push down on the leg assemblies until it is level. Tighten the socket screws **4**.

If there are two different size legs, the larger one goes on the back.