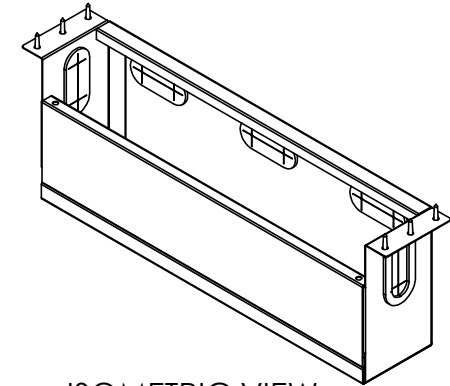
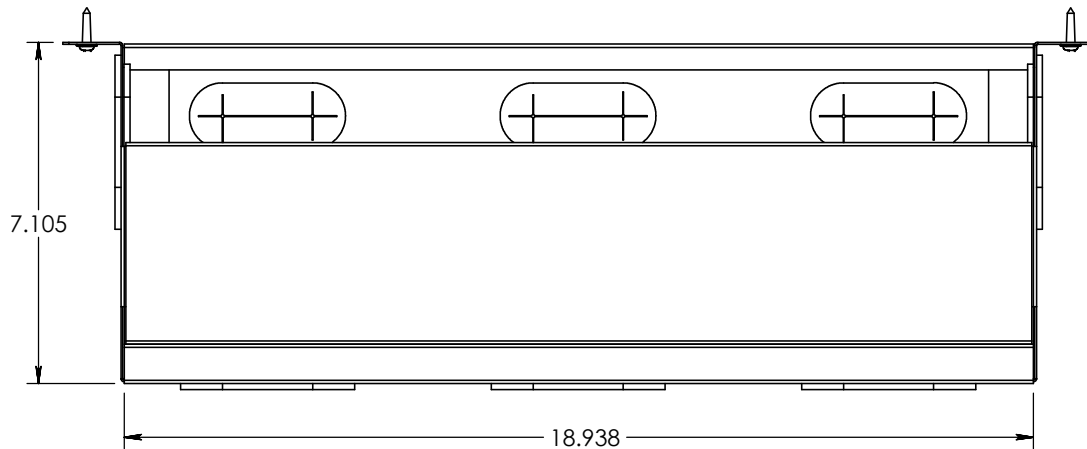


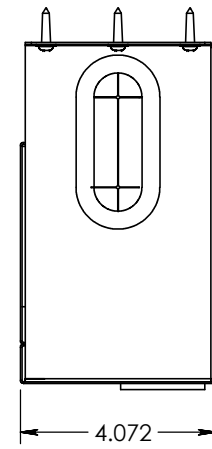
TOP VIEW



ISOMETRIC VIEW



FRONT VIEW



RIGHT VIEW

DRAWING NUMBER: XWMB36	
DESCRIPTION: WIRE MANAGEMENT BOX	
MATERIAL: XX Ga.	
DATE: 5/16/2017	
PAGE 1 OF 4	WEIGHT: 1.96

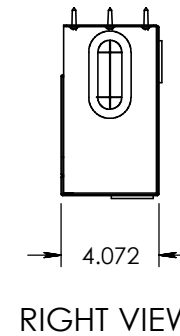
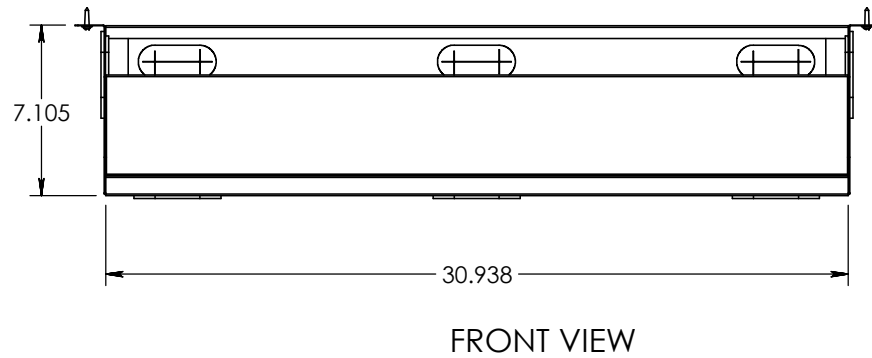
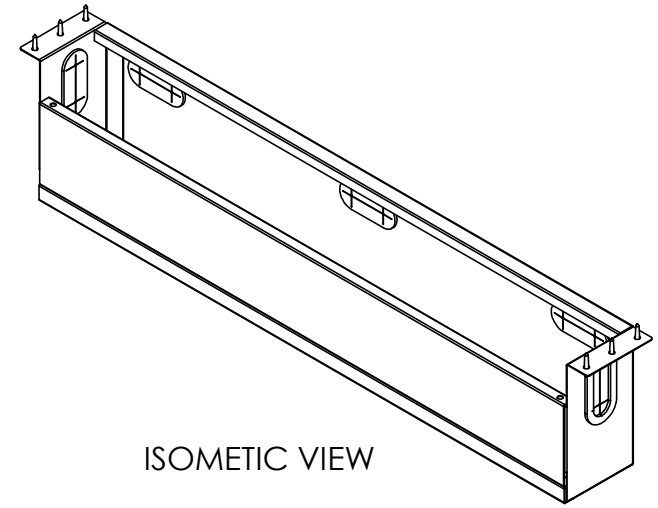
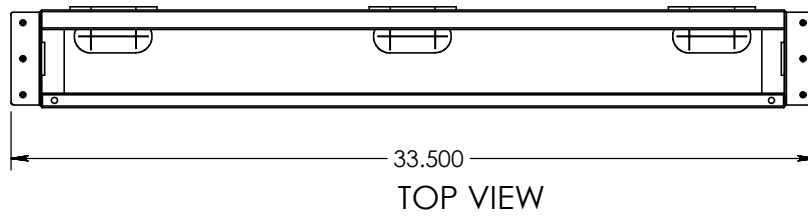

  
 ergonomic products
   
**K&A MANUFACTURING**
  
 6703 ZINSER ST., SCHOFIELD, WI 54476
   
 PHONE: 800.298.4351 FAX: 866.882.9475
   
[www.raproducts.com](http://www.raproducts.com)

REVISION HISTORY		
REV.	DESCRIPTION	DATE

**TOLERANCES:**  
 .xx = ± .03  
 .xxx = ± .015  
 Angles = ±1°

ALL PARTS MUST BE CLEAN!  
 VALUES AND DIMENSIONS  
 ARE IN INCHES UNLESS  
 OTHERWISE NOTED.

**PROPRIETARY AND CONFIDENTIAL**  
 THE INFORMATION CONTAINED IN THIS  
 DRAWING IS THE SOLE PROPERTY OF  
 K&A MANUFACTURING. ANY  
 REPRODUCTION IN PART OR AS A WHOLE  
 WITHOUT THE WRITTEN PERMISSION OF  
 K&A MANUFACTURING IS PROHIBITED.

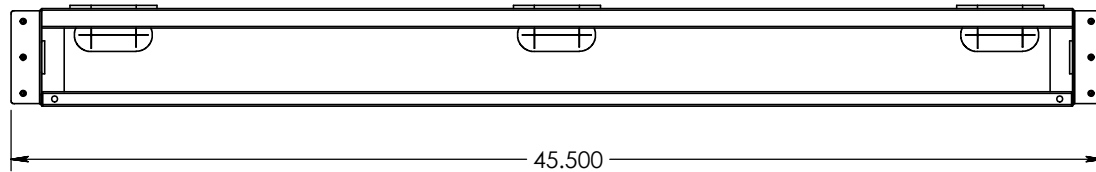


DRAWING NUMBER: XWMB48	
DESCRIPTION: WIRE MANAGEMENT BOX	
MATERIAL: XX Ga.	
DATE: 5/16/2017	
PAGE 2 OF 4	WEIGHT: 1.96

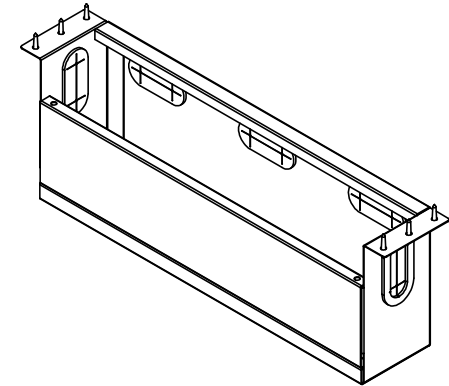
**rightangle™**  
ergonomic products  
**K&A MANUFACTURING**  
6703 ZINSER ST., SCHOFIELD, WI 54476  
PHONE: 800.298.4351 FAX: 866.882.9475  
www.raproducts.com

REVISION HISTORY		
REV.	DESCRIPTION	DATE

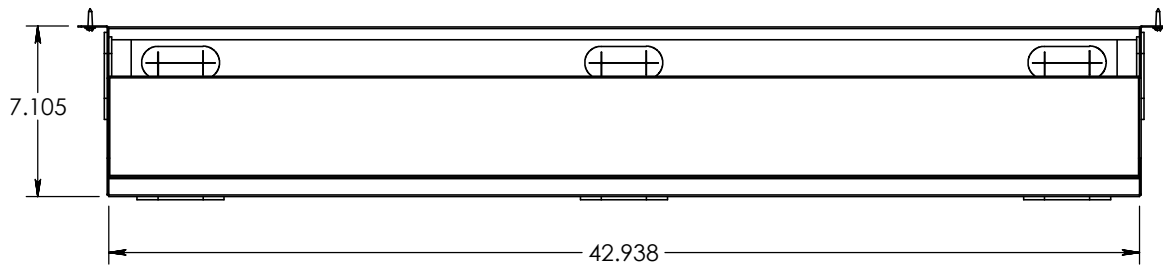
<b>TOLERANCES:</b> .xx = ± .03 .xxx = ± .015 Angles = ±1°	ALL PARTS MUST BE CLEAN! VALUES AND DIMENSIONS ARE IN INCHES UNLESS OTHERWISE NOTED.
<b>PROPRIETARY AND CONFIDENTIAL</b> THE INFORMATION CONTAINED IN THIS DRAWING IS THE SOLE PROPERTY OF K&A MANUFACTURING. ANY REPRODUCTION IN PART OR AS A WHOLE WITHOUT THE WRITTEN PERMISSION OF K&A MANUFACTURING IS PROHIBITED.	



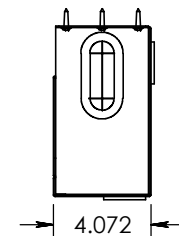
TOPVIEW



ISOMETRIC VIEW



FRONT VIEW



RIGHT VIEW

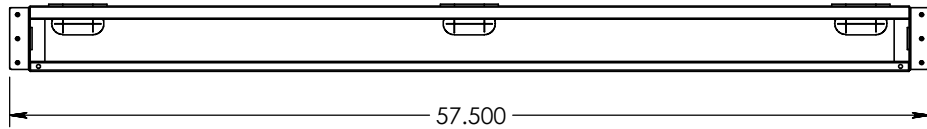
DRAWING NUMBER: XWMB60	
DESCRIPTION: WIRE MANAGEMENT BOX	
MATERIAL: XX Ga.	
DATE: 5/16/2017	
PAGE 3 OF 4	WEIGHT: 1.96


  
 ergonomic products
   
**K&A MANUFACTURING**
  
 6703 ZINSER ST., SCHOFIELD, WI 54476
   
 PHONE: 800.298.4351 FAX: 866.882.9475
   
 www.raproducts.com

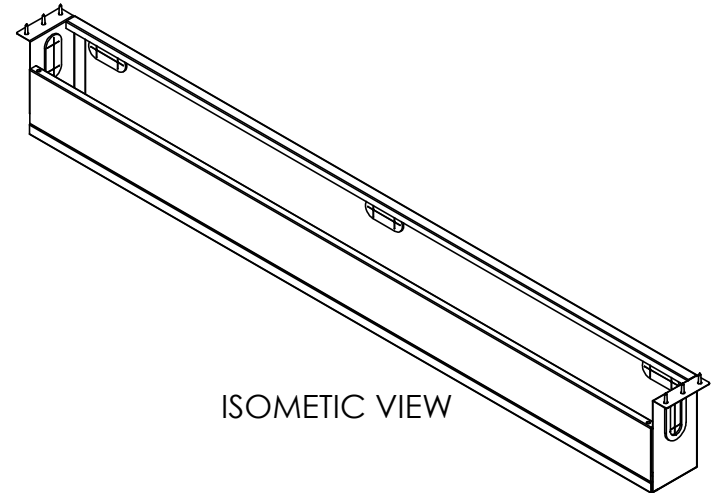
REVISION HISTORY		
REV.	DESCRIPTION	DATE

<b>TOLERANCES:</b> .xx = ± .03 .xxx = ± .015 Angles = ±1°	ALL PARTS MUST BE CLEAN! VALUES AND DIMENSIONS ARE IN INCHES UNLESS OTHERWISE NOTED.
--	---

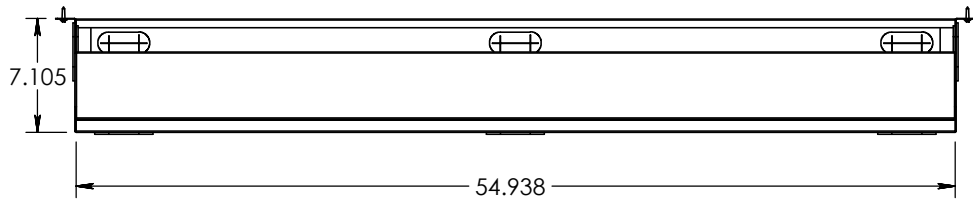
**PROPRIETARY AND CONFIDENTIAL**  
 THE INFORMATION CONTAINED IN THIS  
 DRAWING IS THE SOLE PROPERTY OF  
 K&A MANUFACTURING. ANY  
 REPRODUCTION IN PART OR AS A WHOLE  
 WITHOUT THE WRITTEN PERMISSION OF  
 K&A MANUFACTURING IS PROHIBITED.



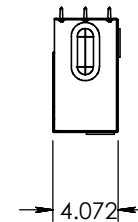
TOP VIEW



ISOMETRIC VIEW



FRONT VIEW



RIGHT VIEW

DRAWING NUMBER: XWMB72	
DESCRIPTION: WIRE MANAGEMENT BOX	
MATERIAL: XX Ga.	
DATE: 5/16/2017	
PAGE 4 OF 4	WEIGHT: 1.96


  
 ergonomic products
   
**K&A MANUFACTURING**
  
 6703 ZINSER ST., SCHOFIELD, WI 54476
   
 PHONE: 800.298.4351 FAX: 866.882.9475
   
[www.raproducts.com](http://www.raproducts.com)

REVISION HISTORY		
REV.	DESCRIPTION	DATE

**TOLERANCES:**

.xx = ± .03  
 .xxx = ± .015  
 Angles = ±1°

ALL PARTS MUST BE CLEAN!  
 VALUES AND DIMENSIONS  
 ARE IN INCHES UNLESS  
 OTHERWISE NOTED.

**PROPRIETARY AND CONFIDENTIAL**  
 THE INFORMATION CONTAINED IN THIS  
 DRAWING IS THE SOLE PROPERTY OF  
 K&A MANUFACTURING. ANY  
 REPRODUCTION IN PART OR AS A WHOLE  
 WITHOUT THE WRITTEN PERMISSION OF  
 K&A MANUFACTURING IS PROHIBITED.