

**PRINT APPROVAL**

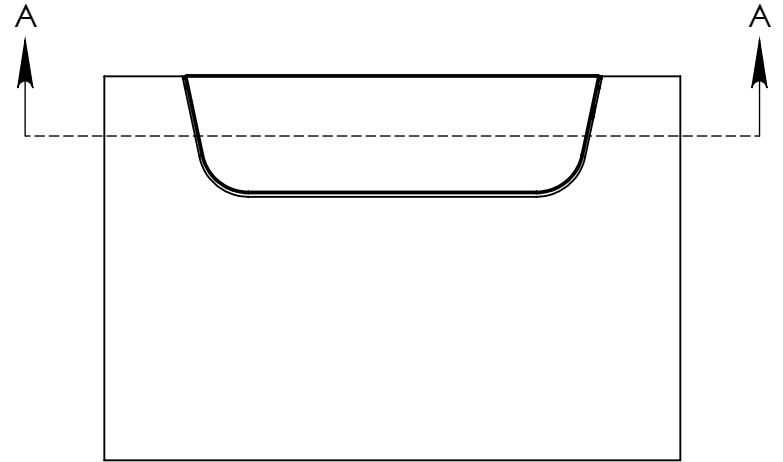
- Order will be held pending print approval.  
 - If revisions are required, please do not sign,  
 note changes and return. Allow 24 hours for revised prints.

Approved by: \_\_\_\_\_

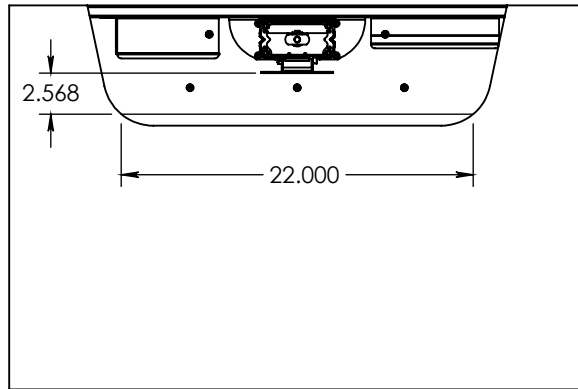
Date: \_\_\_\_\_  
 My signature on the print indicates my approval of  
 design and dimensions as shown, and I authorize  
 the preparation of orders.

**ORDER DETAILS**

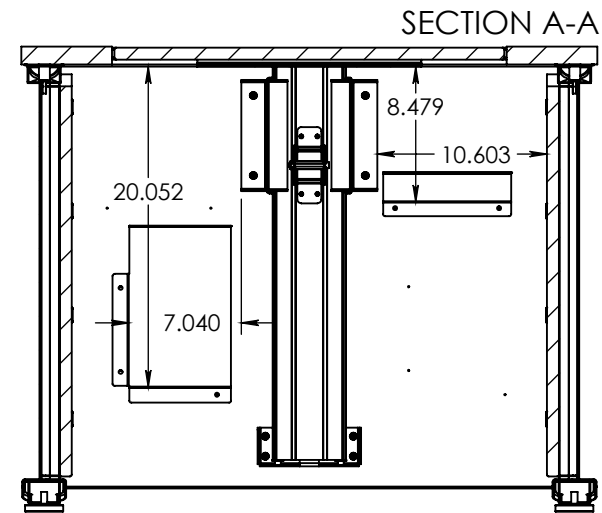
QTY: \_\_\_\_\_  
 PO# \_\_\_\_\_  
 SO# \_\_\_\_\_



MAX MONITOR HEIGHT - 13.750



TOP VIEW - MONITOR SIZE LIMITS



FRONT SECTION VIEW  
 KEYBOARD / MOUSE LIMITS

DRAWING NUMBER: RHVBS243624	
DESCRIPTION: XXXXXXXXXXXX	
MATERIAL: XX Ga.	
DATE: 5/1/2019	
PAGE 1 OF 1	WEIGHT: 101.23

**rightangle™**  
 ergonomic products  
**K&A MANUFACTURING**  
 6703 ZINSER ST., SCHOFIELD, WI 54476  
 PHONE: 800.298.4351 FAX: 866.882.9475  
 www.raproducts.com

REVISION HISTORY		
REV.	DESCRIPTION	DATE

**TOLERANCES:**  
 .xx = ± .03  
 .xxx = ± .015  
 Angles = ±1°

ALL PARTS MUST BE CLEAN!  
 VALUES AND DIMENSIONS  
 ARE IN INCHES UNLESS  
 OTHERWISE NOTED.

**PROPRIETARY AND CONFIDENTIAL**  
 THE INFORMATION CONTAINED IN THIS  
 DRAWING IS THE SOLE PROPERTY OF  
 K&A MANUFACTURING. ANY  
 REPRODUCTION IN PART OR AS A WHOLE  
 WITHOUT THE WRITTEN PERMISSION OF  
 K&A MANUFACTURING IS PROHIBITED.