

HOVER

SERIES WM

 healthcare



Hover WM
HWMV

HOVER WM Wall Mount Value System

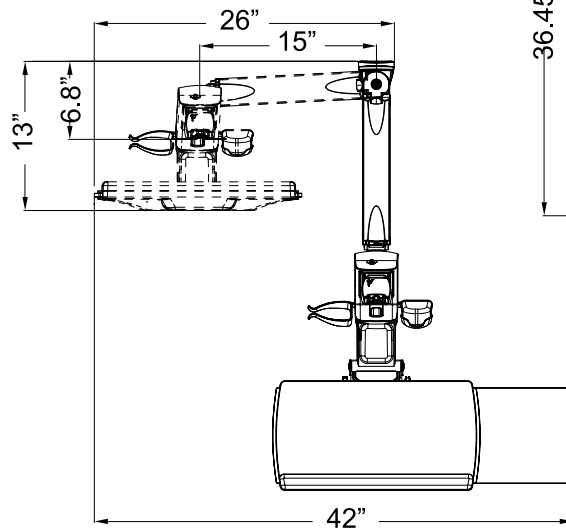
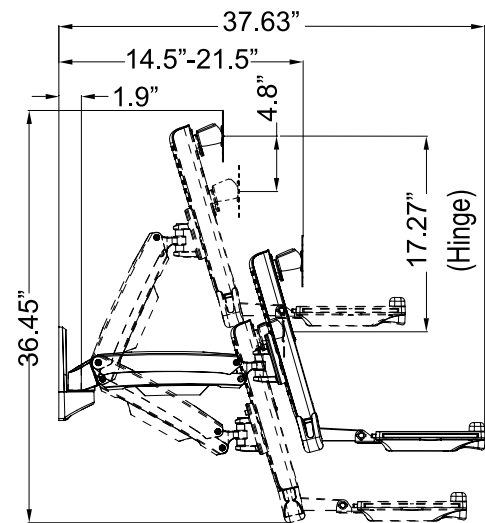
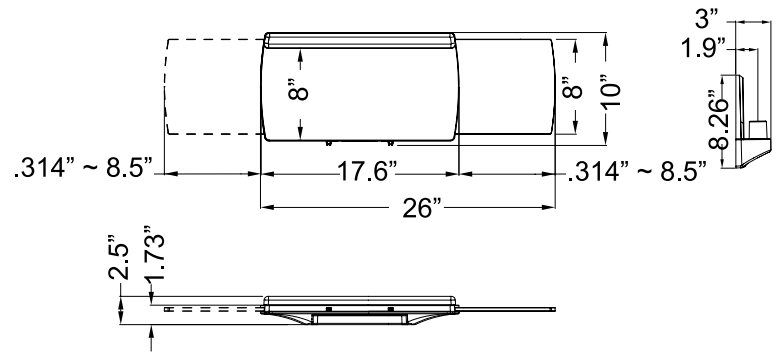
The entire system folds back to the wall to save space when not in use.

Features:

- Wall mount system
- Foldable keyboard tray
- Height and tilt adjustment for screen and keyboard
- Torque adjust for tilt and arm height adjustment
- Optional inside wall track with cable management



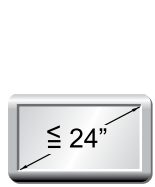
SPECIFICATIONS	
VESA Mounting Pattern	100 X 100 / 75 X 75 mm
Material	Steel / Plastic / Aluminum
Dimension (W*H*D)	37.64" x 36.46" x 13.11"
Weight (Net)	20.42 lbs.
Swivel (Hinge)	+/- 90°
Tilt (Hinge)	-5 ~ 35°
Tilt (Arm)	+ 65° / - 30°
Tilt (Keyboard)	0 ~ 90°
Support Weight (Stand)	4.4 ~ 17.7 lbs.
Support Weight (Keyboard)	5.6 lbs.
Support Flat Panel Size	≤ 24"
Rotate (Pivot)	360°
Extended Arm Provided	One
Height Adjustment Range (Stand/Arm)	4.88" / 17.27"
Max. Working Space	449*207mm for keyboard



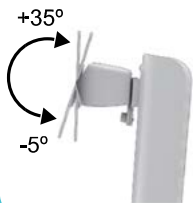
Optional Wall Track



HWMVR34
Rail / Cable
Management (34")



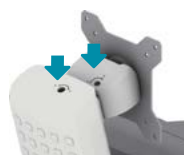
Screen



Hinge Tilt



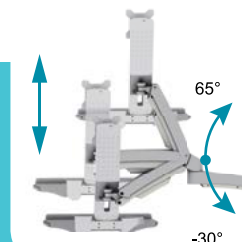
Cable
Management



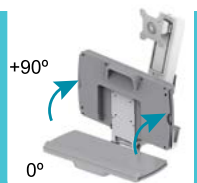
Torque
Adjustment



Height Adjust



Arm Tilt



Keyboard Tilt