

# Helium



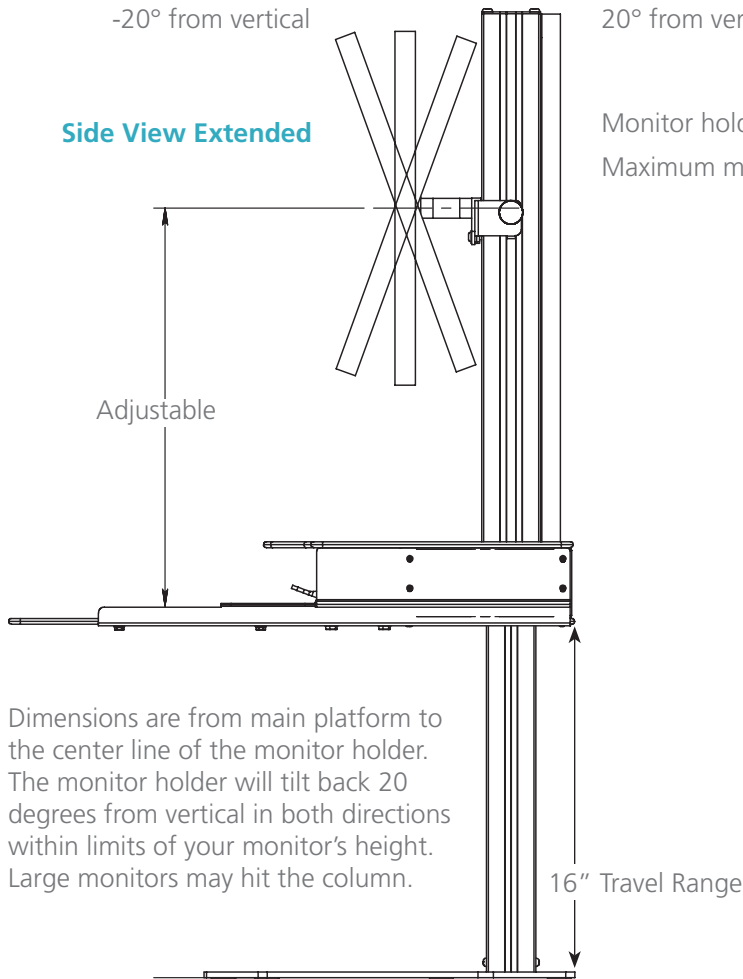
## Helium Desk Top Base Dual Monitor

- Effortless sit-to-stand functionality with clean design
- Innovative gas/counterbalance mechanism which locks into position for stability
- Quickly and easily adapts to changing height adjustable preferences
- Column wire management included
- Height adjustable monitor bracket includes VESA mounting plate
- No clamp or grommet needed
- Heavy steel base for stability
- Maximum Lifting Capacity: 12-30 pounds
- Works in corner applications
- Travel Range: 16"
- Tilts/turns 90°
- Product Weight: 47 lbs.
- Five year warranty



*Bottom base plate design is slightly different than pictured (see bottom view on back)*





Monitor holder is adjustable up or down on the column  
 Maximum monitor width: 25"

Dimensions are from main platform to the center line of the monitor holder. The monitor holder will tilt back 20 degrees from vertical in both directions within limits of your monitor's height. Large monitors may hit the column.

