

HOVER

SERIES WM

 healthcare

HOVER WM CPU Holders

Contemporary Style

Each unit designed for optimal access and stability to ensure equipment remains secure.

Installs in Minutes

Ships pre-assembled, resulting in minimal after sale installation costs and reduced "down time" for critical care areas.

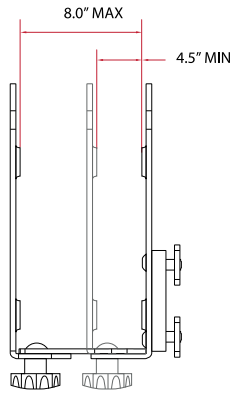
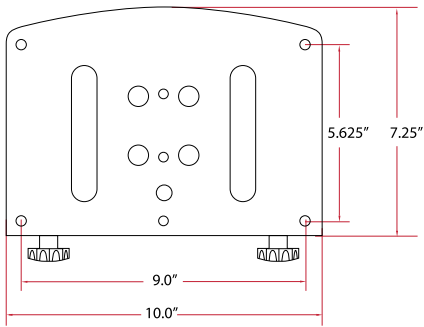
Built to last

Manufactured in the USA with a commitment to quality, long term reliability and environment friendly.

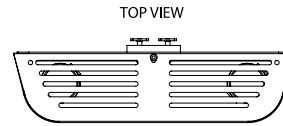
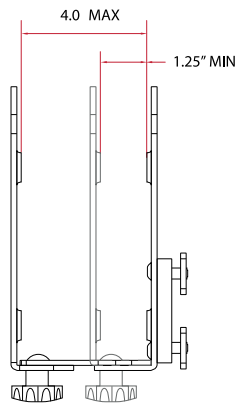
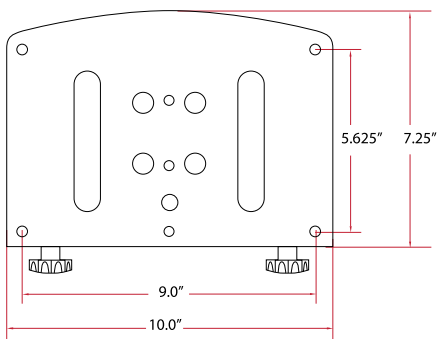
Ships in three to four weeks



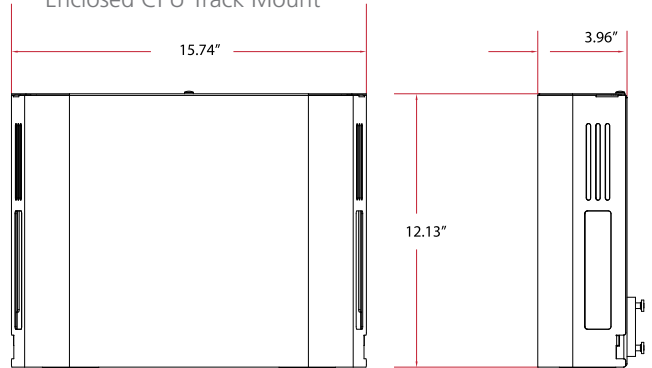
HWMCPUSC
Standard Track Mount CPU Cradle



HWMCPUUTC
Ultra Thin Track CPU Cradle



HWMCPUE
Enclosed CPU Track Mount



Model	Description	Width Adjustment
HWMCPUUTC	Ultra Thin Track CPU Cradle	1.25" - 4"
HWMCPUSC	Standard Track Mount CPU Cradle	4.5" - 8"
HWMCPUE	Enclosed CPU Track Mount	4" - 5.5"

Outside dimensions listed.
The openings on the side of the unit are for the electrical connection.



You might also like...



Track CPU Cradle



Extension Arm



Steel Pivot Limiter



Enclosed CPU Track Mount