

HOVER SERIES 2

 ergonomics



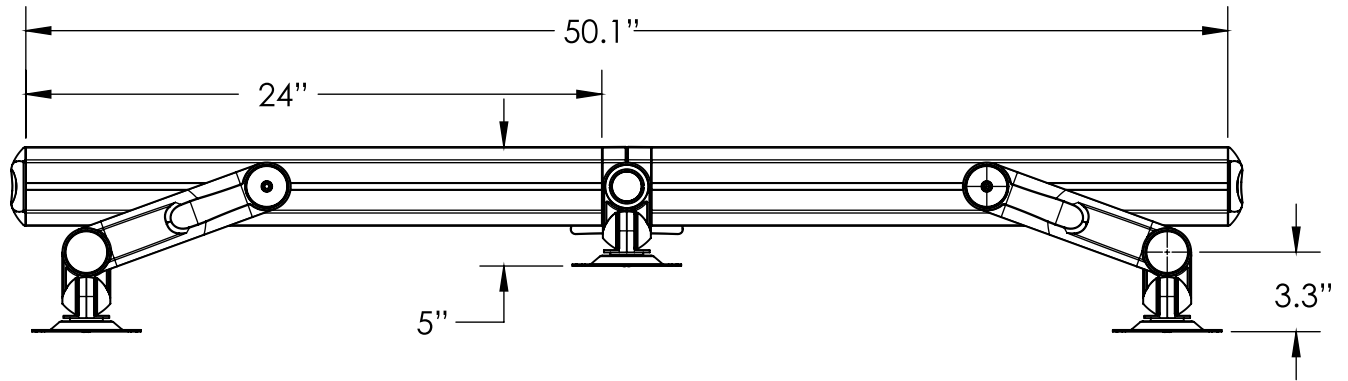
Hover Monitor Rail - Three Single Monitors, HSCQ13

Features

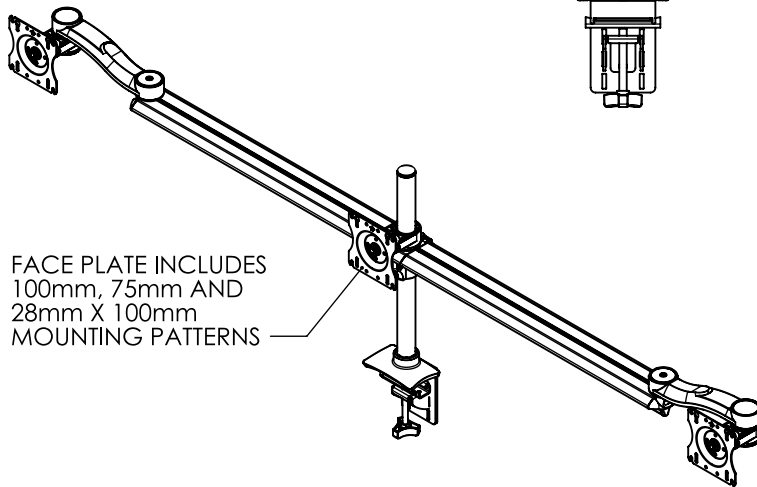
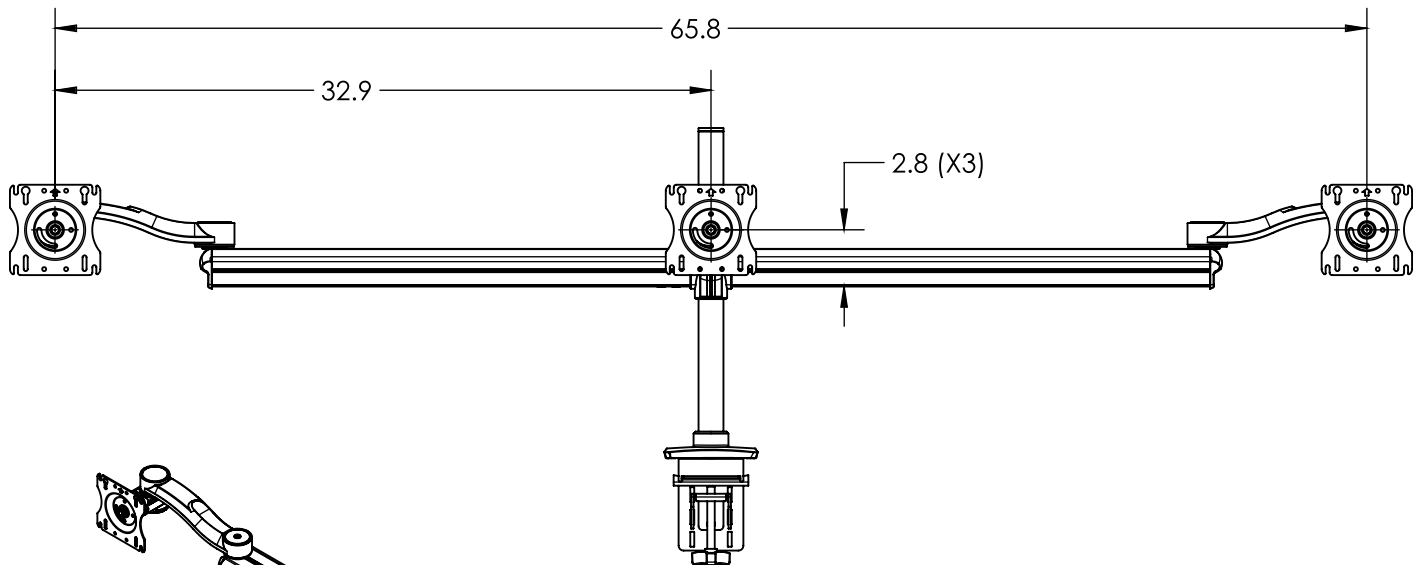
- Supports a 20 pound load capacity per screen
- Flexibility and more options for the end user with a simple, easy-to-use Allen wrench adjustment
- Desk clamp and grommet mount hardware are included
- Clamp and grommet adjustable to fit most desks and work surfaces
- Monitor mounting bracket, with Quick-Connect, contains 75mm and 100mm hole patterns to comply with VESA standards
- Maximum monitor width 32.9"
- Comes with 16.6" pole subassembly and 48" beam kit (two 24" beam sections)
- Pole allows for manual height adjustment

Available Colors:

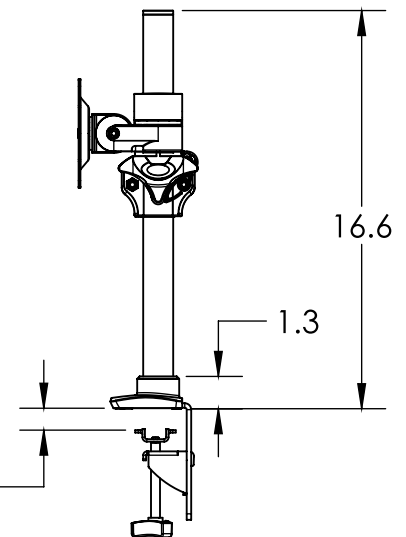




MAXIMUM MONITOR WIDTH = 32.9"



FACE PLATE INCLUDES
100mm, 75mm AND
28mm X 100mm
MOUNTING PATTERNS



CLAMP RANGE
0 TO 2.6

Available Colors:

