

HOVER

ra ergonomics

Dual Monitor Arm Handle with Crossbar

- Control your dual monitors as a whole unit with **one touch point**.
- Minimal installation, **mounts in seconds**.
- **Easily retrofit** to dual monitor arm model **HSGHD** without the need to un-install your monitors.
- **Ergonomic and functional**, allows the arm to be easily moved up/down and front back.
- **Standard Position** - handle installed at the bottom of the arm.
- **Over-Mount Position** - handle mounted at the top of the arm. For progressive lens users, which need the screens to go all the way down.



Available Colors



54282W
White



54282S
Silver



Over-Mount
Position

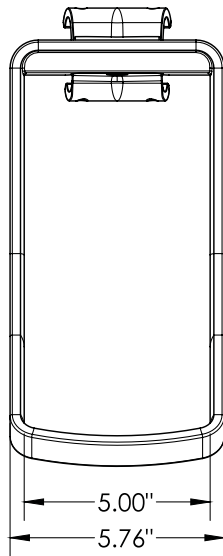
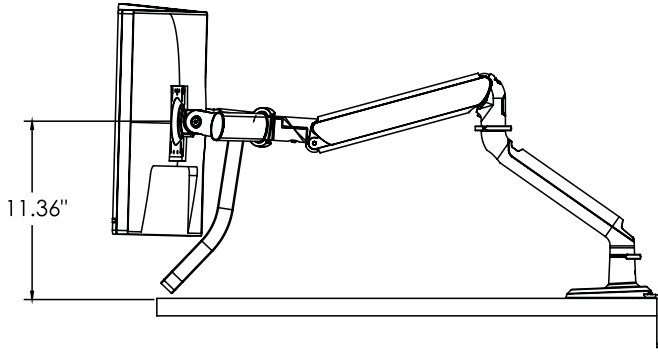
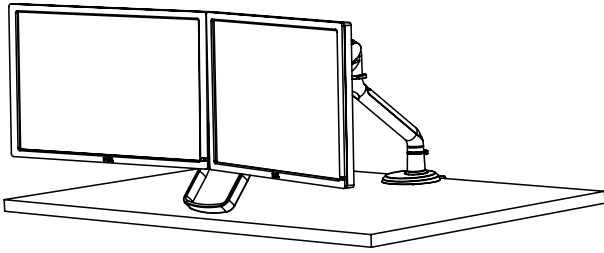
Standard
Position



Hover Gas
Dual Monitor
Arm HSGHD



Standard Position



Over-Mount Position

(Recommended for users of progressive lenses)

