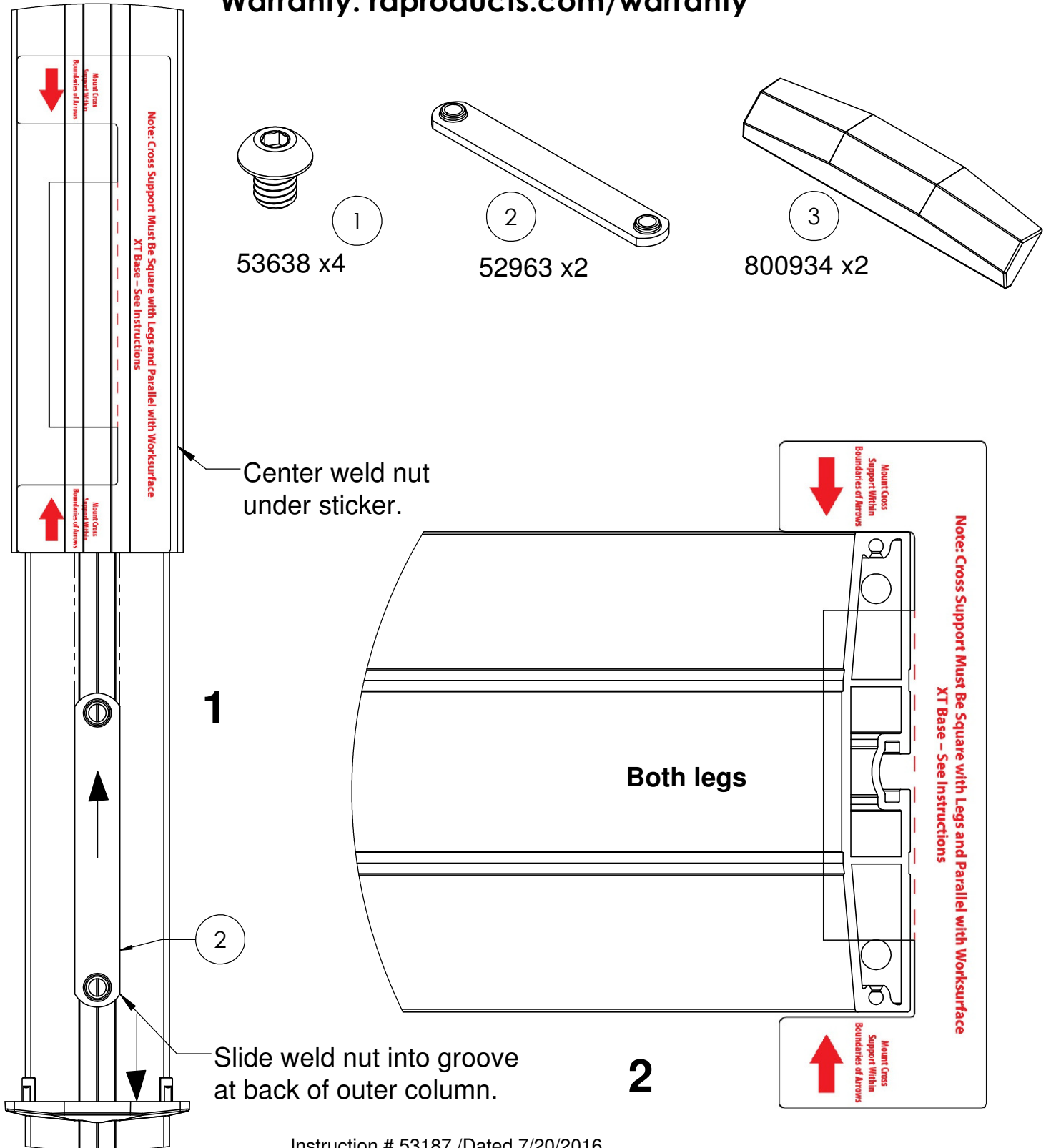




XT Optional Cross Support Desk Side

Warranty: raproducts.com/warranty



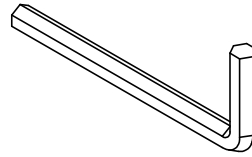


Power Driver with Adjustable Torque



3/16" Hex Head Driver Bit

or



3/16" Allen Wrench

