



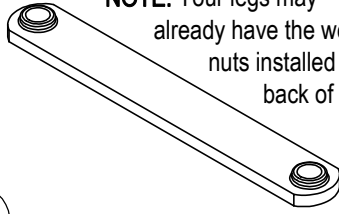
Optional Cross Support Return Side
Warranty: raproducts.com/warranty

NOTE: Your legs may already have the weld nuts installed into the back of the legs.



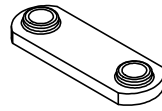
1

53638 x6



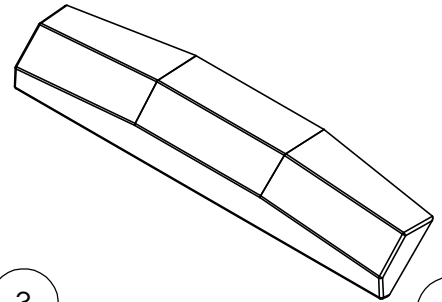
2

52963 x1



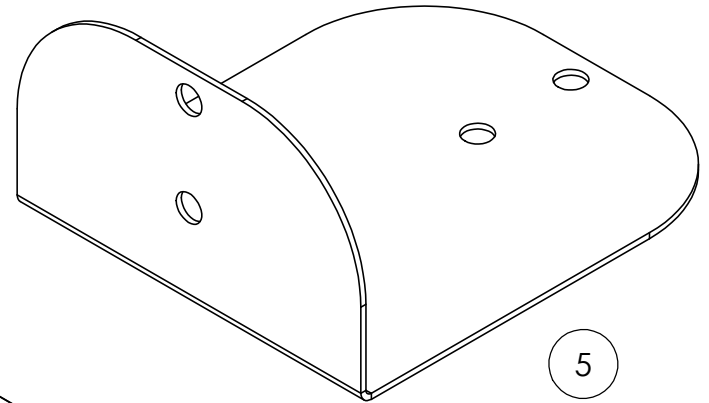
3

50194 x2



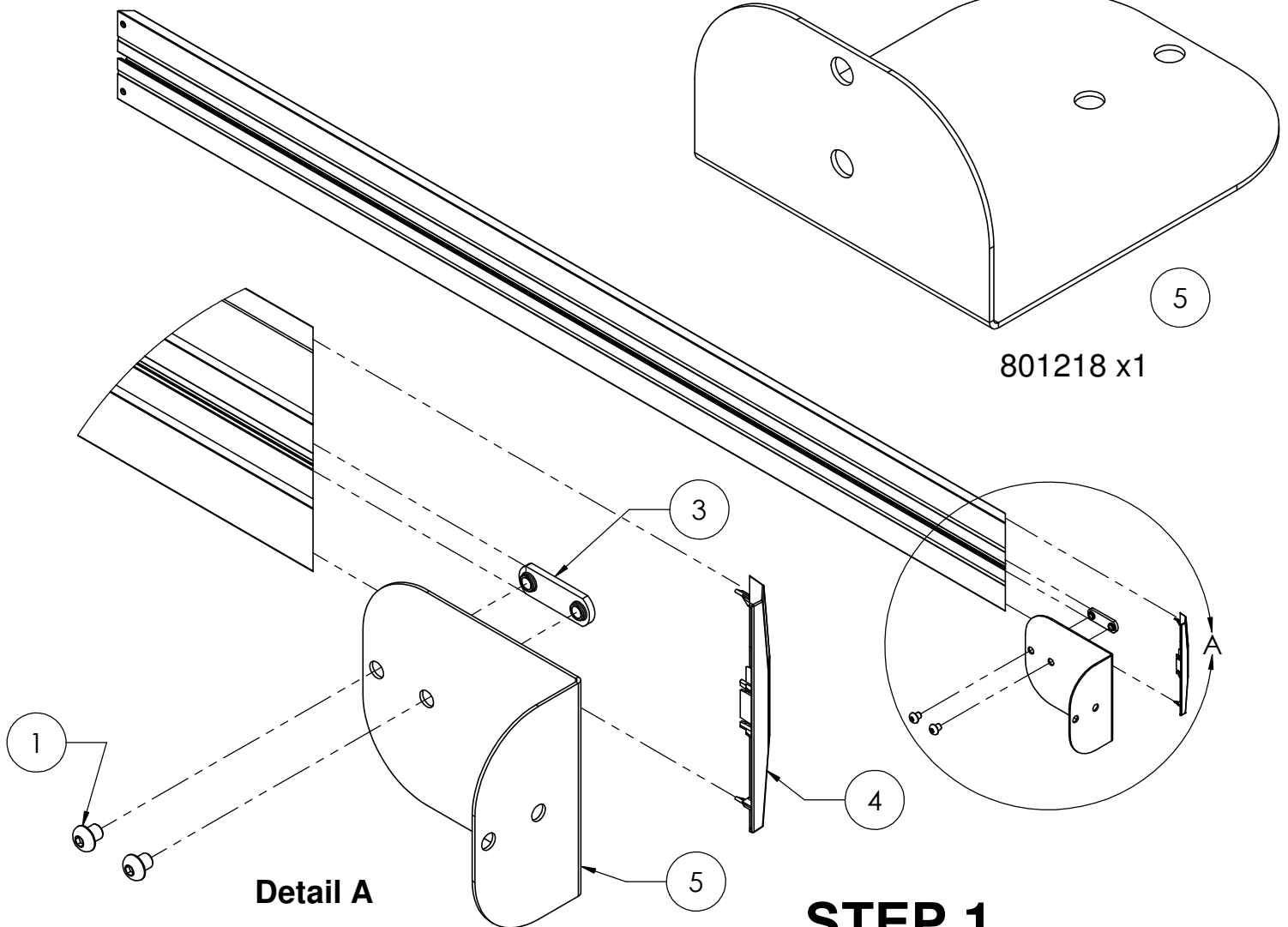
4

800934 x1



5

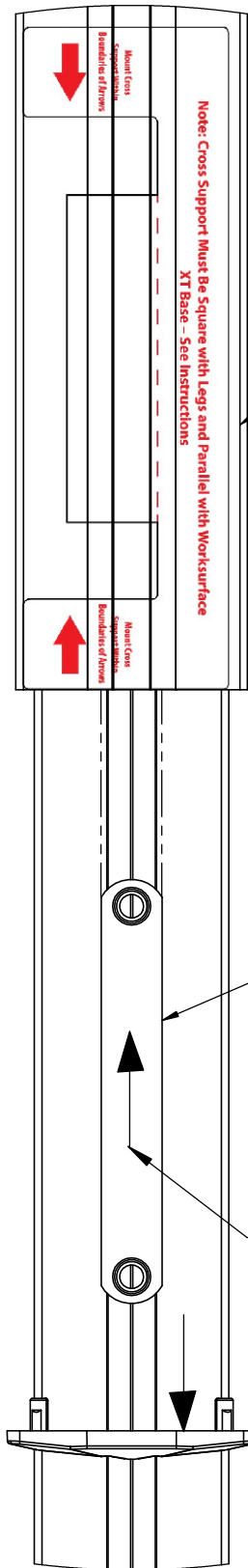
801218 x1



Detail A

STEP 1

Build as a Subassembly

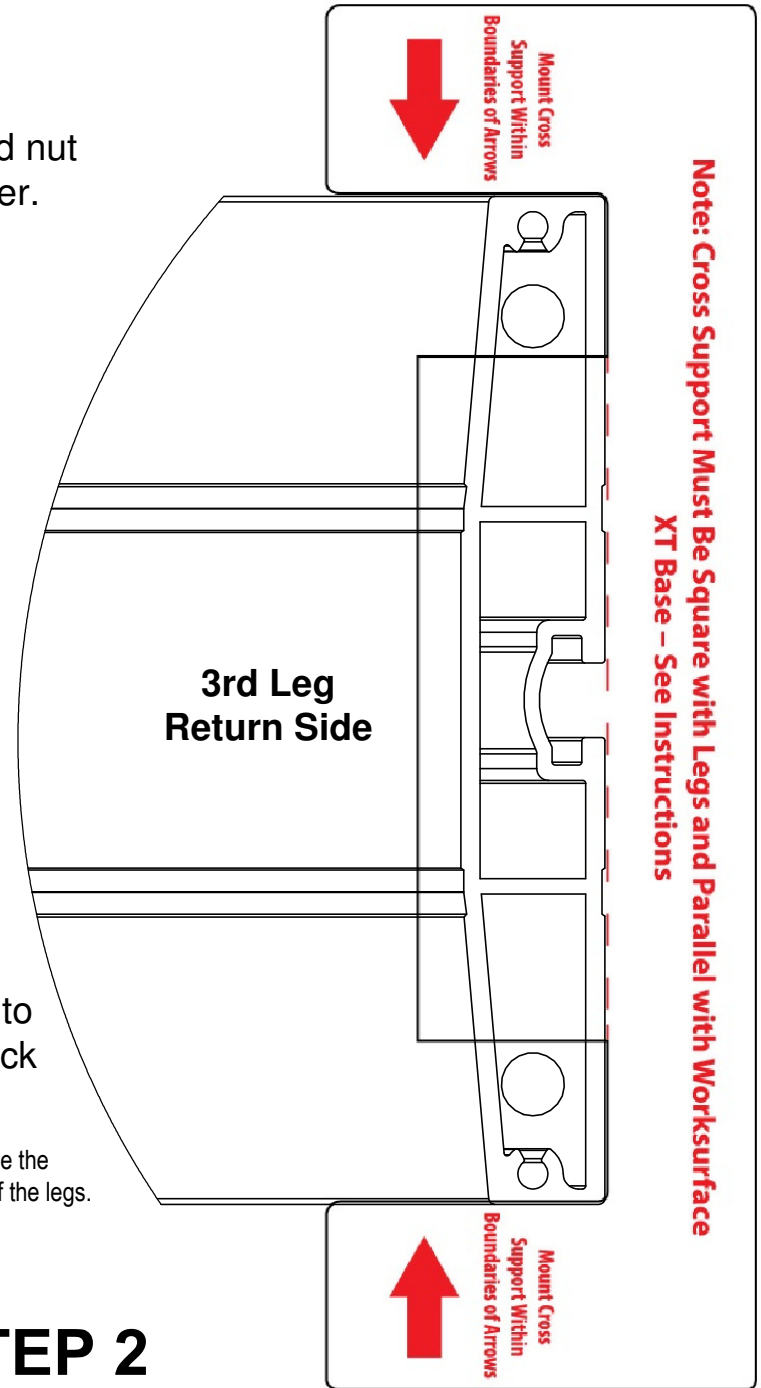


Center the weld nut under the sticker.

Slide the weld nut into the groove at the back of the outer column.

NOTE: Your legs may already have the weld nuts installed into the back of the legs.

STEP 2



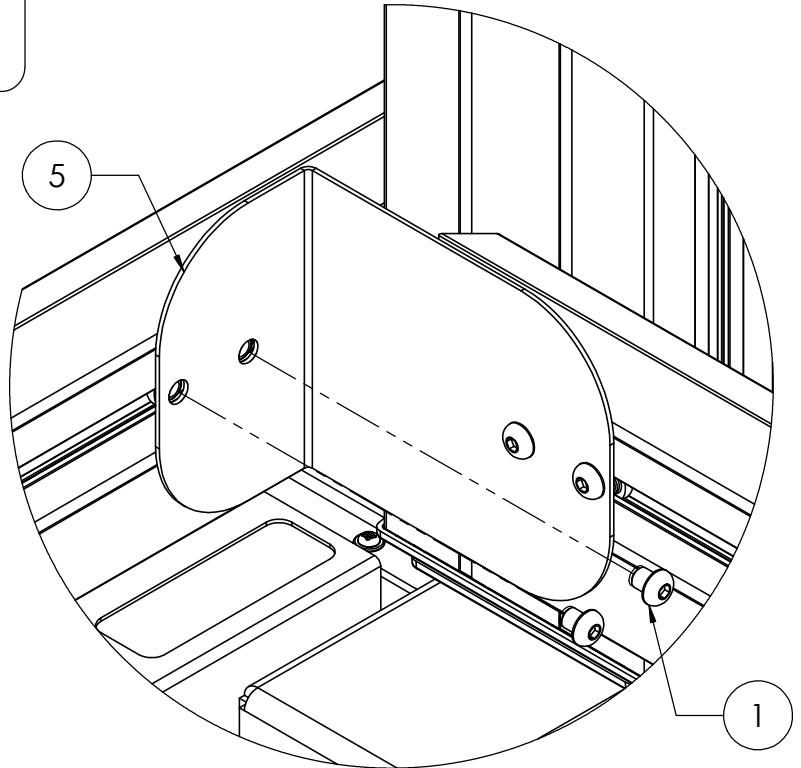
3rd Leg Return Side



Power Driver with Adjustable Torque



3/16" Hex Had Driver Bit or 3/16" Allen Wrench



Detail B

STEP 3

