



K&A Manufacturing
 6703 Zinser Street Schofield, WI 54476
 Phone: 800.298.4351
 Fax: 866.882.9475
 www.raproducts.com

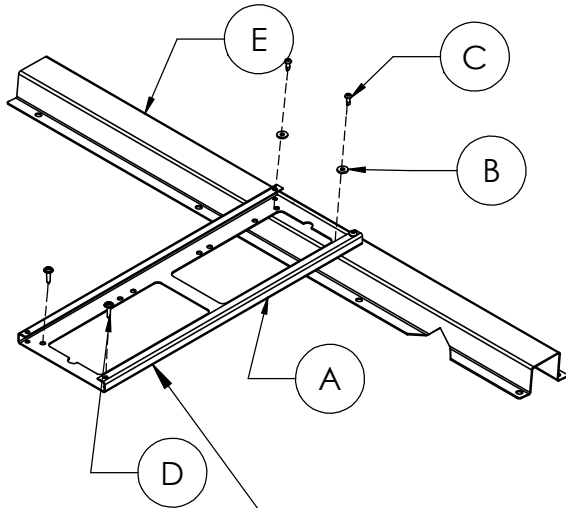
Instructions To Install a Track on a Series 4 LT Workstation:

Step 1: Place the front of the track **A** against the bottom of the worksurface and the back of the track against the u-channel.

Step 2: Align the holes in the track **A** with one set of pilot holes in the u-channel **E** keeping the front of the track 1/8"-5/8" from the front of the worksurface. Place (2) washers **B** on (2) self drilling screws **C**. Drive them through the track and into the u-channel.

Step 3: Attach the front of the track **A** to the worksurface using (2) wood screws **D**. Do not over-tighten the screws. Use a low torque setting on the power driver.

Step 4: Complete the installation using the instructions that came with the product you are installing.



Note: Track may be at an angle when installation is finished.

ITEM #	PART #	DESCRIPTION	QTY.
A	Varies	Track Assembly	1
B	52236	3/16" Aluminum Rivet Washer .198 x .510 x .067	2
C	52678	8-18X1/2 Phillips Pan Self Drill Screw	2
D	51708	M5 x 18mm (7/8") Sq/Ph/Wshr Head Wood Screw	2
E	Varies	LT U-channel	1