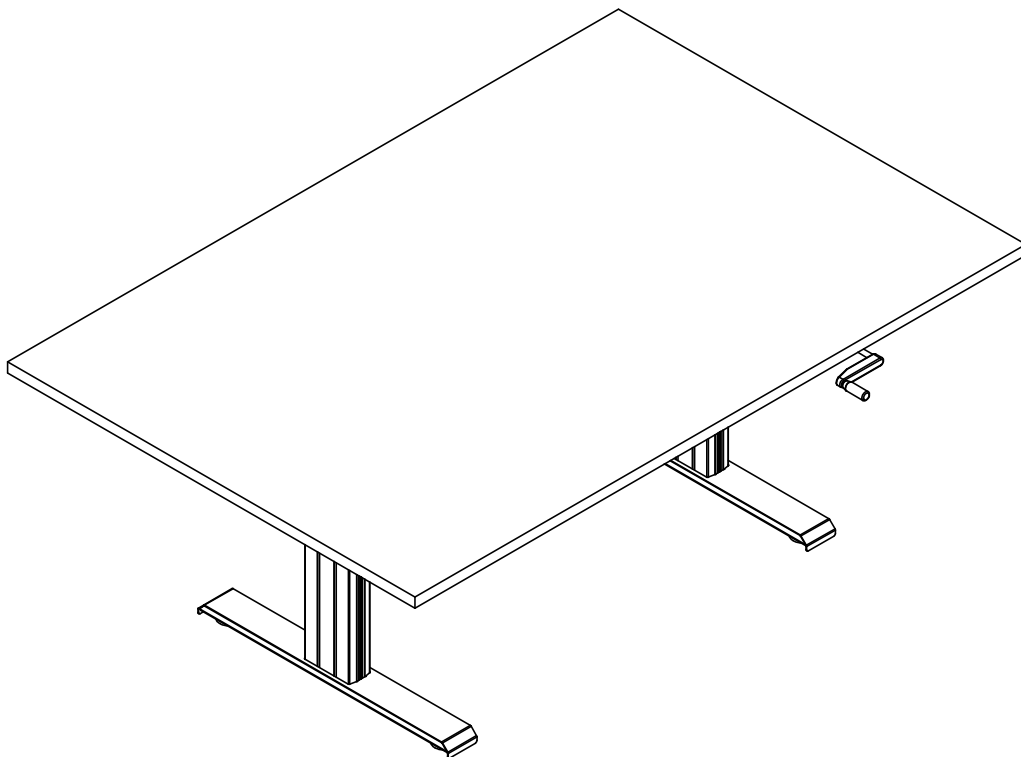




K&A Manufacturing  
6703 Zinser Street  
Schofield, WI 54476  
Phone: 800.298.4351  
Fax: 866.882.9475  
www.raproducts.com  
Version Dated: 7/11/16

## NewHeights™ Series 4 NZP Levante Crank Height Adjustable Conference Table

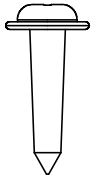


Read all the instructions before beginning.

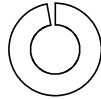


K&A Manufacturing  
 6703 Zinser Street Schofield, WI 54476  
 Phone: 800.298.4351  
 Fax: 866.882.9475  
 www.raproducts.com

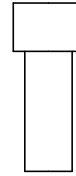
**Tools Required for Assembly:**  
 Power Driver W/Adjustable Torque  
 #2 Phillips Head Driver Bit or  
 #2 Square Head Driver Bit  
 3/16" Hex Head Driver Bit or  
 Allen Wrench  
 Tape Measure  
 Level



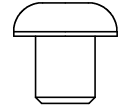
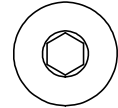
51708 (4)



53013 (7)



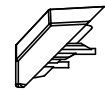
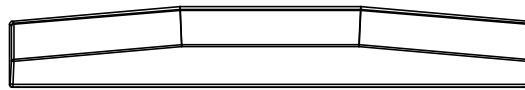
53055 (8)



53638 (12)



801235  
 Half Size (5)

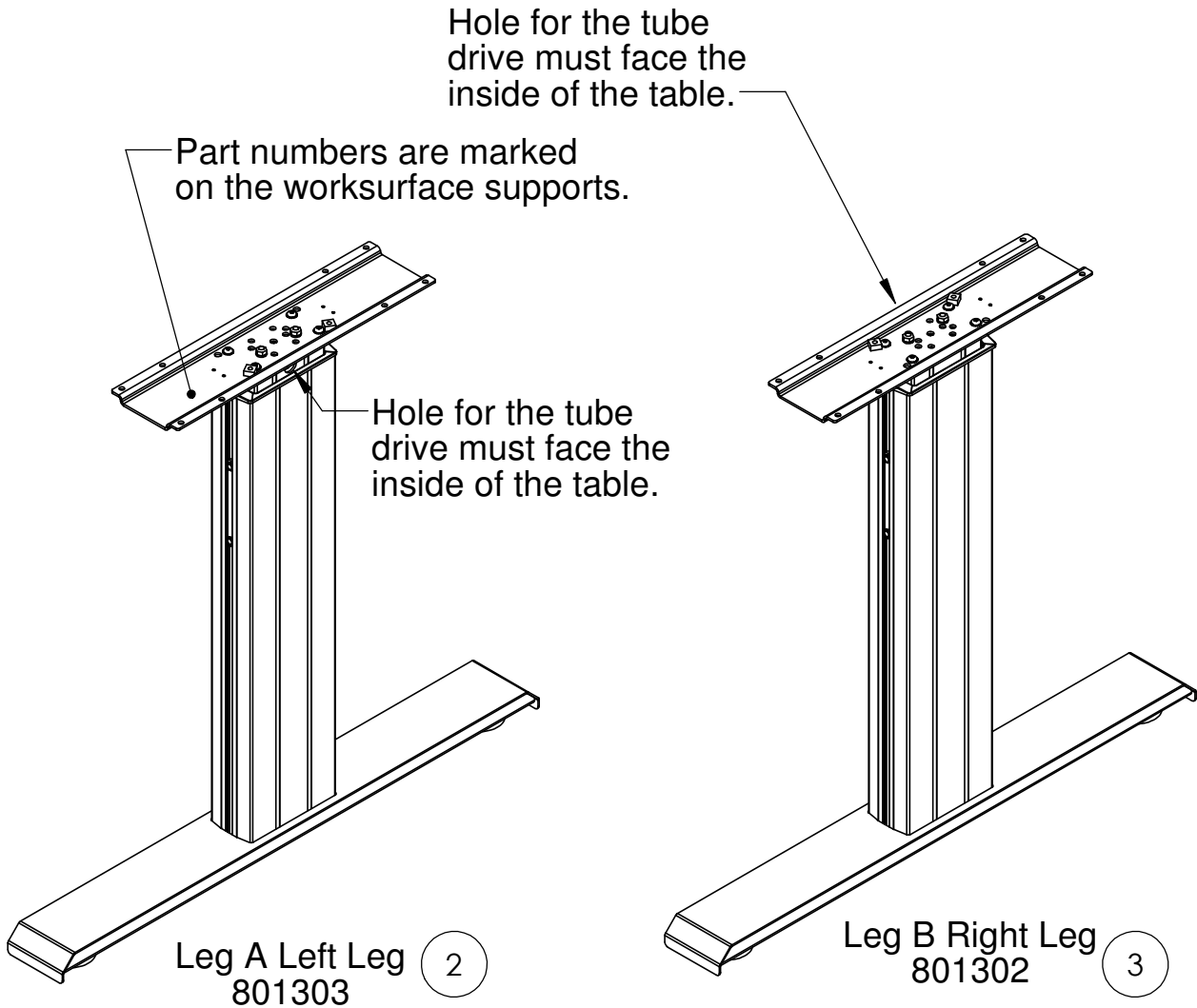


800934  
 Half Size (15)

**Hardware Pack 53433**  
**Hardware Is Drawn Actual Size**

ITEM #	PART #	DESCRIPTION	QTY.
1	Varies	NewHeights Levante Worksurface	1
2	801303	30" Levante Conf Table Left Leg Assembly Leg A	1
3	801302	30" Levante Conf Table Right Leg Assembly Leg B	1
4	51708	M5 x 18mm (7/8") Sq/Ph/Wshr Head Wood Screw	34
5	801235	Tube Leg To Diff. Drive Tube 2.04"	1
6	801247	Series 4 Levante Deflection Gear/Brake/Bracket Assembly	1
7	53013	Split Lock Washer 1/4"	2
8	53055	Socket Head Cap Screw 1/4-20 x 7/16	2
9	Varies	Series 4 Levante Extruded Internal Tooth Profiled Tube	1
10	Varies	Series 4 Crank Handle	1
11	53141	S 4 Crank Handle Clamp	1
12	53638	5/16-18 x 3/8 Button Head Socket Screw	8
13		Not Used	
14	Varies	NewHeights Series 4 Cross Support	2
15	800934	Cross Support End Cap	4
16	Varies	LT U-Channel	1
17	801347	S 4 Crank Bracket Assembly	1

The drawing below shows how to distinguish the left leg A from the right leg B.



**Warranty Information:** NewHeights™ products are warranted to be free of defects due to manufacturing or materials as follows: Three years on the gears, Five years on the support brackets, aluminum columns and feet. We will replace any defective part after inspection by an authorized agent. Costs incurred due to product replacement such as installation labor and transportation are not covered under this warranty. When corresponding with RightAngle™ Products, provide the model and serial numbers located on one of the leg assemblies.



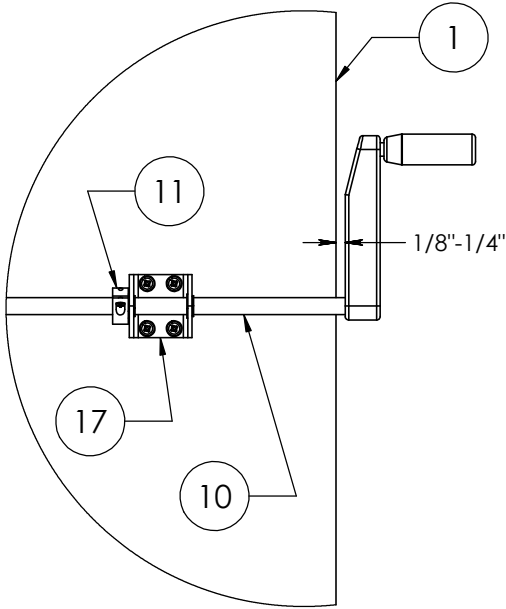
K&A Manufacturing  
 6703 Zinser Street Schofield, WI 54476  
 Phone: 800.298.4351  
 Fax: 866.882.9475  
 www.raproducts.com

**Step 1:** Lay the worksurface **1** on a protected surface with the pilot holes facing up. Align the holes in the crank bracket **17** with the pilot holes in the worksurface. Attach it with (4) wood screws **4**. Do not over-tighten the screws. Use a low torque setting on the power driver.

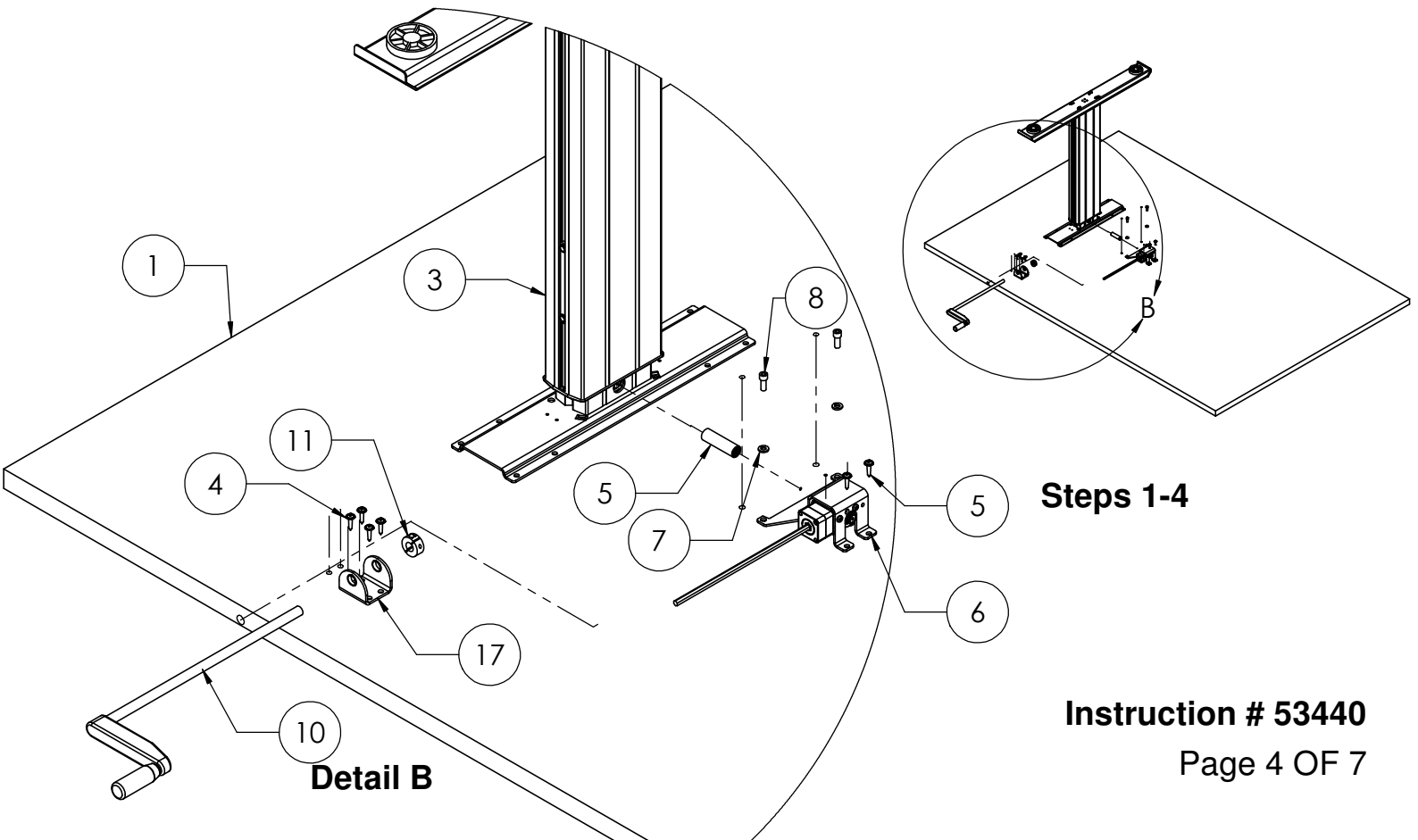
**Step 2:** Place the right leg assembly **3** (Leg B) on the worksurface **1** with the worksurface support facing down. See Page 3 to determine which leg assemblies are right hand and left hand. Insert the short drive tube **5** into the gear drive near the top of the leg assembly. Insert the gear drive on the gear drive assembly **6** into the other end of the short drive tube.

**Step 3:** Place (2) lock washers **7** on (2) socket screws **8**. Insert these through the holes in the gear drive assembly **6**. Thread them into the cage nuts pre-installed in the worksurface support. Hand tighten.

**Step 4:** Place the clamp **11** onto the hex rod on the drive assembly. Slide the leg assembly **3** forward guiding the hex rod on the gear drive assembly **6** through the bracket assembly **17**. Align the holes in the worksurface support with the pilot holes in the worksurface **1**. Slide the crank handle through the bracket assembly and onto the hex rod on the gear assembly. Set it at 1/8"-1/4" from the edge of the worksurface. See Detail A. Slide the clamp **11** forward against the back of the bracket assembly and tighten the screw.



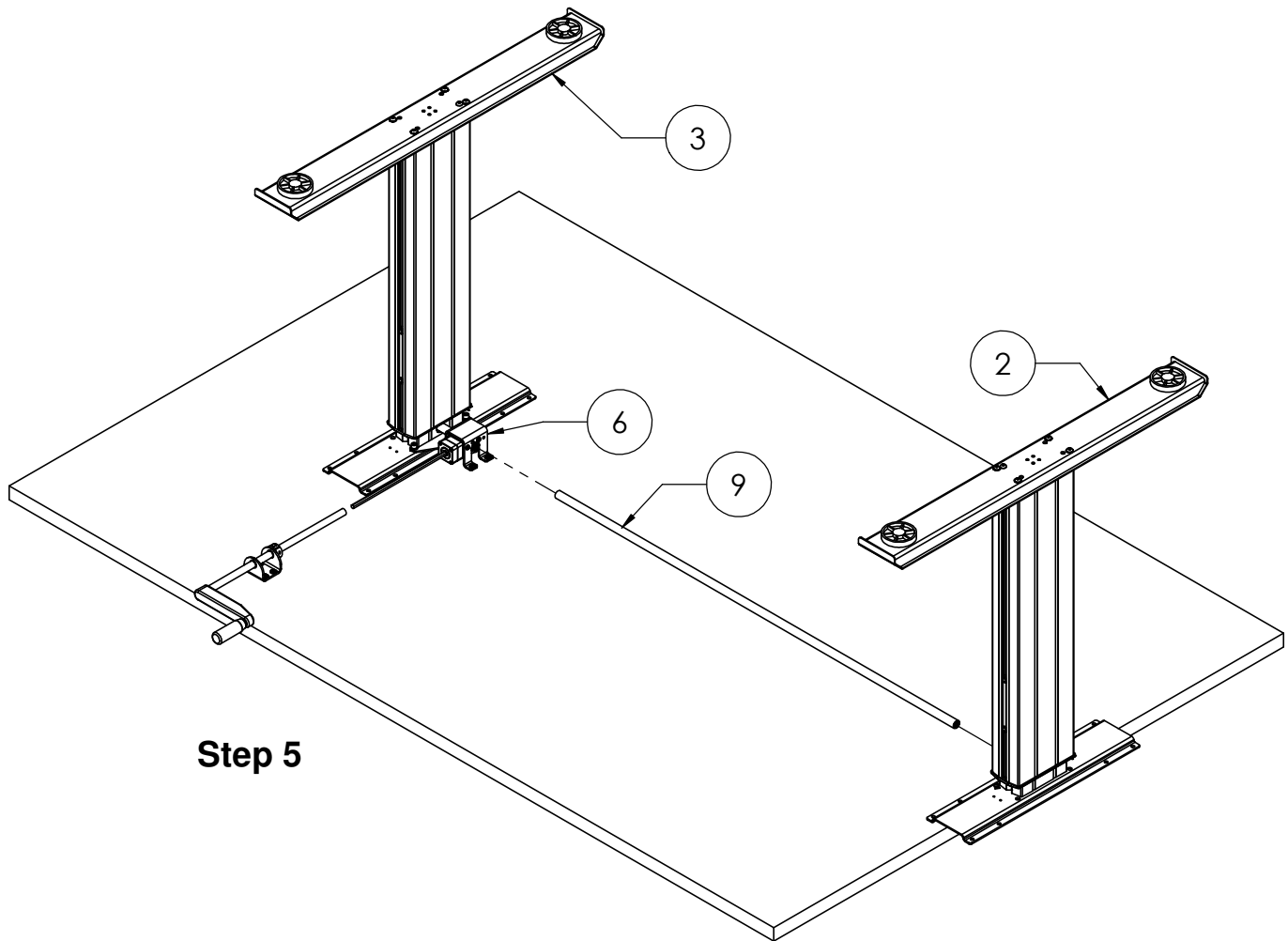
**Detail A**



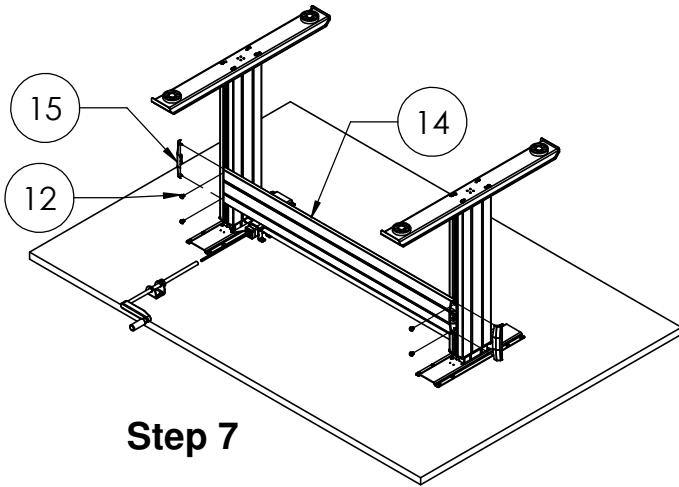
**Steps 1-4**

**Detail B**

**Step 5:** Slide one end of the main drive tube **9** onto the gear drive on the gear drive assembly **6**. Place the left leg assembly **2** (Leg A) on the worksurface **1** guiding the other end of the main drive tube into the gear drive near the top of the leg assembly. Align the holes in the worksurface supports with the pilot holes in the worksurface.

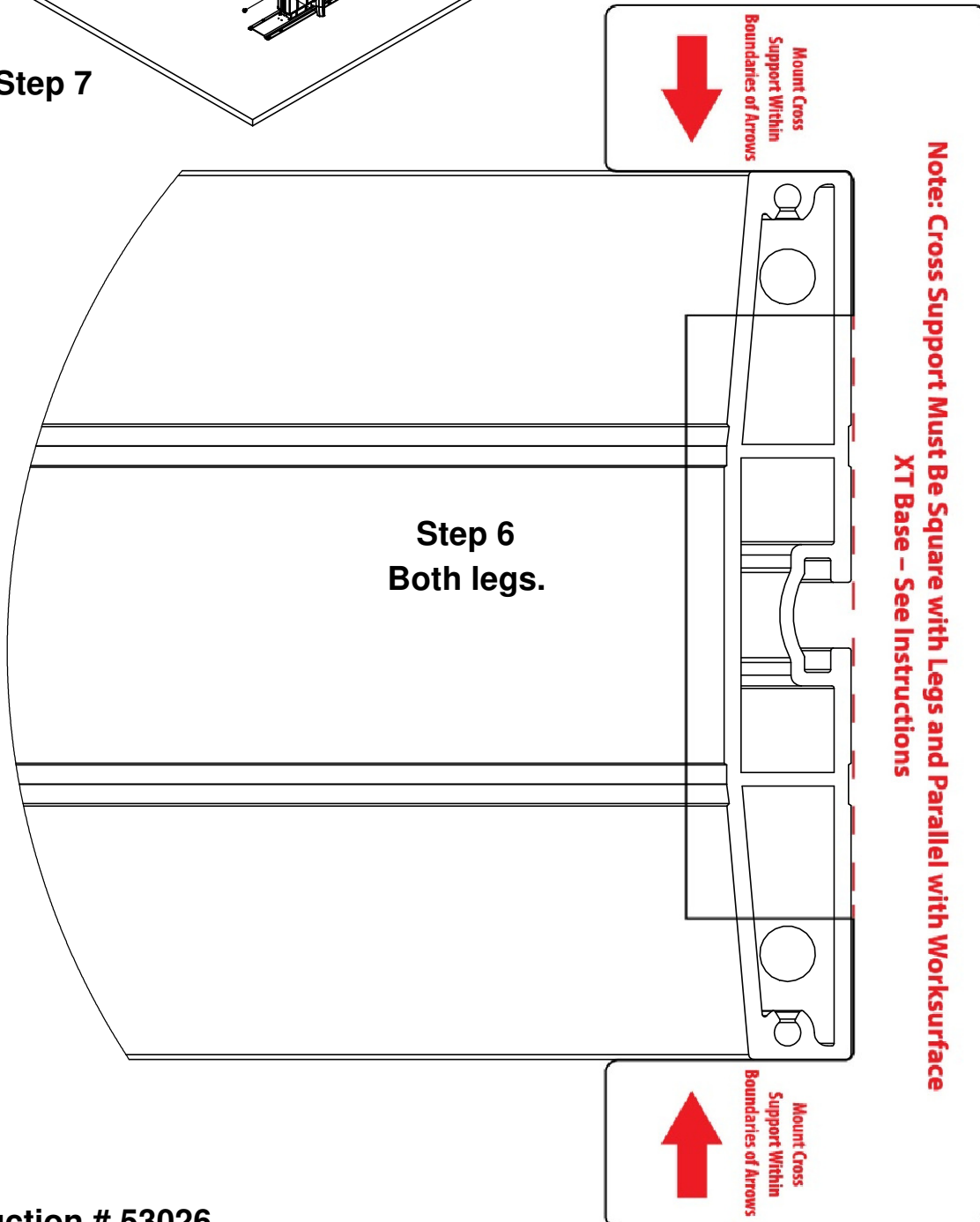


**Step 6:** With the help of an assistant align the cross support **14** with the stickers on both leg assemblies. See below. Insert (4) socket screws **12** through the holes in the ends of the cross support and thread them into the weld nuts that are held in place by the stickers. Do not fully tighten. Check that the cross support is level and parallel to the worksurface. Fully tighten the socket screws. Repeat step 7 with the remaining cross support.



**Step 7**

**Step 7;** Insert (2) end caps **15** into the ends of each cross support.



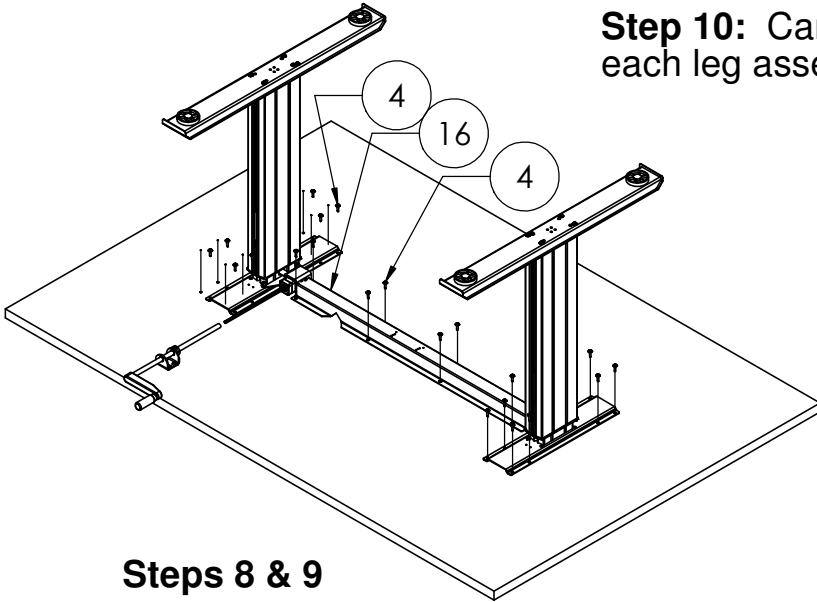


K&A Manufacturing  
6703 Zinser Street Schofield, WI 54476  
Phone: 800.298.4351  
Fax: 866.882.9475  
www.raproducts.com

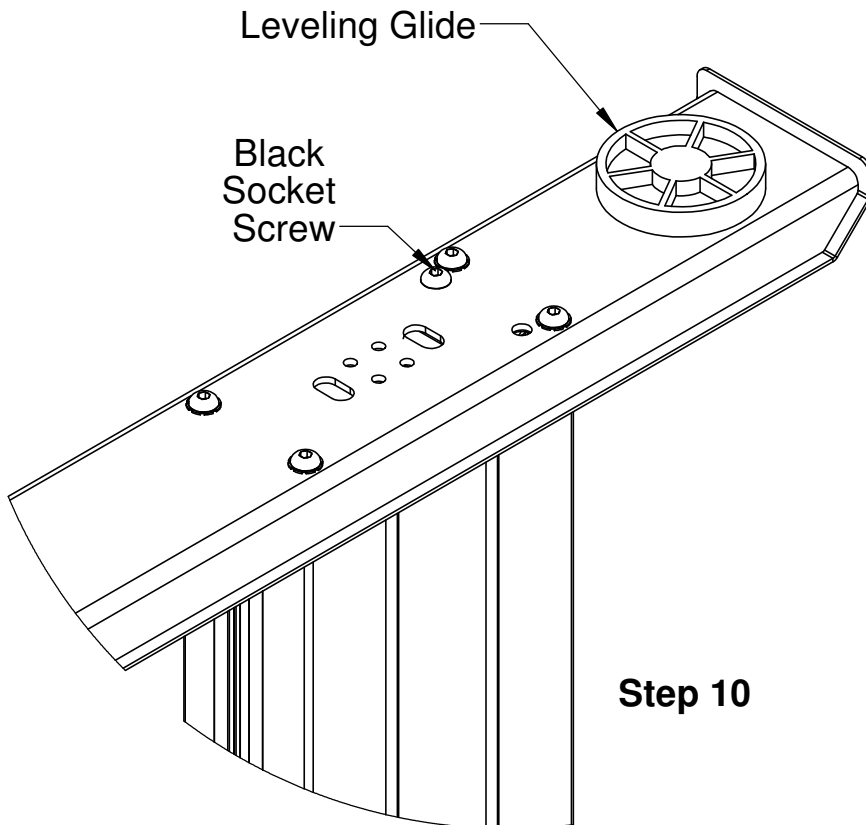
**Step 8:** Attach the leg assemblies **2** and **3** to the worksurface **1** with (16) wood screws **4**. Do not over-tighten the screws. Use a low torque setting on the power driver.

**Step 9:** Align the holes in the u-channel **16** with the pilot holes in the worksurface **1**. Attach the u-channel to the worksurface with (6) to (12) wood screws **4**.

**Step 10:** Carefully remove the black socket screw from each leg assembly. See Detail E. Stand aside in case the components are not properly assembled and attached. This releases the gas assist components inside the leg assemblies. At this point, fully tighten the cap screws holding the gear drive assembly to the worksurface supports. With the help of an assistant, set the workstation upright in its final location. Level the workstation if required by turning the leveling glides clockwise (from the top) on the low corners of the unit. If your workstation has casters, level it by turning the bolts at the top of the casters.



Steps 8 & 9



Step 10

Detail E

**WARNING!** Cylinders inside the leg assemblies are under pressure. Stand clear of leg assemblies when removing the screws in Step 10. Read the instructions thoroughly and complete the assembly before removing the screws.