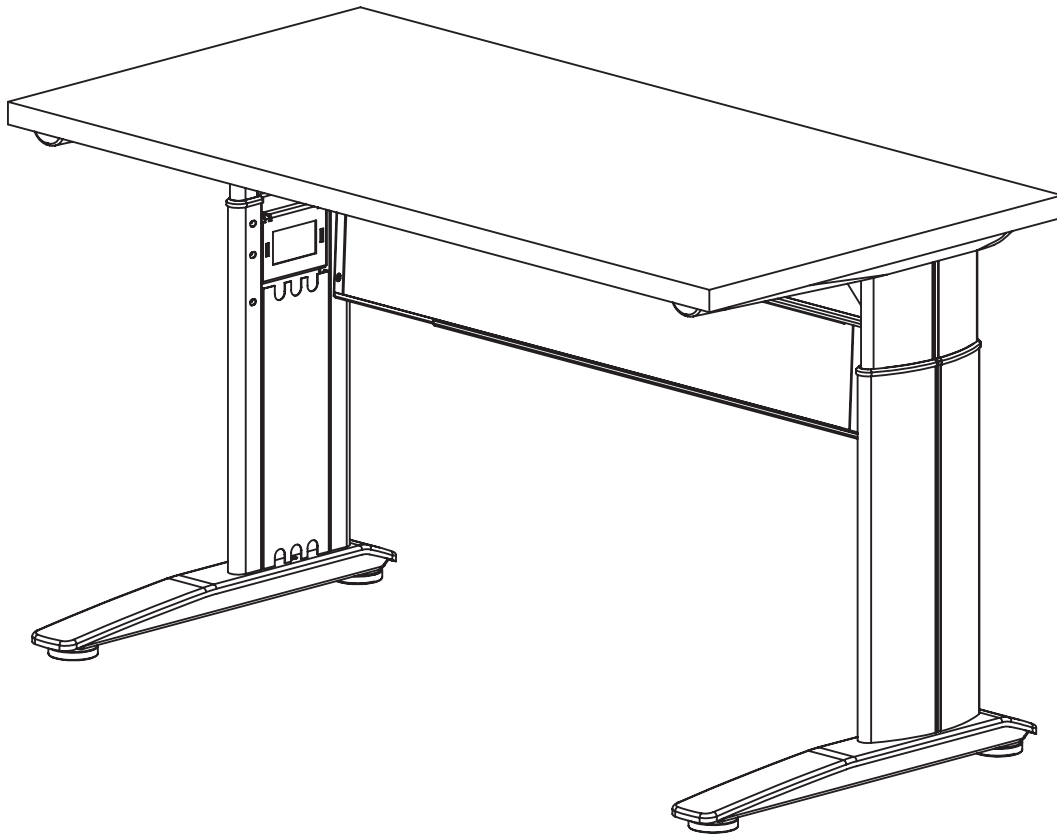




R-Style Screw Height Adjustable Assembly Instructions

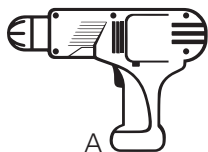
Warranty: raproducts.com/warranty



Tools Required for Assembly

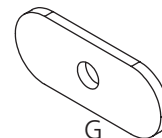
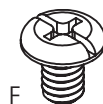
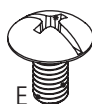
R-Style Screw Height Adjustable 54129

- A. Power Driver with Adjustable Torque
- B. #2 Phillips Head Driver Bit
- C. Level
- D. Tape Measure



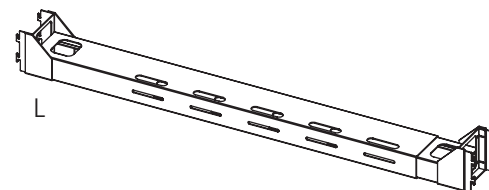
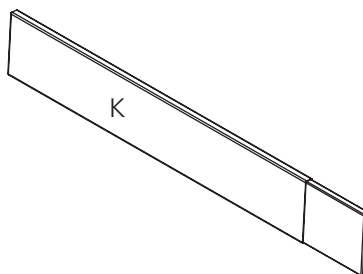
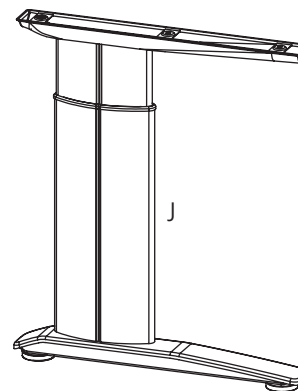
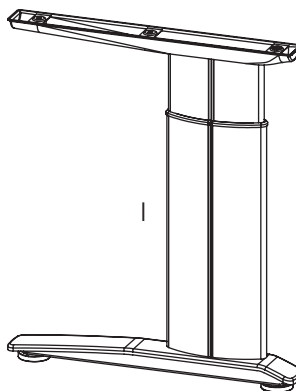
Hardware Included for Assembly (may have extra)

- E. M6 x 1/2" Machine Screw x4
- F. M6 x 9/32" Black Machine Screw x2
- G. 5/64" x 1 3/8" Plate x2
- H. 10 x 5/8" Round Washer Wood Screw x11



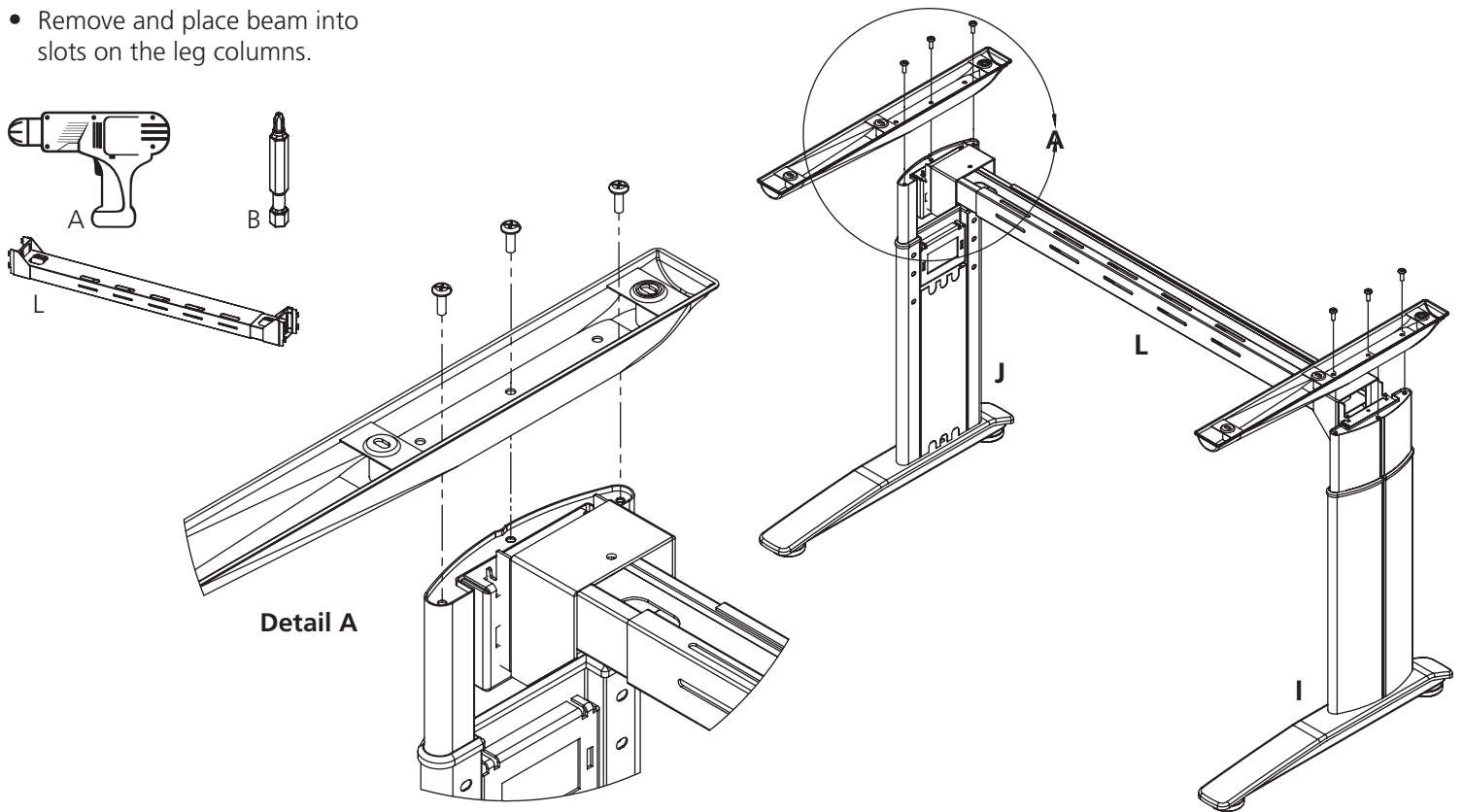
Parts

- I. R-Style Right Leg x1
- J. R-Style Left Leg x1
- K. Stability Panel x1
- L. Beam x1



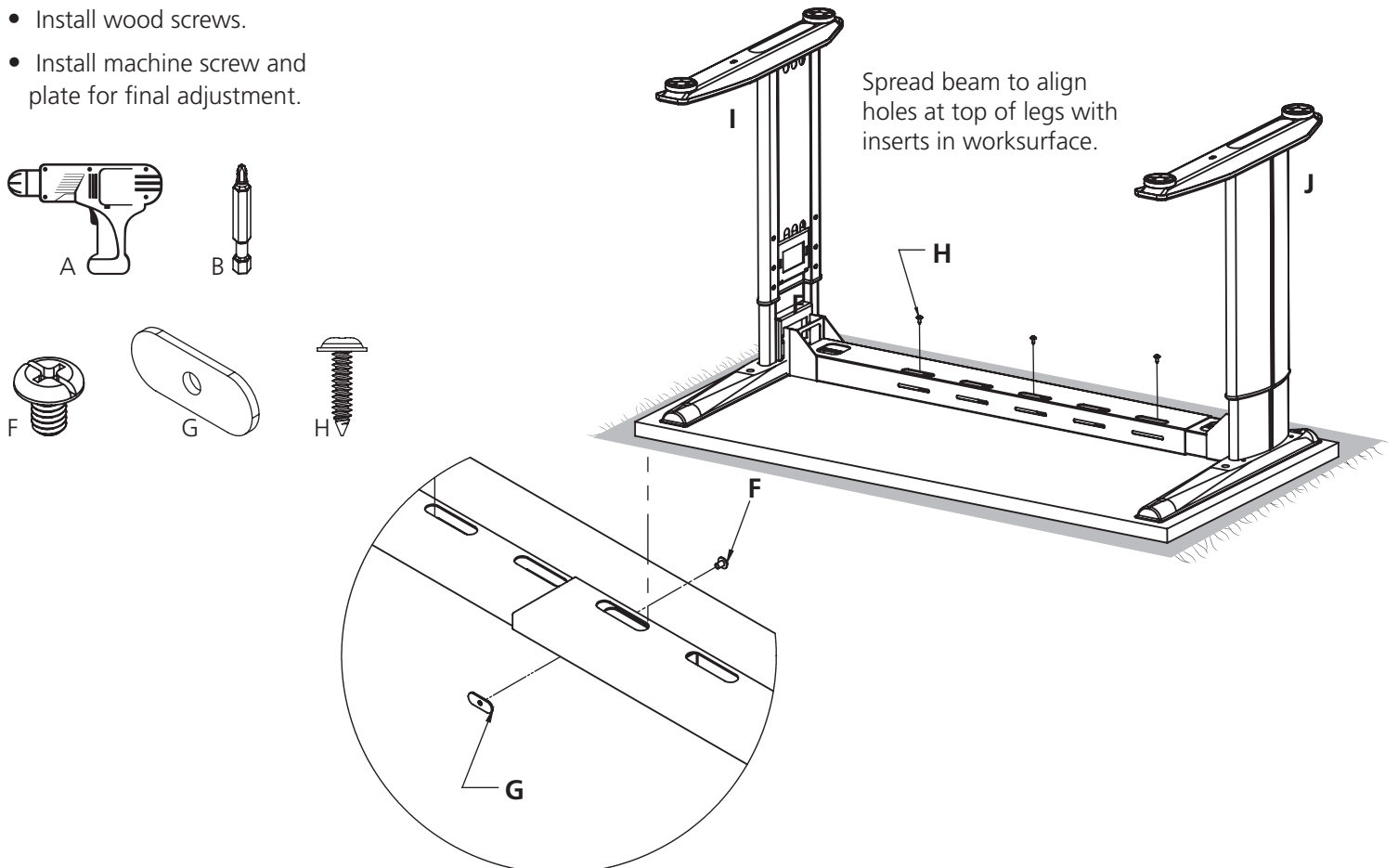
Step 1

- Remove and place beam into slots on the leg columns.



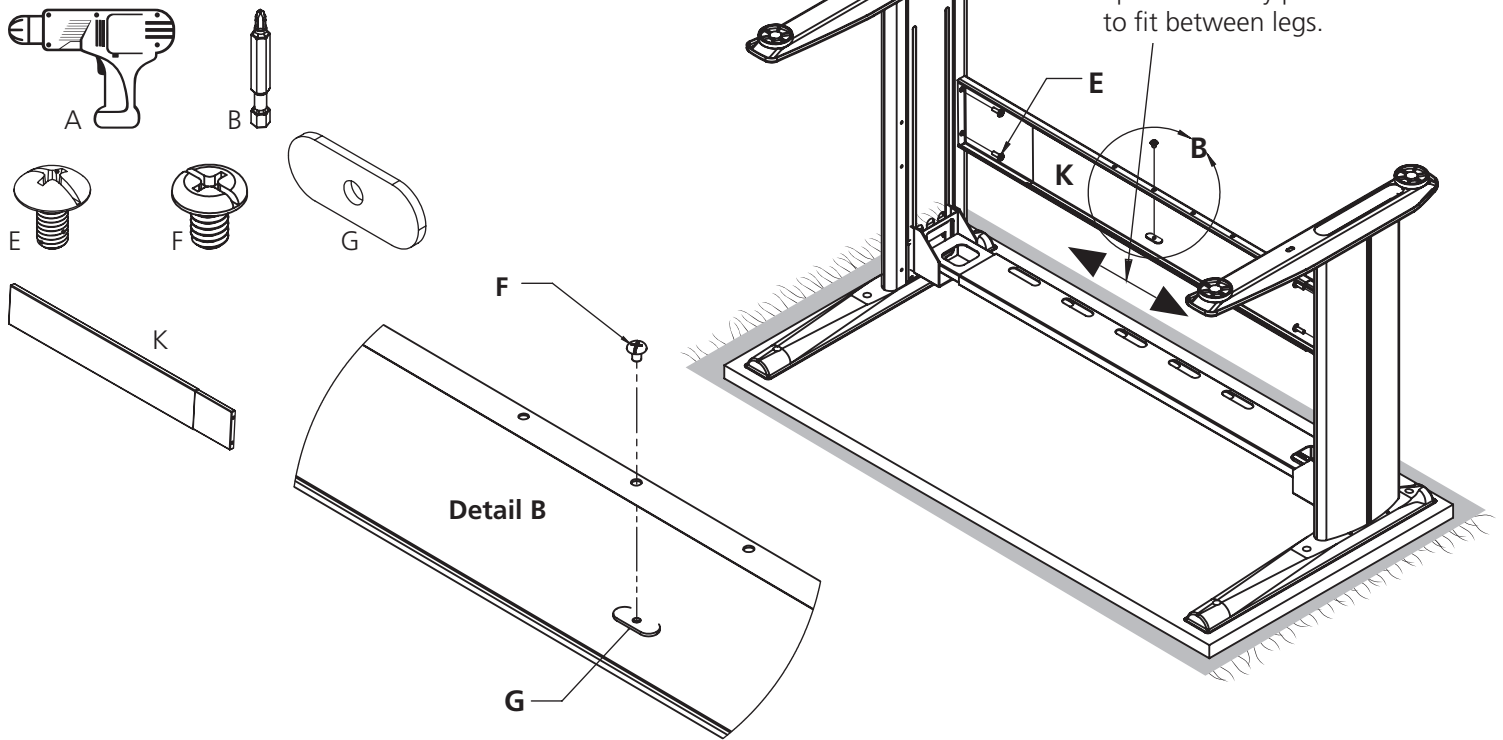
Step 2

- Install wood screws.
- Install machine screw and plate for final adjustment.



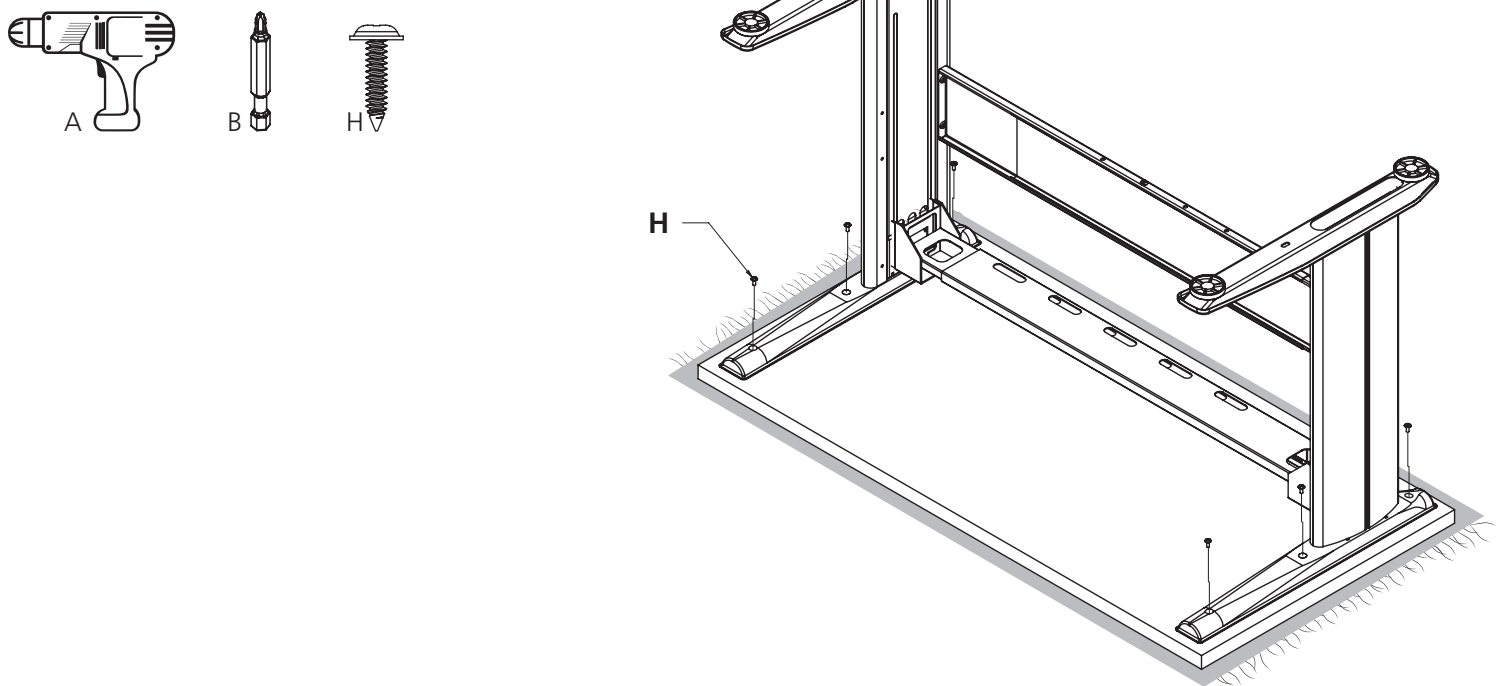
Step 3

- Install the machine screws into the legs and panel hardware.



Step 4

- Install wood screws and tighten.



If you have optional threaded inserts in your worksurface, refer to the insert instruction #54134.