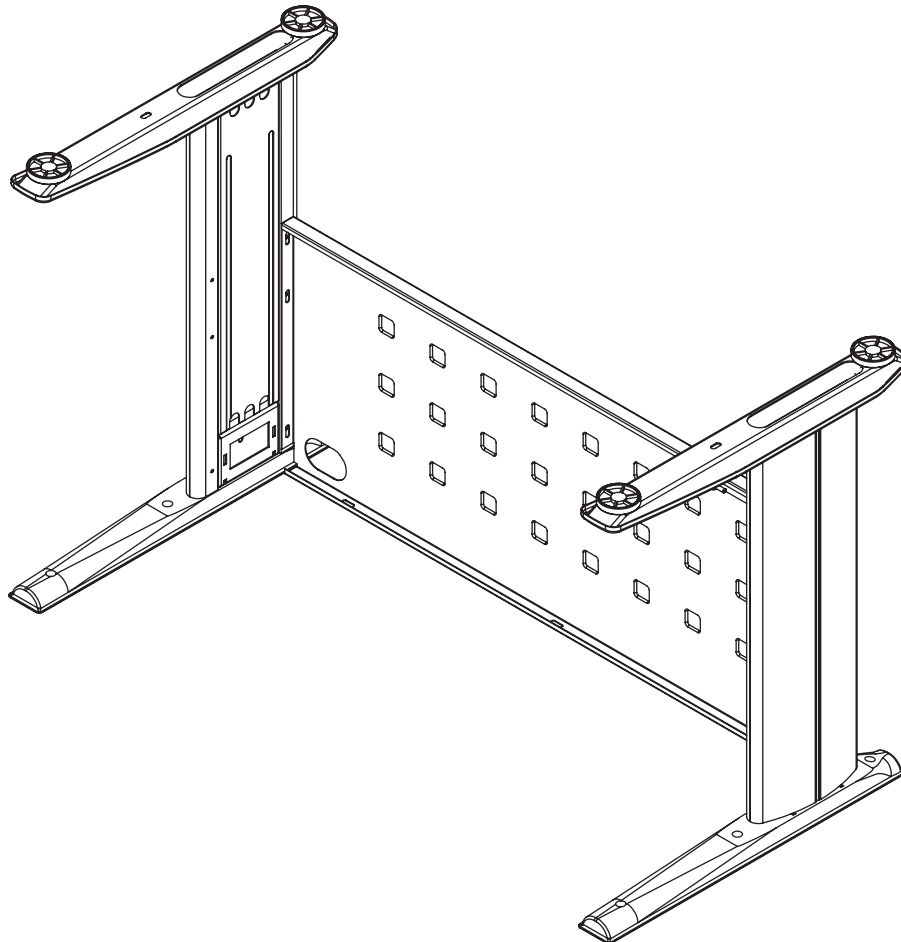




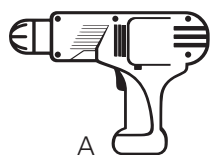
R-Style Modesty Panel Instructions

Warranty: raproducts.com/warranty



Tools Required for Assembly

- A. Power Driver with Adjustable Torque
- B. #2 Phillips Head Driver Bit
- C. #2 Square Head Drive Bit



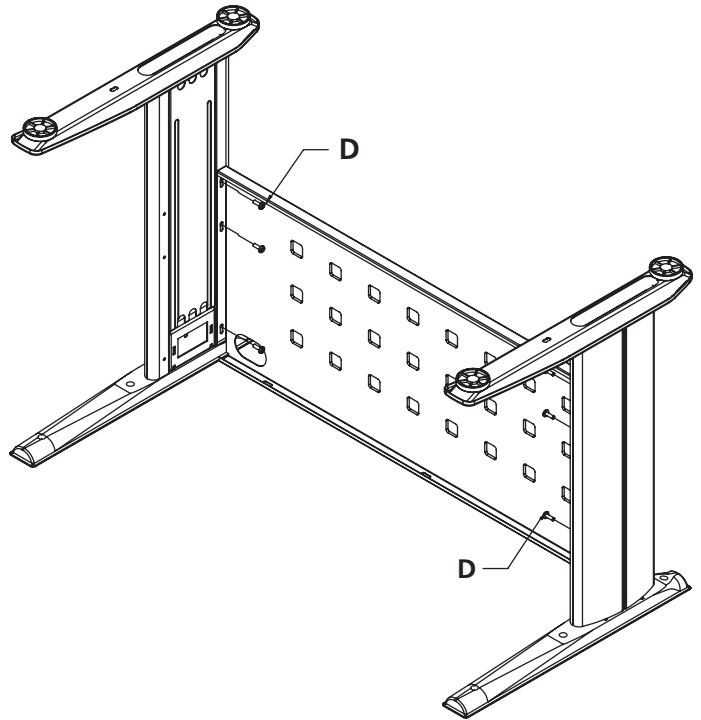
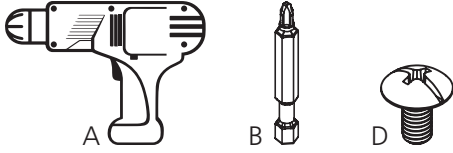
Hardware for Assembly *(may have extra)*

- D. M6 x 1/2" Phillips Machine Screw **x6**
- E. 10 X 5/8" Round Washer Head Recex Drive Screw **x11**



Step 1

- Attach the modesty panel to the legs with six machine screws.



Step 2

- Attach the modesty panel and legs to the worksurface with the wood screws.

