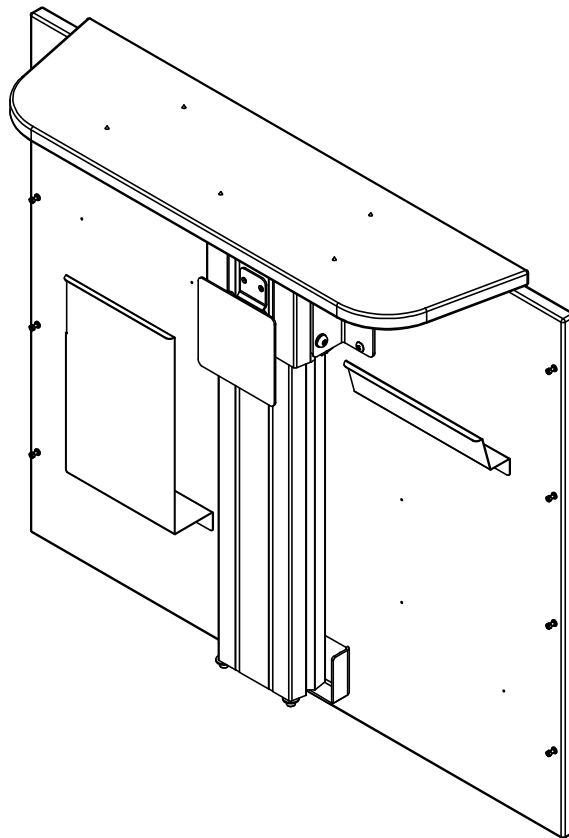




K&A Manufacturing
6703 Zinser Street
Schofield, WI 54476
Phone: 800.298.4351
Fax: 866.882.9475
www.raproducts.com
8/10/15

Series 4 HV Monitor Lift Keyboard and Mouse Nest Installation Instructions



Read all the instructions before beginning.



K&A Manufacturing
 6703 Zinser Street Schofield, WI 54476
 Phone: 800.298.4351
 Fax: 866.882.9475
 www.raproducts.com

Tools Required for Assembly:
 Power Driver W/Adjustable Torque
 #2 Phillips Head Driver Bit or
 #2 Square Head Driver Bit

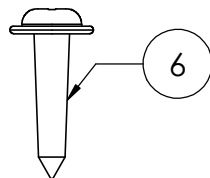
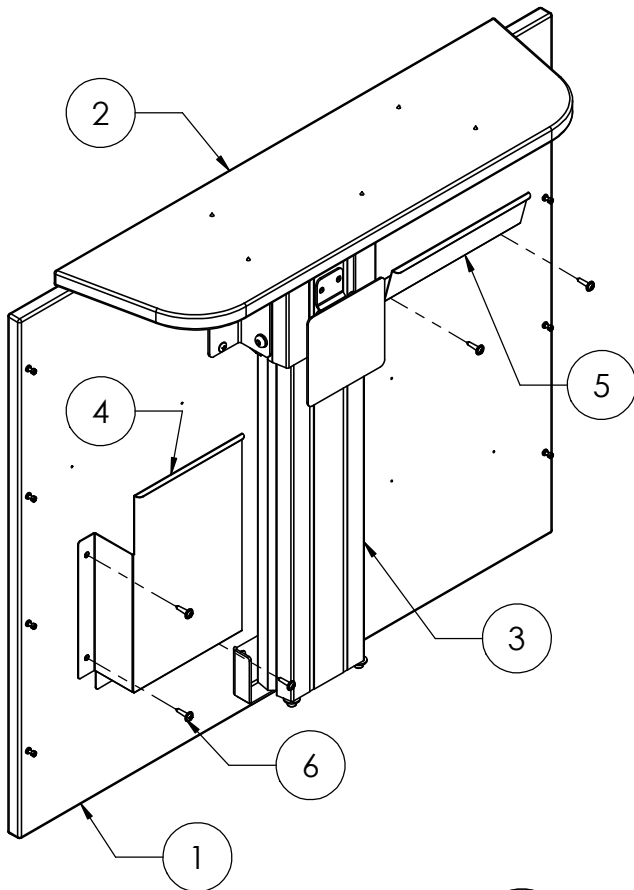
If your workstation has a keyboard nest and/or a mouse nest, assemble the column assembly to the back panel using the instructions that came with the workstation. Then do the following steps before assembling the panels.

Step 1: Lay the back panel 1 on a protected surface with the pilot holes facing up.

Step 2: Align the holes in the keyboard nest 4 with the pilot holes in the back panel 1. Attach it with (3) wood screws 6. Do not over-tighten the screws. Use a low torque setting on the power driver.

Step 3: Align the holes in the mouse nest 5 with the pilot holes in the back panel 1. Attach it with (2) wood screws 6.

Note: The positions of the mouse nest and keyboard nest may be reversed.



51708

ITEM #	PART #	DESCRIPTION	QTY.
1	Varies	HV Series Back Panel	1
2	WZRHVTP	HV Series 4 Top Panel	1
3	801298	HV Series 4 Column Assembly	1
4	800319	Keyboard Nest For Monitor Lift	1
5	800318	Mouse Nest For Monitor Lift	1
6	51708	M5 x 18mm (7/8") Sq/Ph/Wshr Head Wood Screw	5