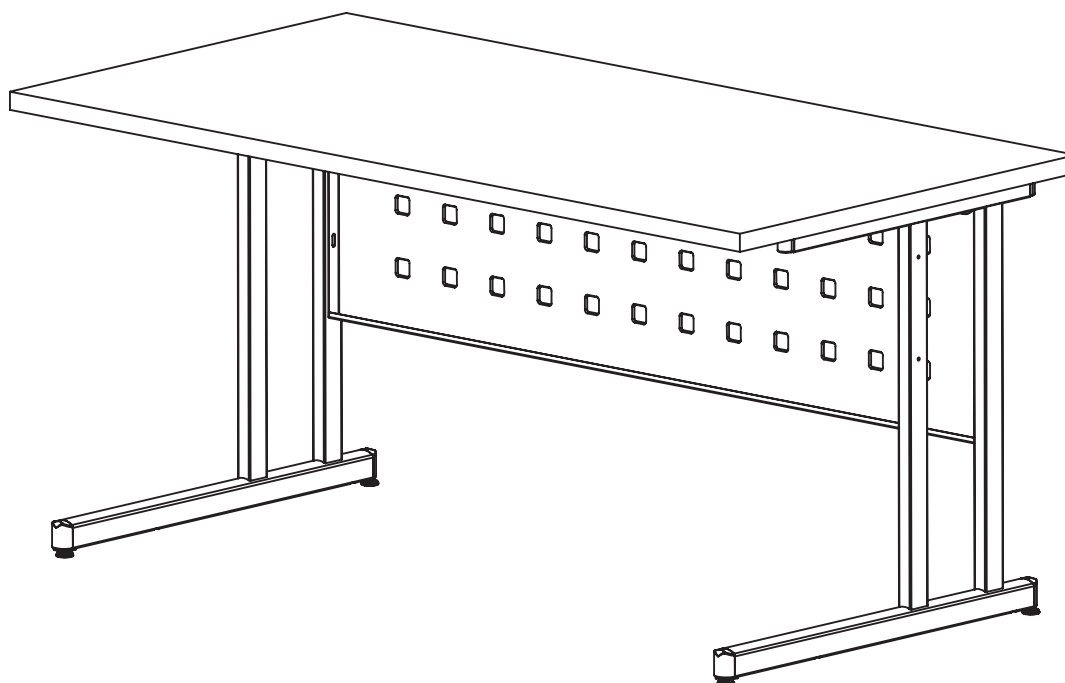




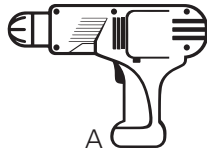
R-Style Delta Light Table Assembly Instructions

Warranty: raproducts.com/warranty



Tools Required for Assembly

- A. Power Driver with Adjustable Torque
- B. #2 Phillips Head Driver Bit **(Recommended)**
- C. #2 Square Head Drive Bit **(Recommended)**



Hardware and Tools Included for Assembly *(may have extra)*

- D. #6 X 5/8" Phillips Head Machine Bolt x4
- E. Wood Screw x *Varies*
- F. #6 X 2" Phillips Head Machine Bolt x4

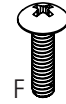
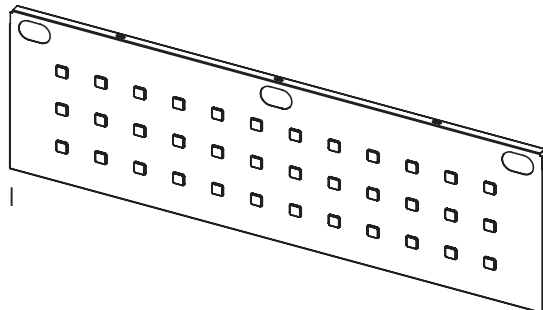
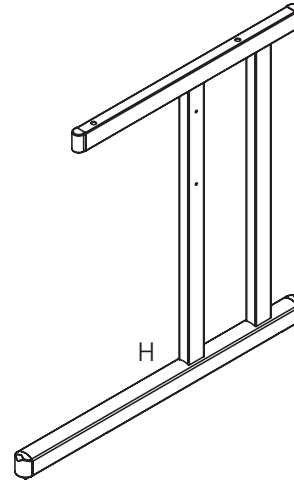
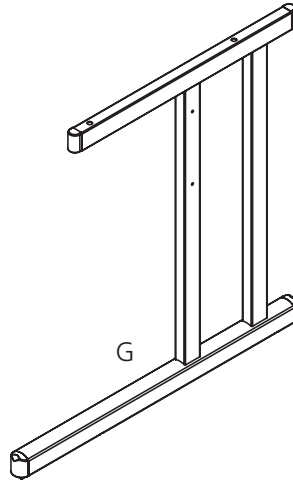


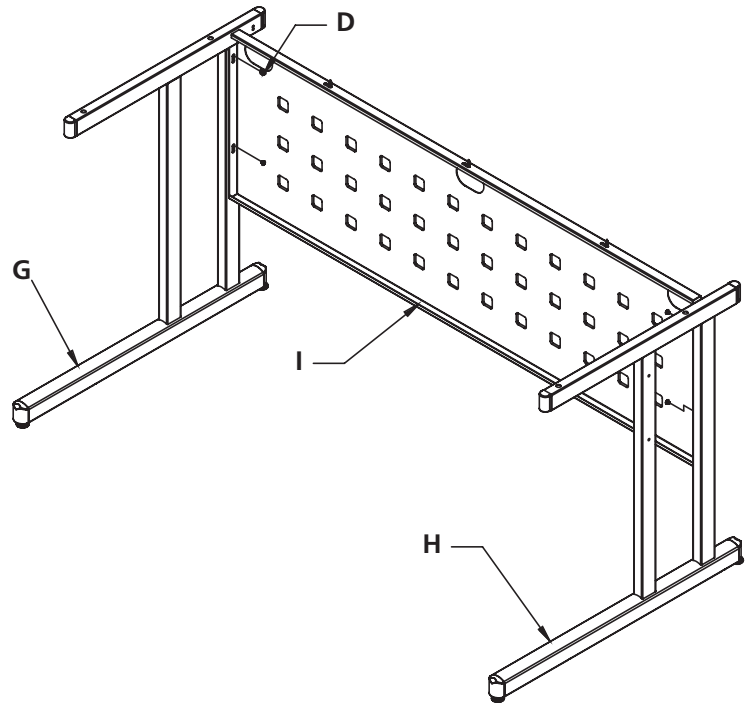
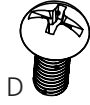
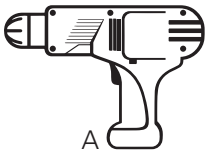
Table Parts

- G. Left Leg x1
- H. Right Leg x1
- I. Modesty Panel x1



Step 1

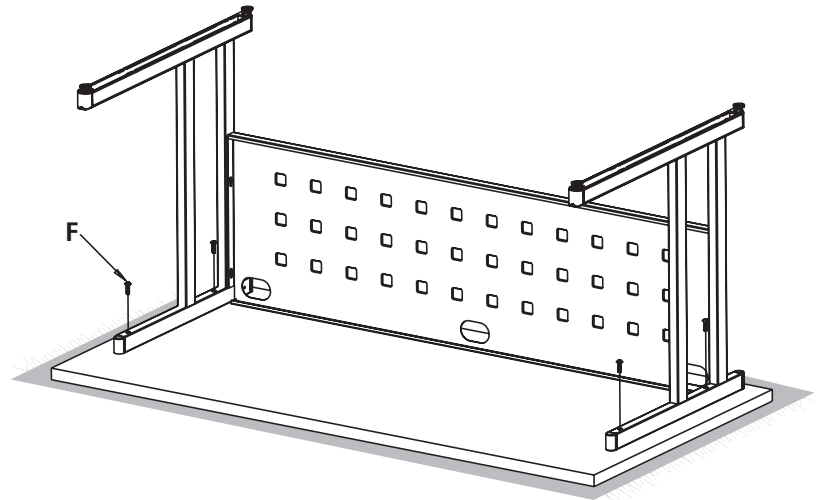
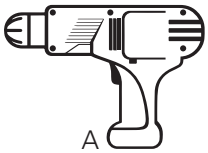
- Attach the modesty panel to the legs with four machine bolts.



Step 2

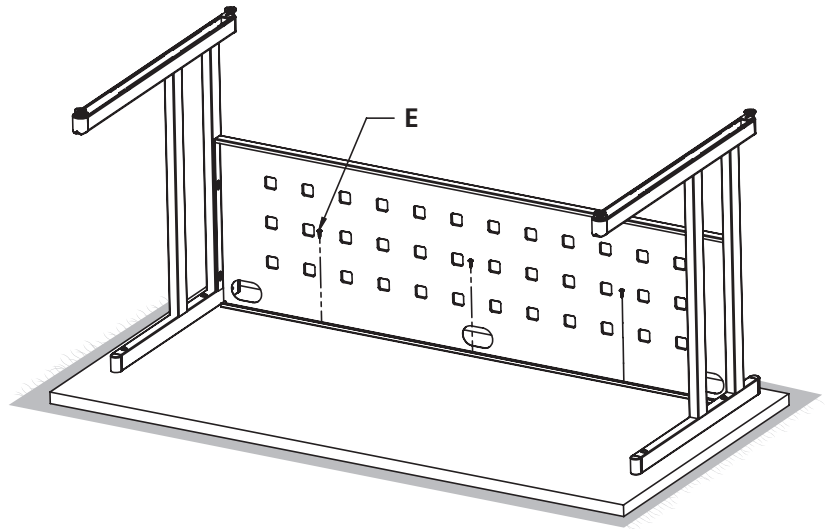
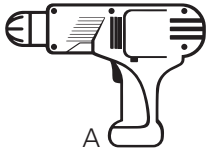
- Attach the legs to the worksurface with four machine bolts.

Note: the worksurface has threaded inserts for the machine bolts.



Step 3

- Attach the modesty panel to the worksurface with wood screws.



Step 4

- Finished table.

