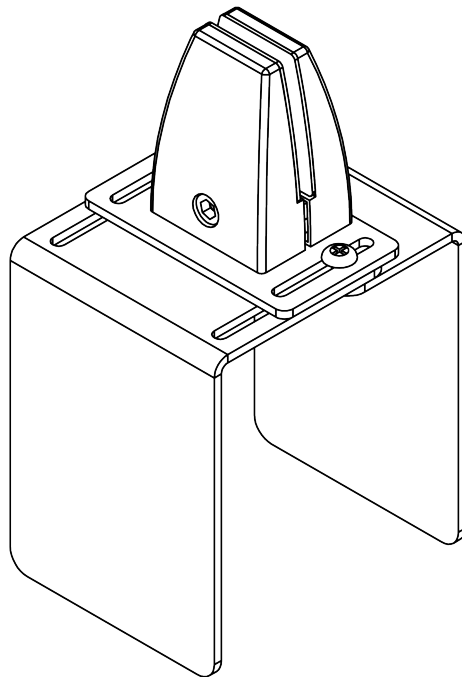




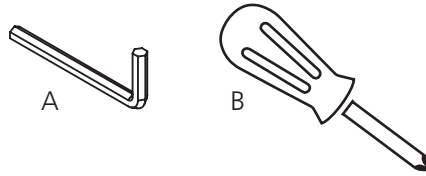
R-Style Sneeze Guards - Acrylic Shields Cubicle Panel Mount Instructions

Warranty: raproducts.com/warranty



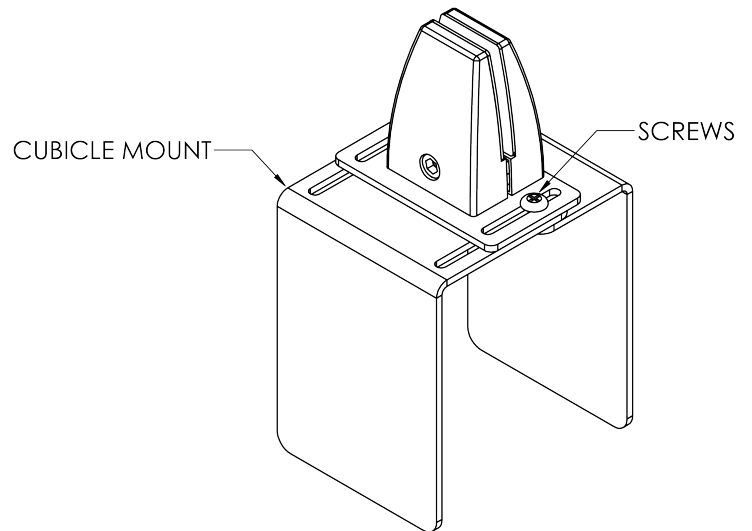
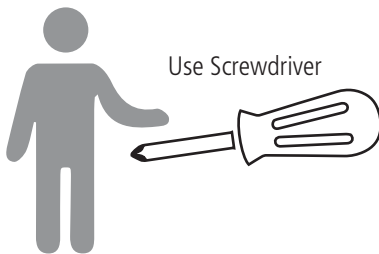
Cubicle Panel Assemble: This method will work with a panel (or divider wall) that is 1.75" to 3.485" wide.

- A. 3/16" Allen Wrench
- B. Phillips Head Screwdriver



Step 1

- Loosen the screws on the cubicle mounts. Set the mounts on top of your cubicle. Squeeze each mount together and tighten the screws.



Step 2

- Slide the panel into the top of the cubicle mounts. Tighten the set screws.

