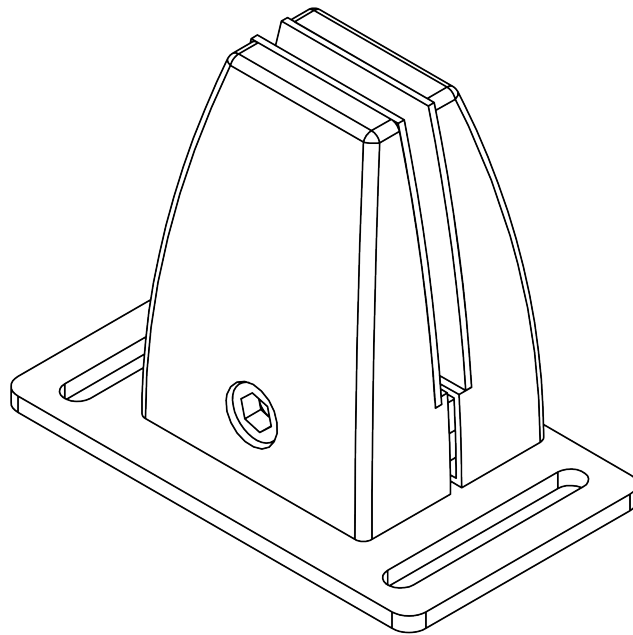




**R-Style Sneeze Guards - Acrylic Shields
Surface Mount Instructions**

Warranty: raproducts.com/warranty



Tools Required for Assembly

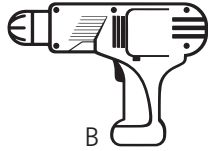
Adhesive Mount

- A. 3/16" Allen Wrench



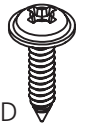
Screw Mount

- B. Power Driver with Adjustable Torque
C. #2 Phillips Head Driver Bit



Hardware Included for Assembly

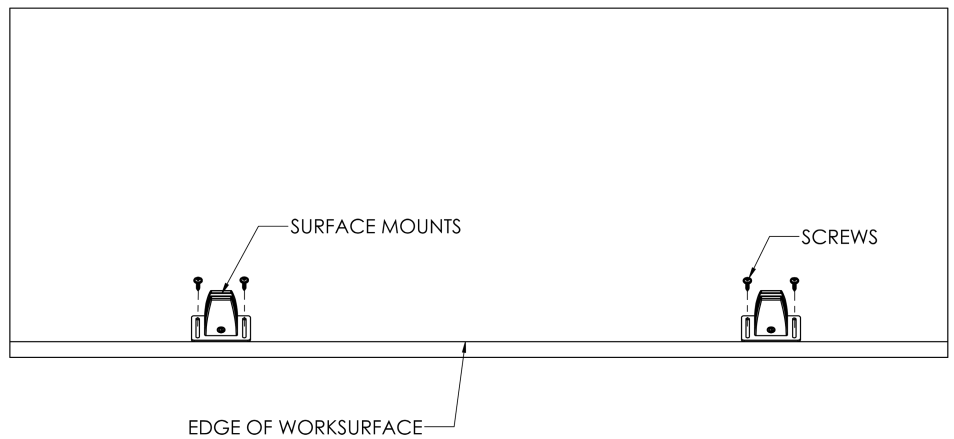
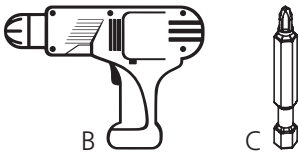
- D. 3/4" x 10 x 5/8" Round Washer Head Wood Screw x2 (per mount)



Step 1

- Lay the surface mounts evenly along the worksurface, lining them up with the table edge. Attach them with 2 screws or the supplied double back tape.

Screw Installation:



Note: The screws are self drilling and no pilot holes are required.

Step 2

- Slide the panel into the surface mounts and tighten the set screws.

