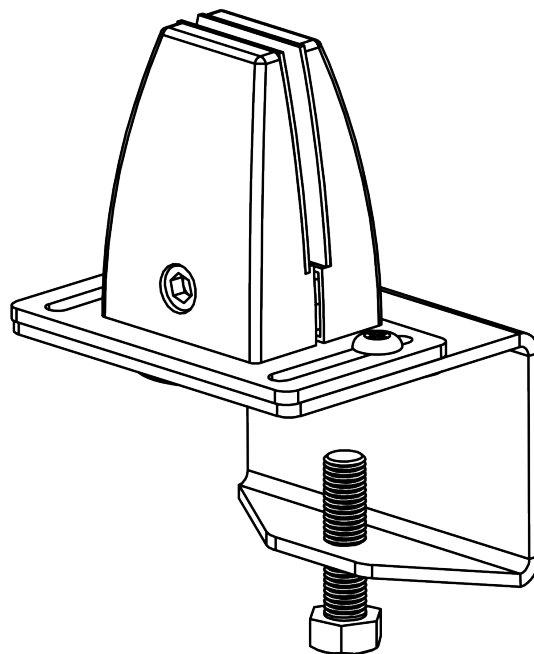




## R-Style Sneeze Guards - Acrylic Shields Adjustable Clamp Mount Instructions

Warranty: [raproducts.com/warranty](http://raproducts.com/warranty)



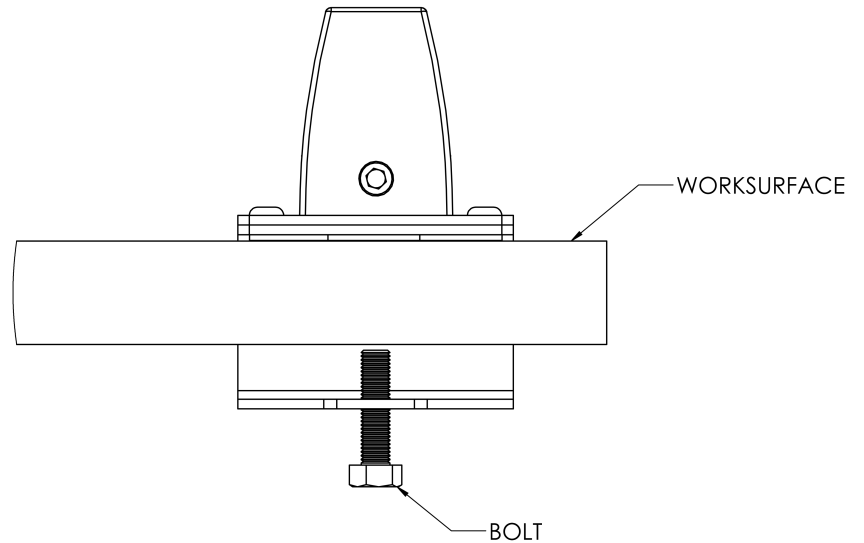
Clamp Assemble: This method will work with a worksurface that is 3/4" to 1-1/2" thick.

A. 3/16" Allen Wrench



## Step 1

- Slide the clamp assemblies onto the worksurface evenly spaced. Tighten the bolt on each clamp to secure to the worksurface.



## Step 2

- Slide the panel into the vertical clamps and tighten the set screws.

