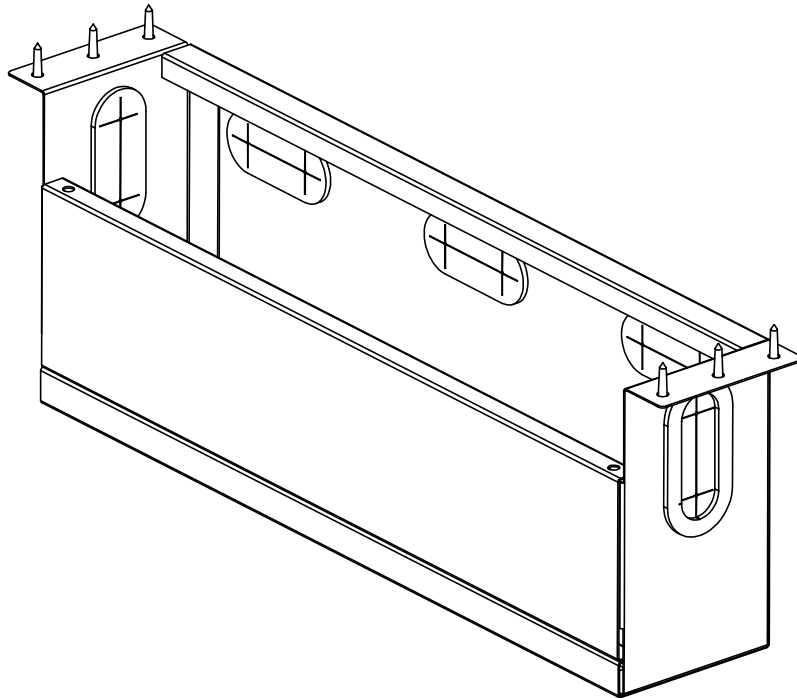




XWMB Wire Management Box





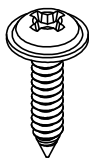
Power Driver with Adjustable Torque



#2 Square Head Driver Bit

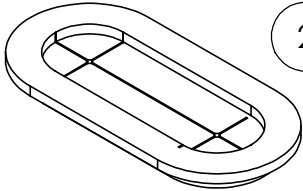


Tape Measure



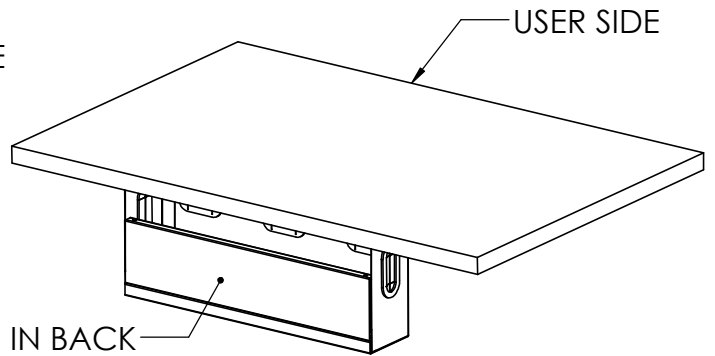
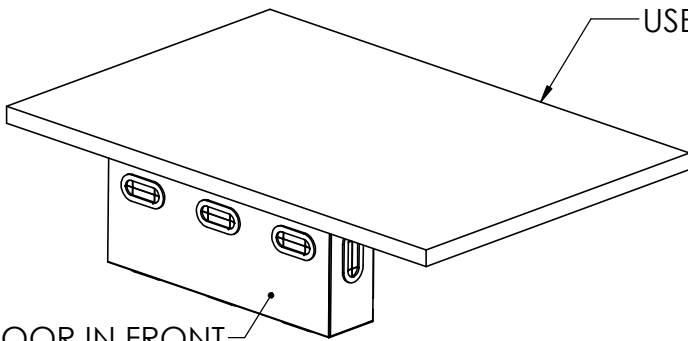
1

M5x15 x6



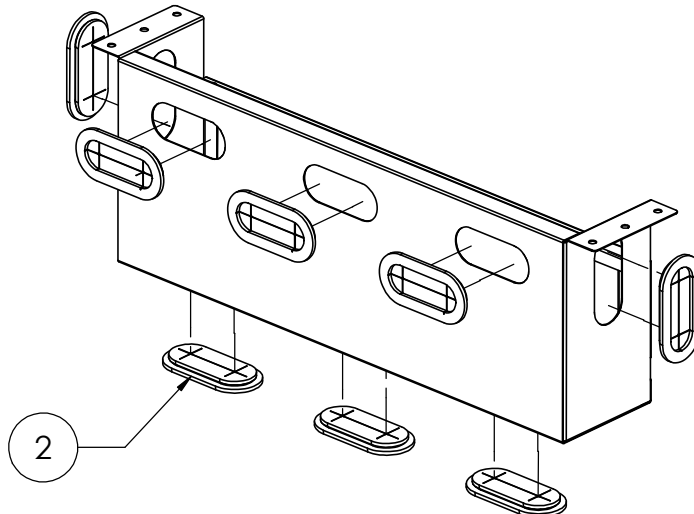
2

RUBBER GROMMET



BEFORE INSTALLING WIRE MANAGEMENT BOX.
CHOOSE WHICH ORIENTATION YOU PREFER.

INSTALL GROMMETS



POSITION WIRE MANAGEMENT BOX EITHER CENTERED OR IN DESIRED LOCATION

