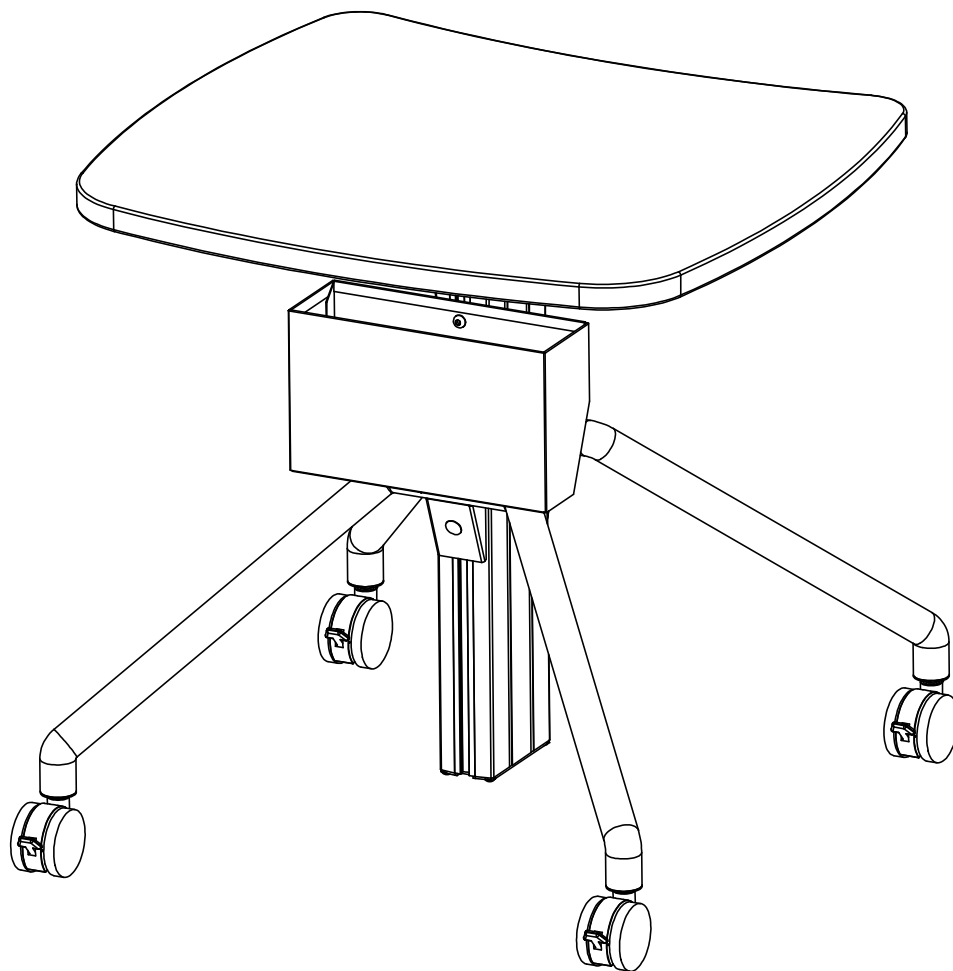




K&A Manufacturing  
6703 Zinser Street  
Schofield, WI 54476  
Phone: 800.298.4351  
Fax: 866.882.9475  
www.raproducts.com  
Version Dated: 8/25/15

## NewHeights™ Storage Bin Installation Instructions



Read all the instructions before beginning.

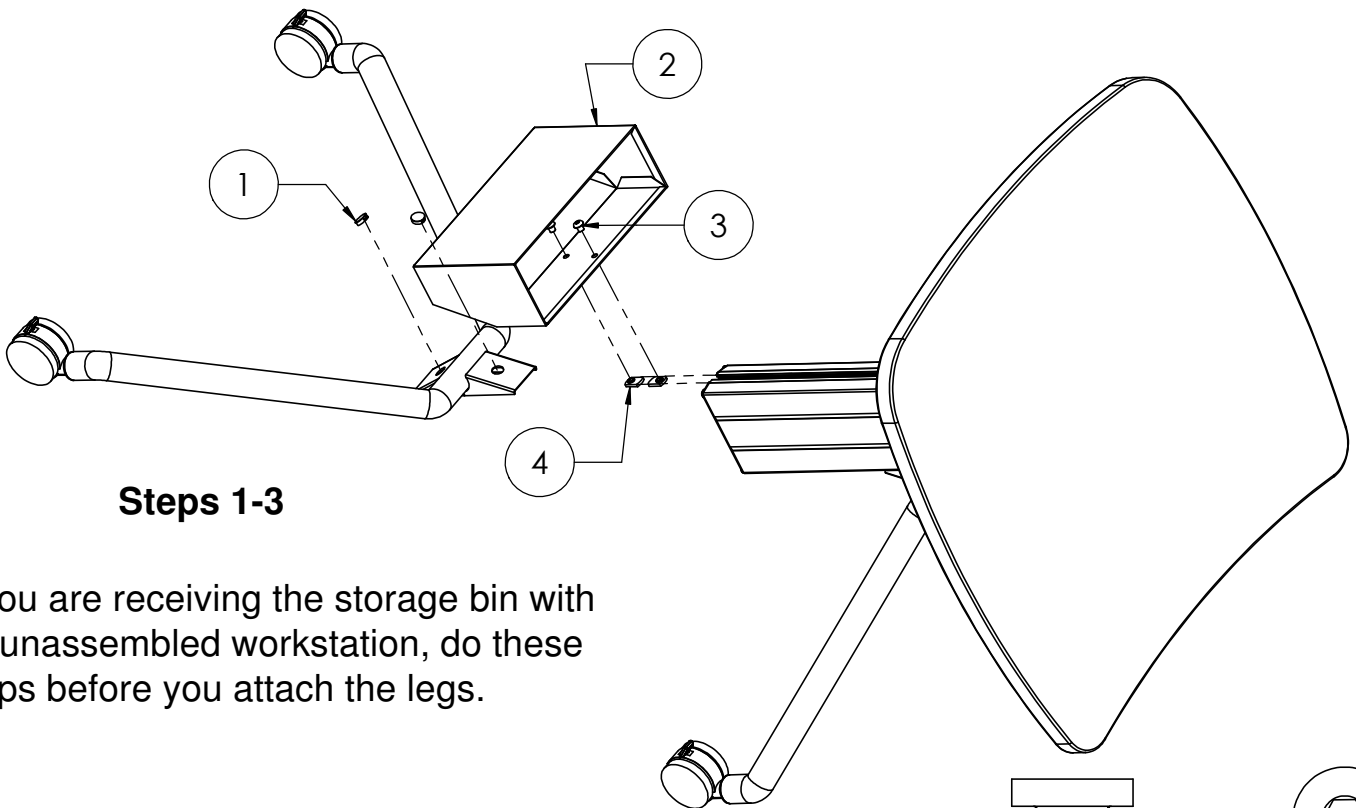
**Tools Required for Assembly:**

Power Driver W/Adjustable Torque  
3/16" Hex Head Driver Bit or  
Allen Wrench  
Tape Measure

**Step 1:** Lay the workstation on a protected surface with the back facing up. Remove the (2) shorty plugs **1** from the leg bracket to get access to the screws holding the leg assembly to the column assembly. Loosen the screws and slide the leg assembly off the column. Set these parts aside for reassembly later.

**Step 2:** Insert (2) socket screws **3** through the holes in the back of the storage bin **2**. Thread (2) weld nuts **4** onto the socket screws. The projections on the weld nuts must face the bin. Slide this assembly into the groove in the column assembly until the bin is where you want it. Fully tighten the screws.

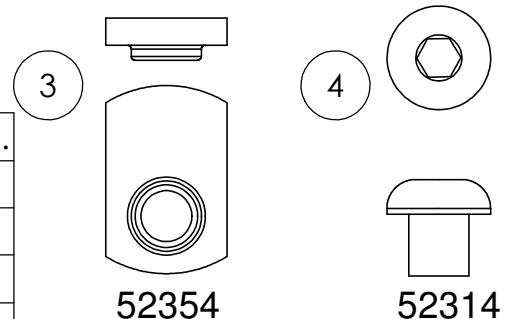
**Step 3:** Reattach the leg assembly in the reverse order of disassembly.



**Steps 1-3**

If you are receiving the storage bin with an unassembled workstation, do these steps before you attach the legs.

ITEM #	PART #	DESCRIPTION	QTY.
1	52059	5/8" Shorty Plug	2
2	800542	NewHeights/NewGas Storage Bin Assembly	1
3	52314	M8-1.25 x 8mm Button Head Socket Screw	2
4	52354	M8 x 1.25 Offset Weld Nut	2



**Hardware Is Drawn  
Actual Size**

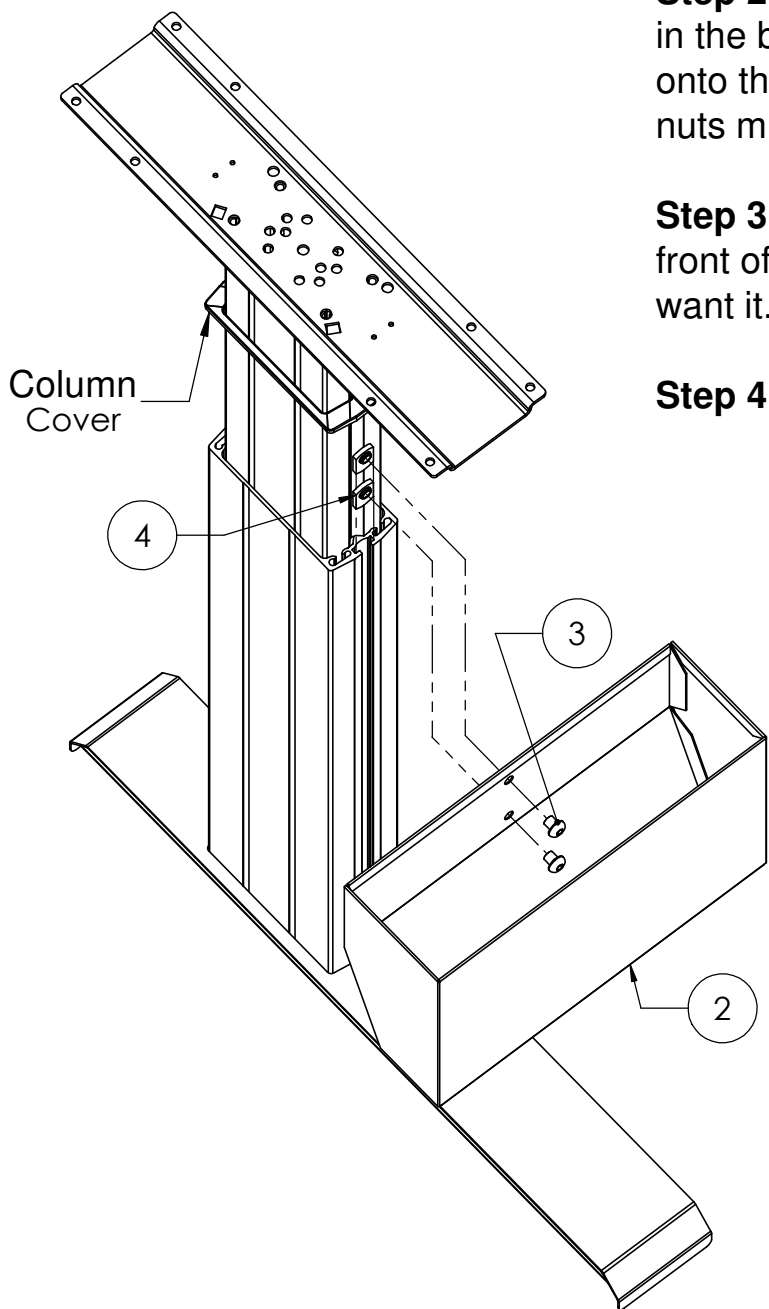
**To install the storage bin on a NewHeights leg assembly:**

**Step 1:** Raise the workstation to its highest level. Remove the column cover from the top of the outer column and raise it high enough to get access to the groove at the front.

**Step 2:** Insert (2) socket screws **3** through the holes in the back of the bin **2**. Thread (2) weld nuts **4** onto the socket screws. The projections on the weld nuts must face the bin. Do not fully tighten.

**Step 3:** Slide the weld nuts **4** into the groove in the front of the leg assembly until the bin **2** is where you want it. Fully tighten the socket screws.

**Step 4:** Replace the column cover.



The rest of the workstation is not shown for clarity.