



ergonomic products

K&A MANUFACTURING

6703 ZINSER ST., SCHOFIELD, WI 54476
 PHONE: 800.298.4351 FAX: 866.882.9475
 www.raproducts.com

VERSION DATED: 8/11/11

TOOLS REQUIRED FOR ASSEMBLY:

- CORDLESS DRILL
- 5mm DRIVER BIT OR ALLEN WRENCH
- 3/16" DRIVER BIT OR ALLEN WRENCH
- TAPE MEASURE
- LEVEL

NewGas WORKSTATION LEG HARDWARE REPLACEMENT CUSTOMER INSTRUCTIONS:

STEP 1: RAISE THE WORKSURFACE TO ITS HIGHEST POSITION. WITH THE HELP OF AN ASSISTANT, LAY THE WORKSTATION ON A PROTECTED SURFACE WITH THE FRONT FACING UP AS SHOWN AT LEFT.

STEP 2: MARK THE LOCATION OF THE LEG WITH A FELT TIP PEN OR MEASURE THE LOCATION OF THE LEG. THE LEG BRACKET SHOULD BE AT 11 1/4" FROM THE BOTTOM OF THE COLUMN. SEE THE SIDE VIEW BELOW.

STEP 3: IF THE BLACK COVER ON THE TOP OF THE OUTER COLUMN IS HELD IN PLACE BY SCREWS, REMOVE THE SCREWS. RAISE THE COVER TO THE TOP OF THE INNER COLUMN.

STEP 4: POP THE SHORTY PLUGS OFF THE FRONT LEG ASSEMBLY AND SET THEM ASIDE. LOOSEN THE SOCKET SCREWS THAT ARE BEHIND THE SHORTY PLUGS.

STEP 5: SLIDE THE FRONT LEG ASSEMBLY UP AND REMOVE IT FROM THE TABLE. REMOVE THE EXISTING SOCKET SCREWS, WASHERS AND T-SLOT PLATE OR WELD NUTS AND DISCARD THEM.

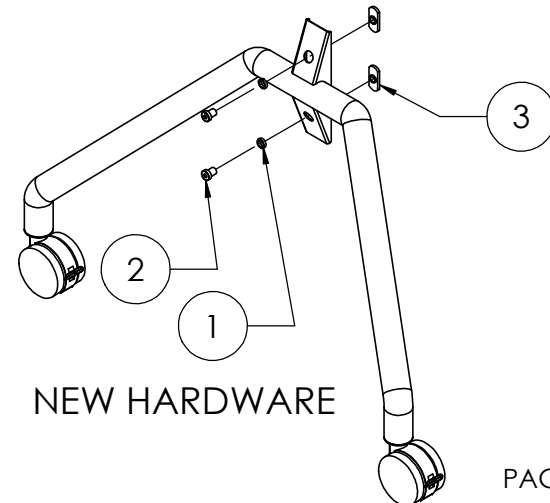
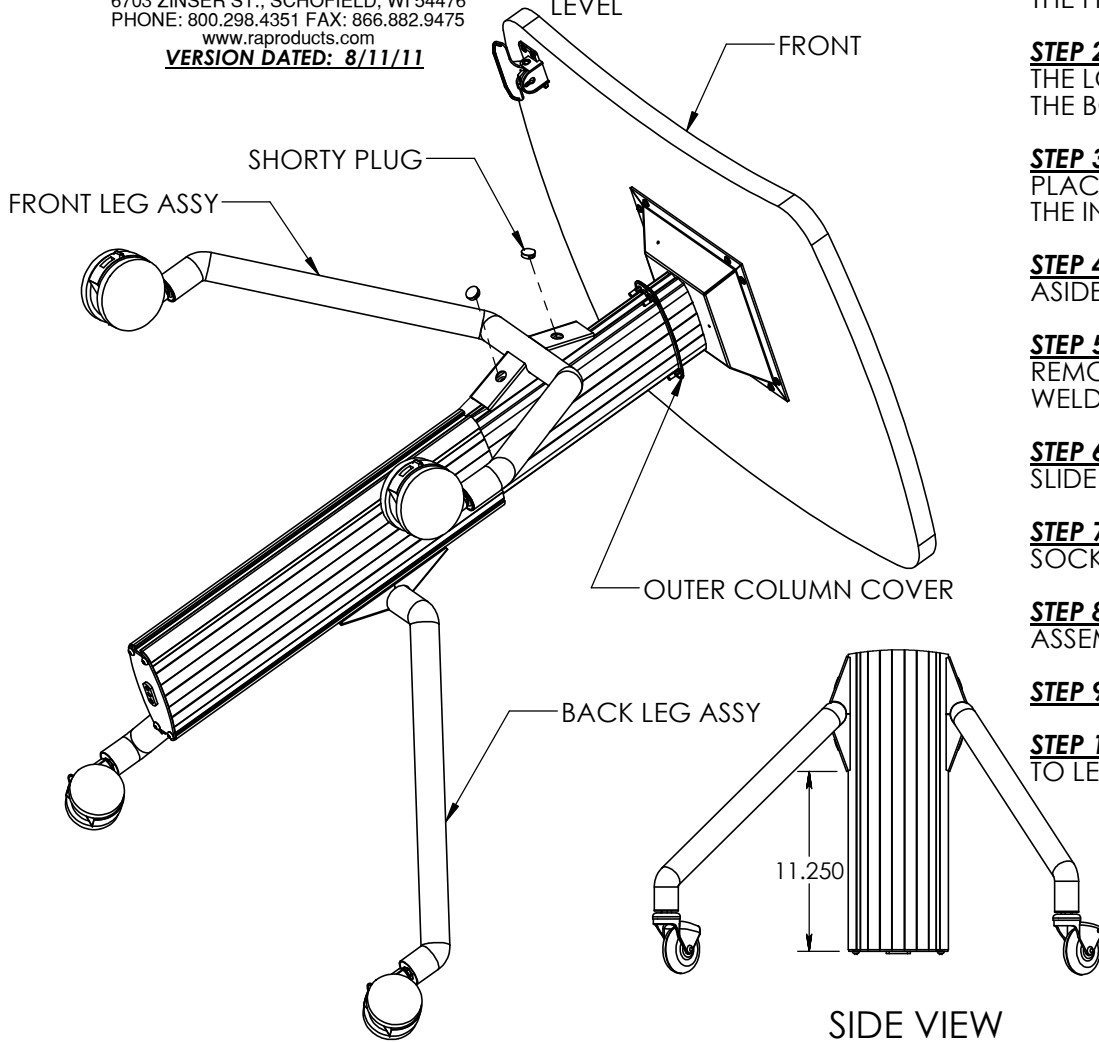
STEP 6: REPLACE THE EXISTING HARDWARE WITH THE NEW HARDWARE AND SLIDE THE LEG ASSEMBLY BACK INTO THE SLOT ON THE OUTER COLUMN.

STEP 7: SET THE LEG AT ITS ORIGINAL POSITION AND **FULLY TIGHTEN** THE SOCKET SCREWS. REPLACE THE SHORTY PLUGS.

STEP 8: TURN THE TABLE OVER AND REPEAT **STEPS 2-7** WITH THE BACK LEG ASSEMBLY.

STEP 9: REPLACE THE OUTER COLUMN COVER.

STEP 10: SET THE TABLE UPRIGHT ON THE FLOOR. LOOSEN THE SOCKETSCREWS TO LEVEL THE TABLE IF NECESSARY. RE-TIGHTEN THE SOCKET SCREWS.



NEW HARDWARE

ITEM #	PART #	DESCRIPTION	QTY.
1	52425	3/8 x 1/2 x 1/8 HIGH COLLAR LOCK WASHER	2
2	52424	3/8-16 X 1/2 LOW HEAD SOCKET SCREW	2
3	52403	3/8-16 x 1/2 BRIDGE WELD NUT	2