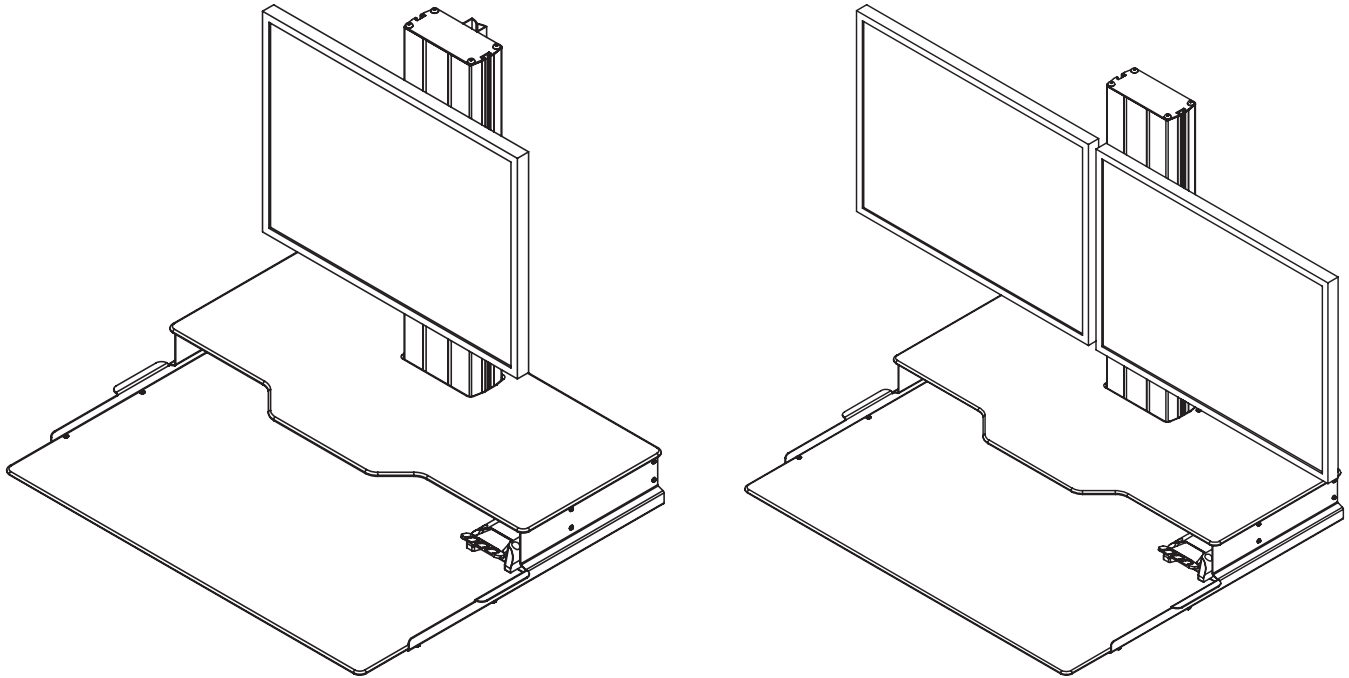




Series 4 Hover Helium Base Gas Lift Assembly Instructions

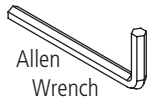
Warranty: raproducts.com/warranty



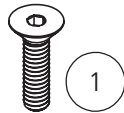
Tools Required for Assembly:



Screwdriver



Allen
Wrench



1

53097 x4



2

53892 x4 - Black
53893 x4 - White



3

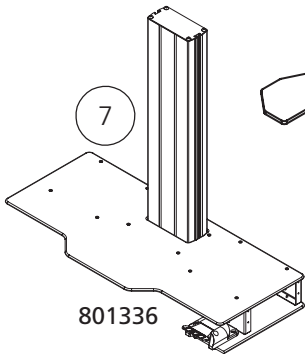
53648 x4 - Black
50267 x4 - White



4

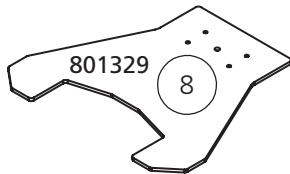
53878 x12 - Black
50149 x12 - White

Hardware (may have extra)



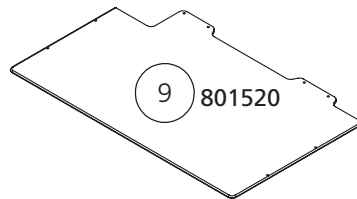
7

801336



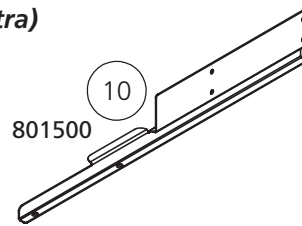
801329

8



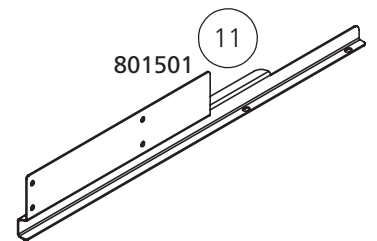
9

801520



10

801500



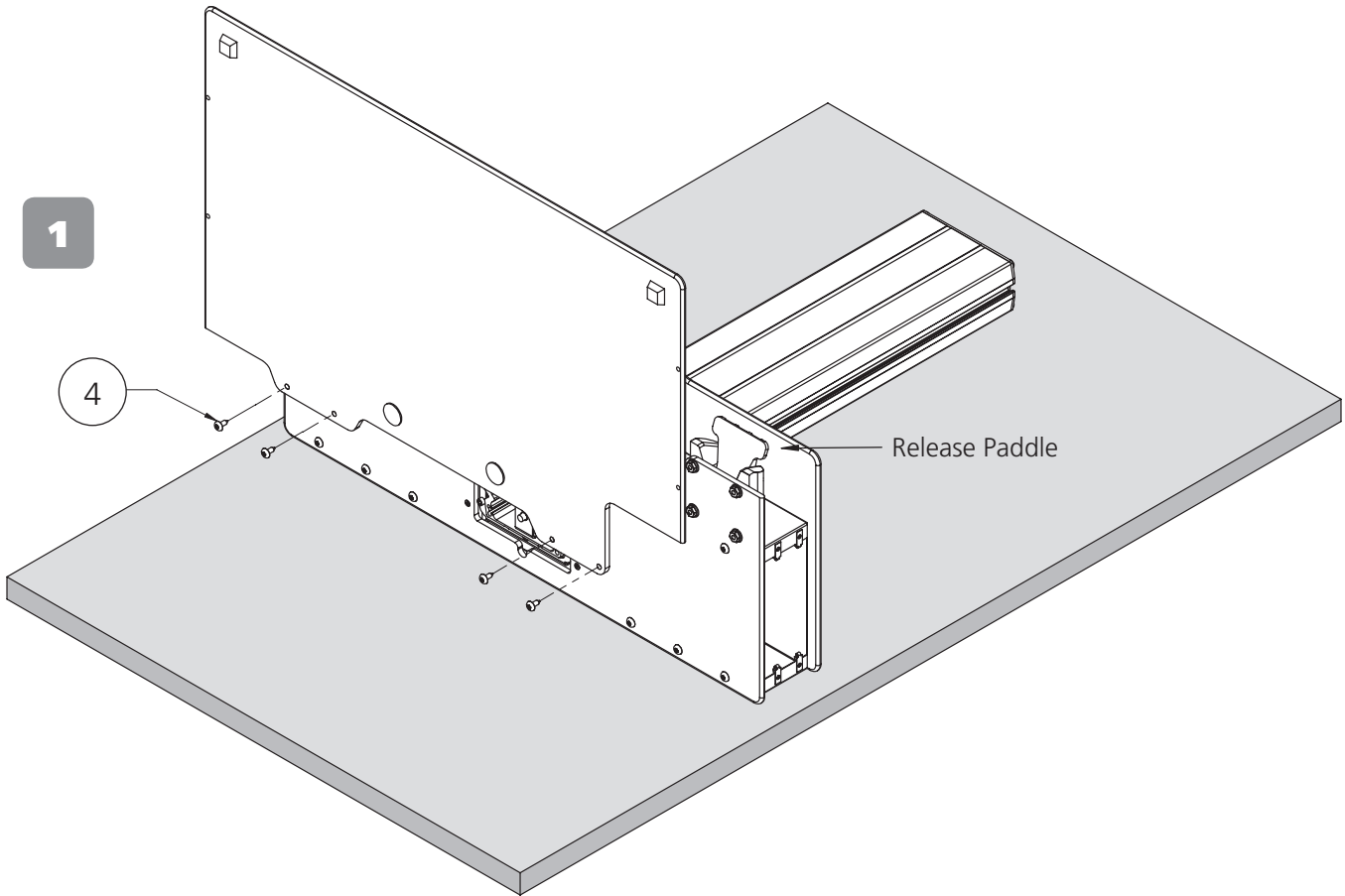
11

801501

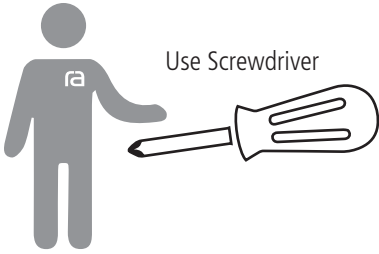


Use Screwdriver

53878 x4 - Black
50149 x4 - White



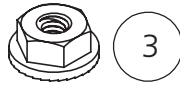
**WARNING! Do not depress the release paddle.
The column could rise up quickly.**



53892 x4 - Black
53893 x4 - White



53648 x4 - Black
50267 x4 - White



53878 x8 - Black
50149 x8 - White

