



ergonomic products

K&A MANUFACTURING

6703 ZINSER ST., SCHOFIELD, WI 54476
PHONE: 800.298.4351 FAX: 866.882.9475
www.raproducts.com

VERSION DATED: 2/21/11

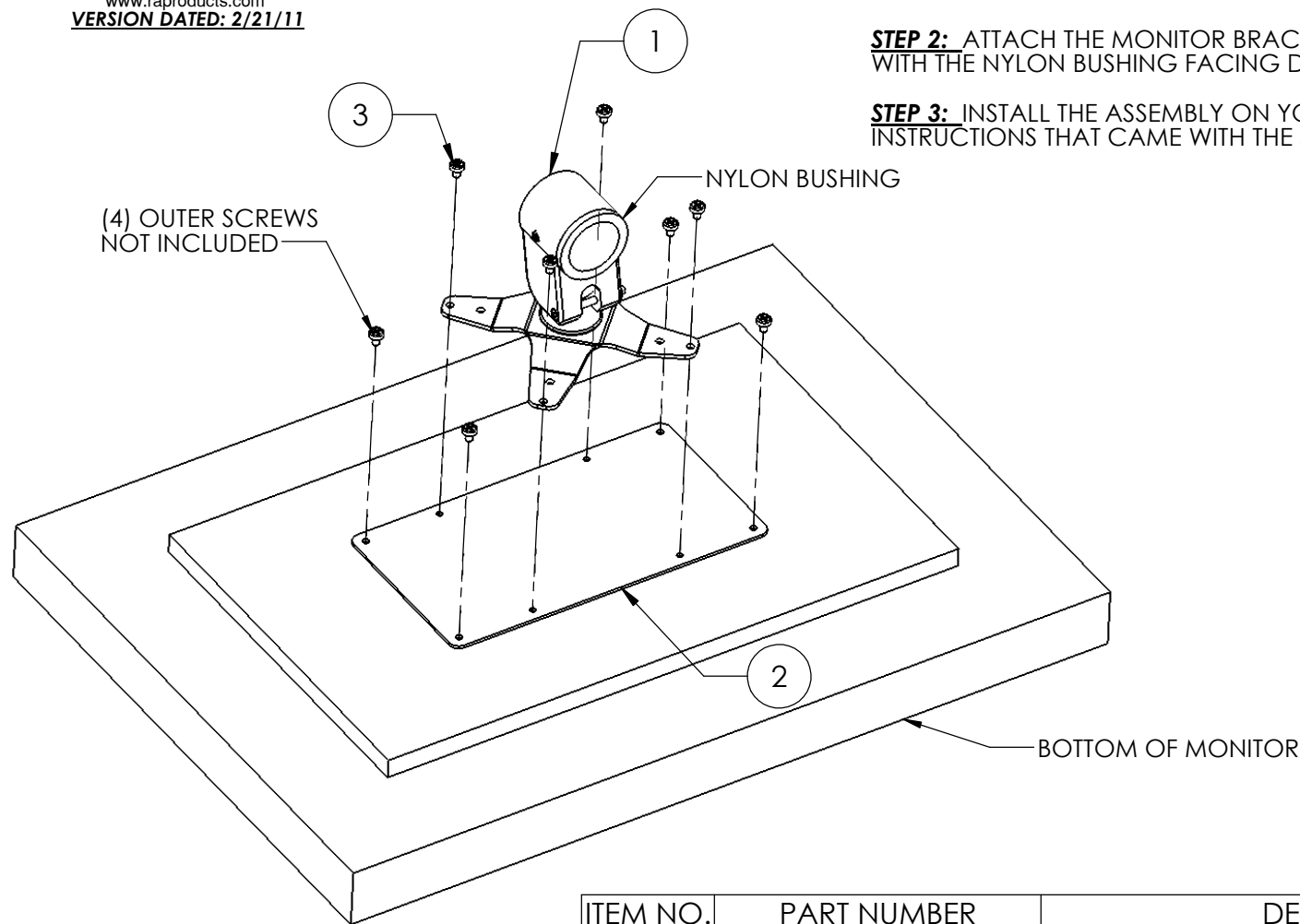
TOOLS REQUIRED FOR ASSEMBLY:
CORDLESS DRILL W/#2 PHILLIPS
HEAD DRIVER BIT

HOVER SERIES 2 MONITOR BRACKET ADAPTER PLATE
CUSTOMER INSTALLATION INSTRUCTIONS:

STEP 1: LAY YOUR MONITOR FACE DOWN ON A PROTECTED SURFACE. ATTACH THE ADAPTER PLATE **2** TO THE BACK OF THE MONITOR WITH (4) SCREWS THROUGH THE (4) HOLES AT THE OUTSIDE CORNERS. THESE SCREWS ARE NOT INCLUDED WITH THE PLATE.

STEP 2: ATTACH THE MONITOR BRACKET **1** TO THE ADAPTER PLATE **2** WITH THE NYLON BUSHING FACING DOWN USING (4) MACHINE SCREWS **3**.

STEP 3: INSTALL THE ASSEMBLY ON YOUR HOVER SYSTEM USING THE INSTRUCTIONS THAT CAME WITH THE SYSTEM.



ITEM NO.	PART NUMBER	DESCRIPTION	QTY.
1	52446	HOVER SERIES 2 MONITOR BRACKET	1
2	800185	HOVER MONITOR BRACKET ADAPTER PLATE	1
3	50248	M4 x 6 PHILLIPS PAN HEAD MACHINE SCREW	4