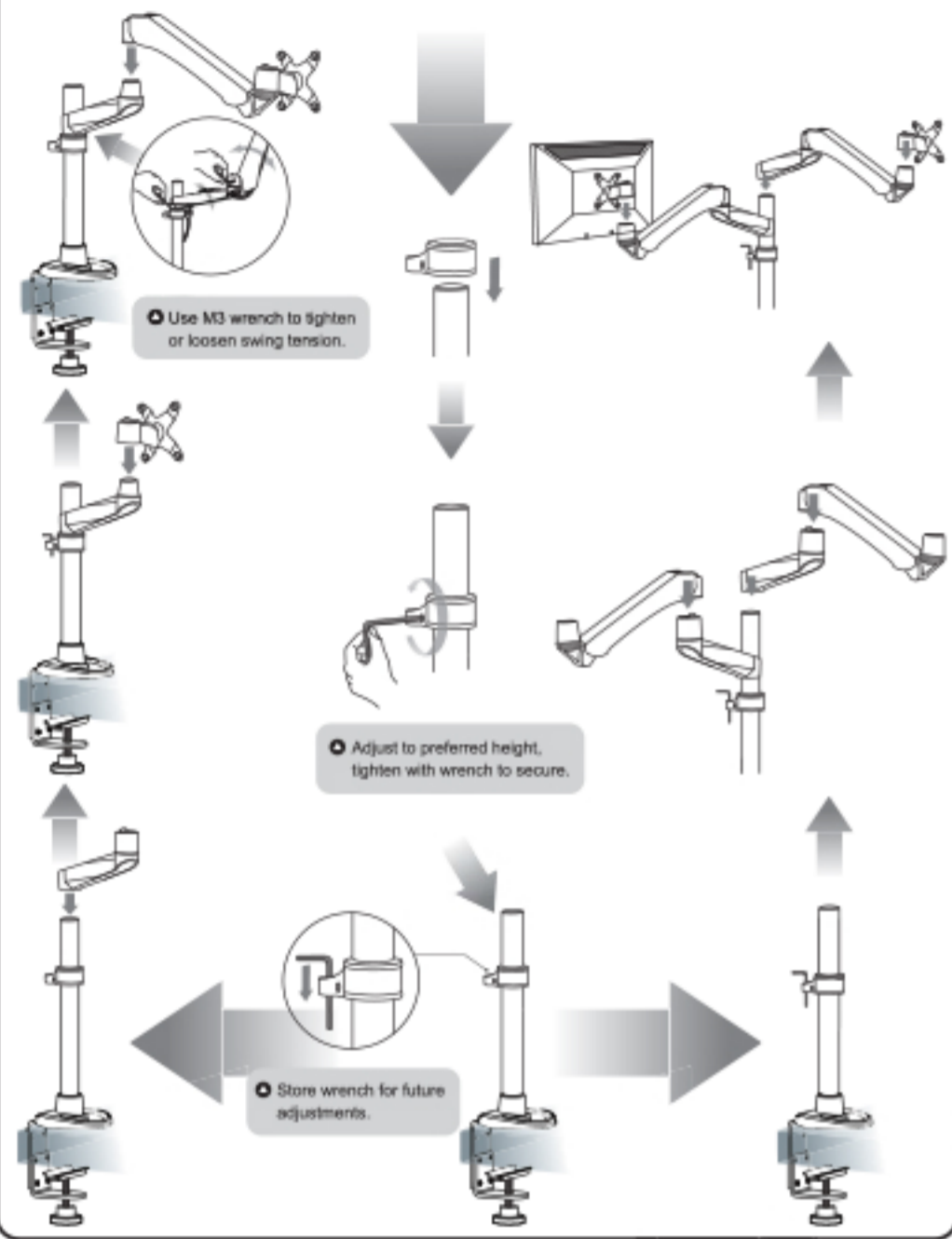
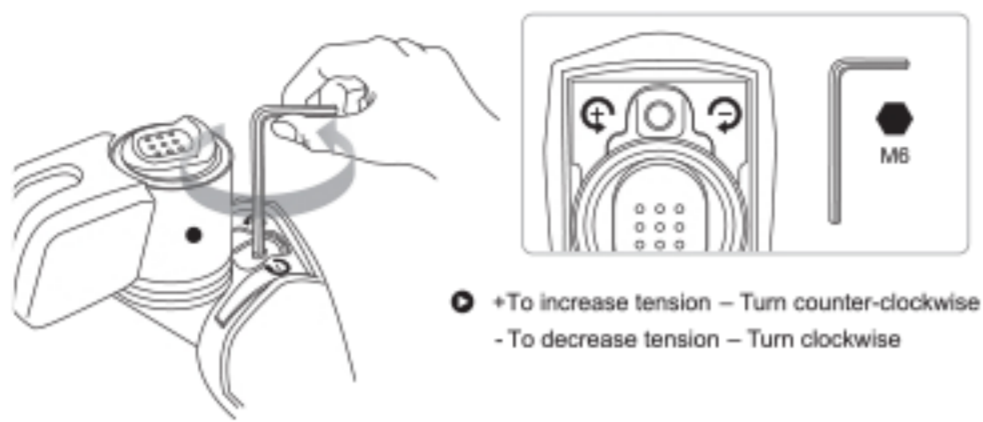


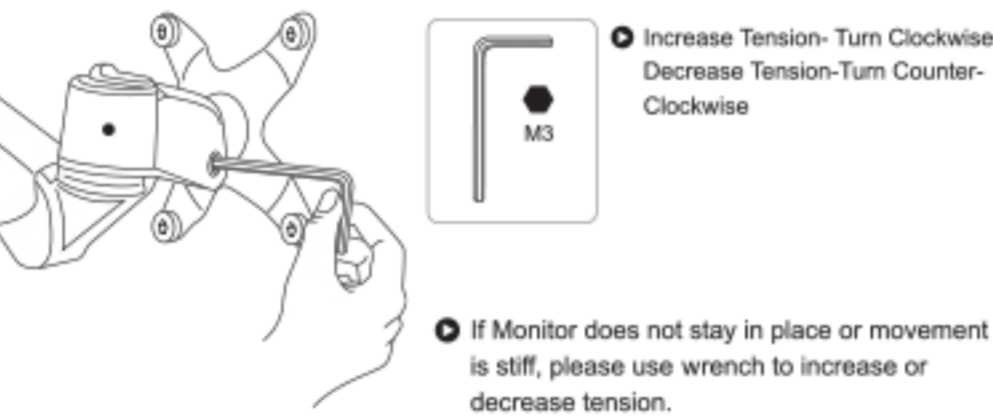
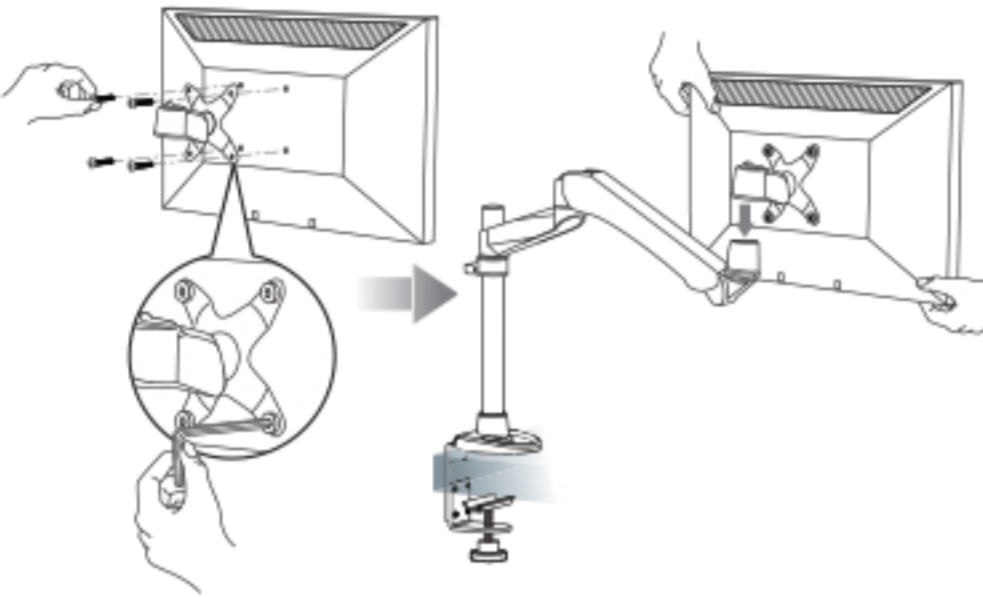
2 Install Arms



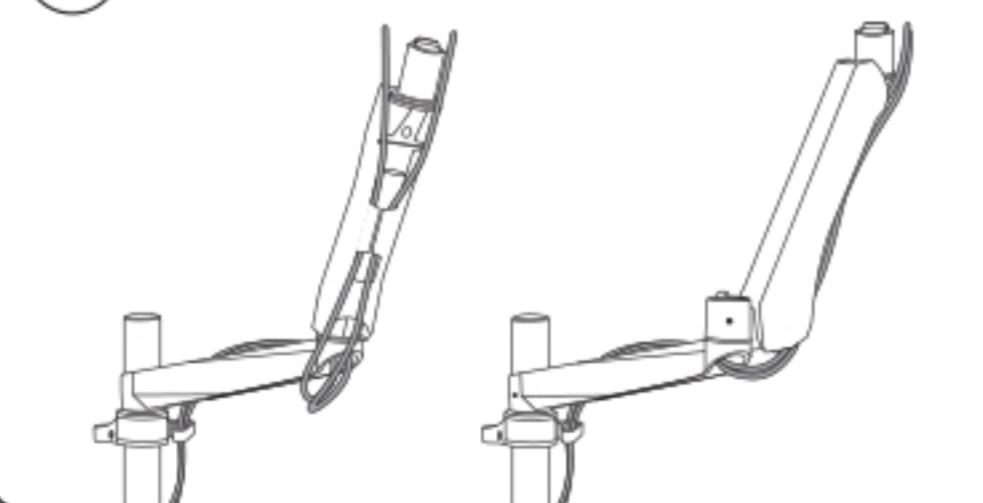
3 Install Monitors



Attention
If monitor weight is more than 10 lbs, or less than 5 lbs use wrench to adjust tension.



4 Wire Management

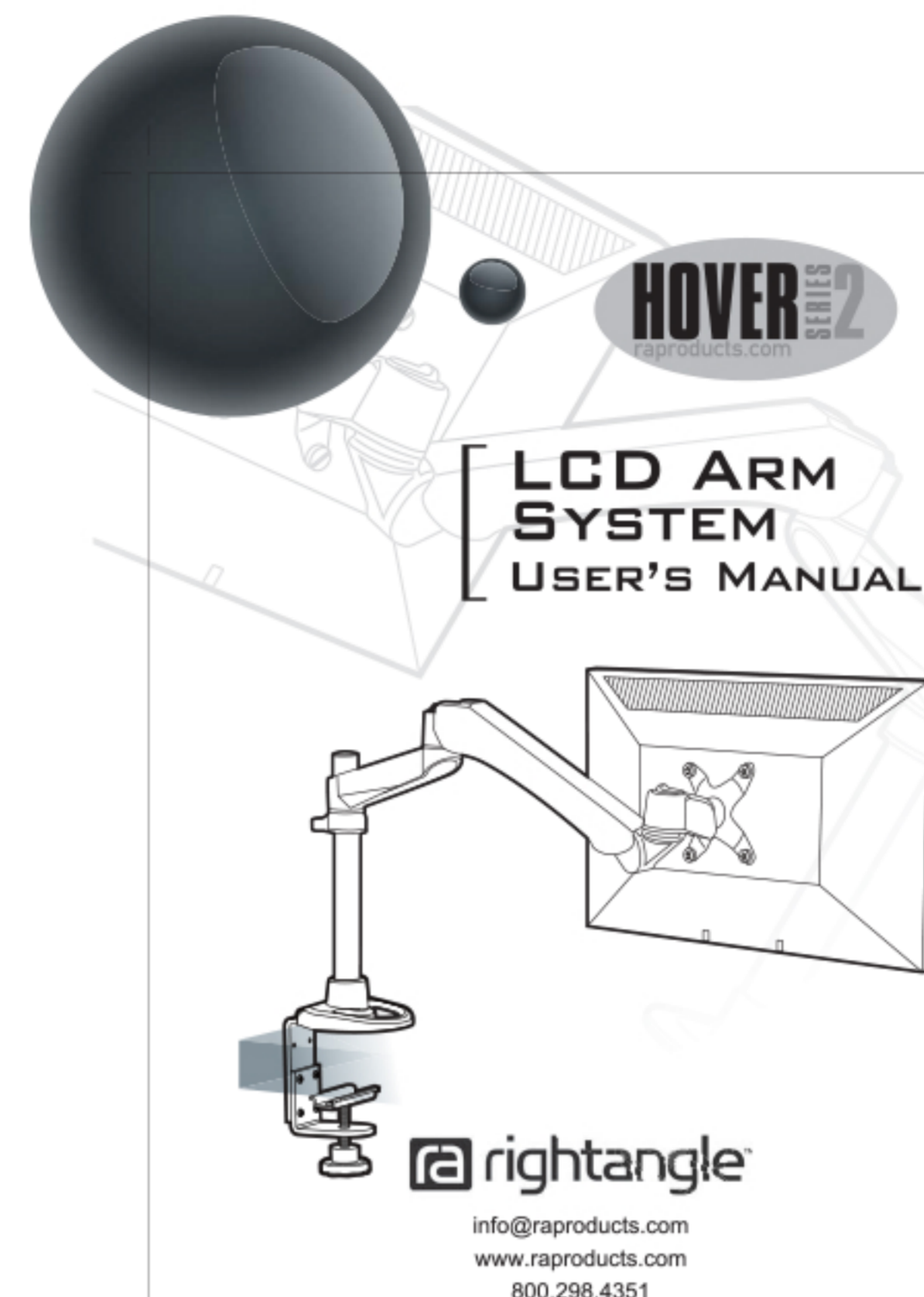
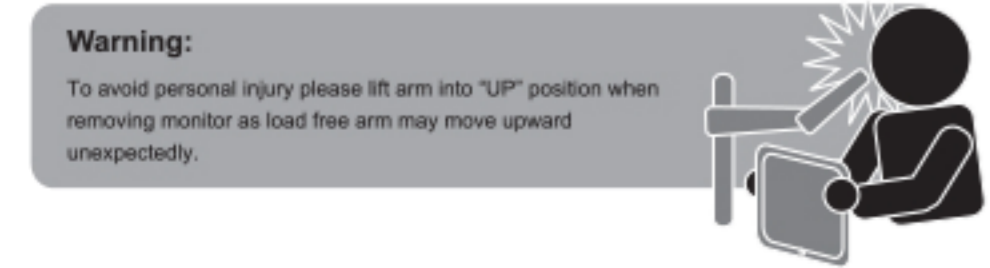


Warning:
To avoid personal injury please lift arm into "UP" position when removing monitor as load free arm may move upward unexpectedly.

Warranty
All RightAngle™ Products are warranted to be free of defects due to manufacturing or materials for a period of five years from shipment date. We will replace any defective part after inspection by a K & A Manufacturing, Inc., authorized agent. Customer is responsible for shipping charges to and from RightAngle™ Products. Costs incurred due to product replacement such as installation, labor charges, or transportation are not covered under this warranty. Modification of original product voids warranty and is non-refundable.

Features and Specifications

	VESA	LIFT	ANGLE	PIVOT	SWIVEL	PAN	TILT	EXTENSION	VERTICAL	Wt Load
HS1101	75x75mm 100x100	0-200mm	360°	360°	360°	105°				< 330lb
HS1111	75x75mm 100x100	0-200mm	360°	360°	270°	105°	0-200mm			< 330lb
HS1121	75x75mm 100x100	0-200mm	360°	360°	270°	105°	0-390mm			< 330lb
HS0100	75x75mm 100x100		360°	240°	20°	105°				< 330lb
HS0110	75x75mm 100x100		360°	240°	180°	105°	0-200mm			< 330lb
HS0120	75x75mm 100x100		360°	240°	270°	105°	0-390mm			< 330lb
HS3101	75x75mm 100x100		100°	360°	360°	360°	0-200mm	0-270mm		4-200lb
HS3111	75x75mm 100x100		100°	360°	360°	360°	0-400mm	0-270mm		4-200lb
HS3221	75x75mm 100x100	0-200mm	100°	360°	360°	360°	0-400mm	0-270mm		4-200lb
HS1211	75x75mm 100x100	0-200mm	100°	360°	360°	360°	0-400mm	0-270mm		4-200lb
HS1221	75x75mm 100x100	0-200mm		360°	360°	360°	0-390mm			< 330lb
HS1422	75x75mm 100x100	0-400mm		360°	360°	360°	0-390mm			< 330lb
HS1321	75x75mm 100x100	0-200mm		360°	360°	360°	0-390mm			< 330lb
HS1412	75x75mm 100x100	0-335mm		360°	360°	360°	0-260mm			< 330lb
HS1202	75x75mm 100x100	0-360mm		360°	360°	360°	0-200mm			< 330lb
HS1212	75x75mm 100x100	0-330mm		360°	360°	360°	0-200mm			< 330lb
HS1222	75x75mm 100x100	0-330mm		360°	360°	360°	0-390mm			< 330lb



Supplied Parts and Hardware

Parts	Model	HS1101	HS1111	HS1121	HS0100	HS0120	HS3101	HS3111	HS3221	HS1211	HS1221	HS1422	HS1321	HS1412	HS1202	HS1212	HS1222
Wall Mount #52447 with Anchor (x2), Screw (x2)					•	•											
M6 Wrench #52457							•	•	•								
M3 Wrench #52456		•	•	•	•	•	•	•	•	•	•	•	•	•	•	•	•
EVA Cushion		•	•	•			•	•	•	•	•	•	•	•	•	•	•
Spring Arm #52449							x1	x1	x2								
Swivel Arm #52448		•	•	•	•	•	•	•	•	•	•	•	•	•	•	•	•
Monitor Bracket with Hardware M4x12mm #52446		x1	x1	x1	x1	x1	x1	x2	x2	x4	x4	x4	x4	x4	x2	x2	x2
HS Black Adjustable Ring #52459		x1	x1	x1				x1	x1	x1	x2	x2	x2	x2	x2	x2	x2
82mm (3.2") Post with service kit #52455							•	•									
30cm (11.8") Post with service kit #52453		•	•	•						•	•	•					
50cm (19.7") Post with service kit #52454													•	•	•	•	•
Dual Stand #52450											x1	x1	x2	x1	x2		

71H016135-004

1 Installation Options

