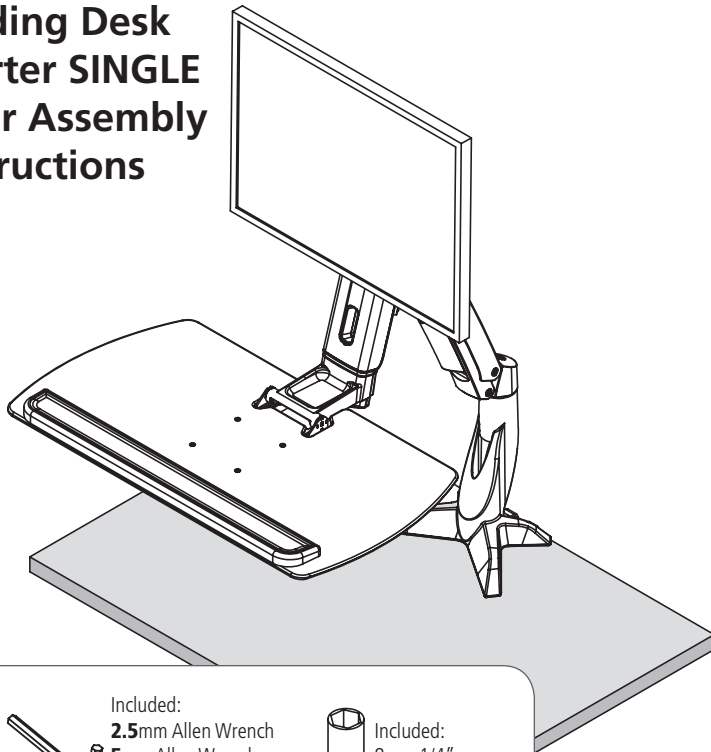


Standing Desk Converter SINGLE Monitor Assembly Instructions



Moving parts without advanced notice can result, crush and cause personal injury! Be cautious when handling.

Make sure the depth of desk is compatible to the optional sit-stand base intended to be installed. Fail to follow the criteria shall result in collision or personal injury.

Tools Required for Assembly:

- 2.5mm Allen Wrench
- 5mm Allen Wrench
- 6mm Allen Wrench
- Phillips Screwdriver
- Ratchet 1/4" drive and extension

Included:

- 8mm 1/4" Drive Socket

Hardware (may have extra)

<p>M6 x10 Machine Screw x7</p> <p>1</p>	<p>M6 x16 Flat Head Machine Screw x4</p> <p>2</p>	<p>M8 x65 Machine Screw x1</p> <p>3</p>
<p>19mm Nylon Washer x1</p> <p>4</p>	<p>19mm Steel Washer x1</p> <p>5</p>	<p>M8 x20 Machine Screw x1</p> <p>6</p>
<p>M6 x18 Machine Screw x4</p> <p>7</p>	<p>53580 8-32 x 1/2 Machine Screw x4</p> <p>8</p>	<p>53648 8-32 Serrated Flange Nut x4</p> <p>9</p>
<p>52443 8-32 x 1/2 Machine Screw x3</p> <p>10</p>	<p>52127 M4-.7 x 10 Machine Screw x4</p> <p>11</p>	<p>M6 x8 Machine Screw x1</p> <p>12</p>

Clamp 1a

5mm

M6 x10 Machine Screw x4

1

These screws first; then the clamp.

2

M6 x16 Flat Head Machine Screw x4

Grommet 1b

Adapter Plate

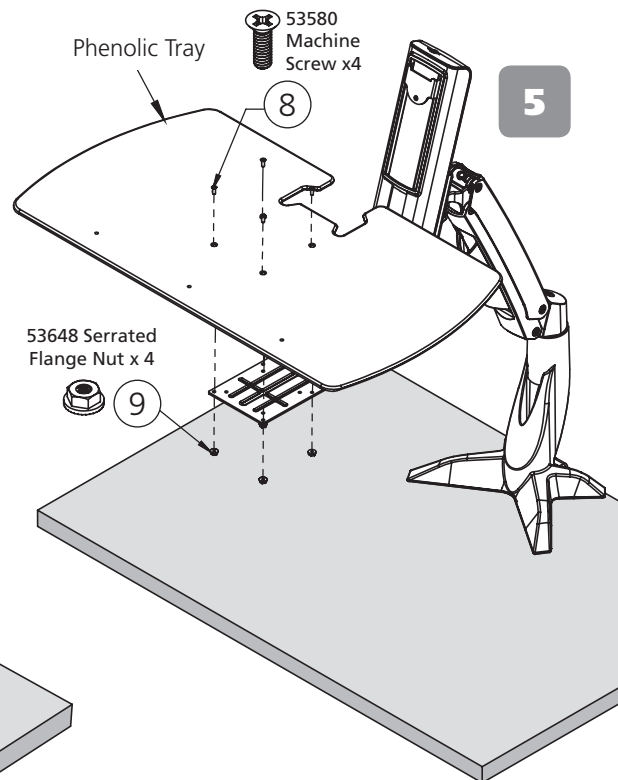
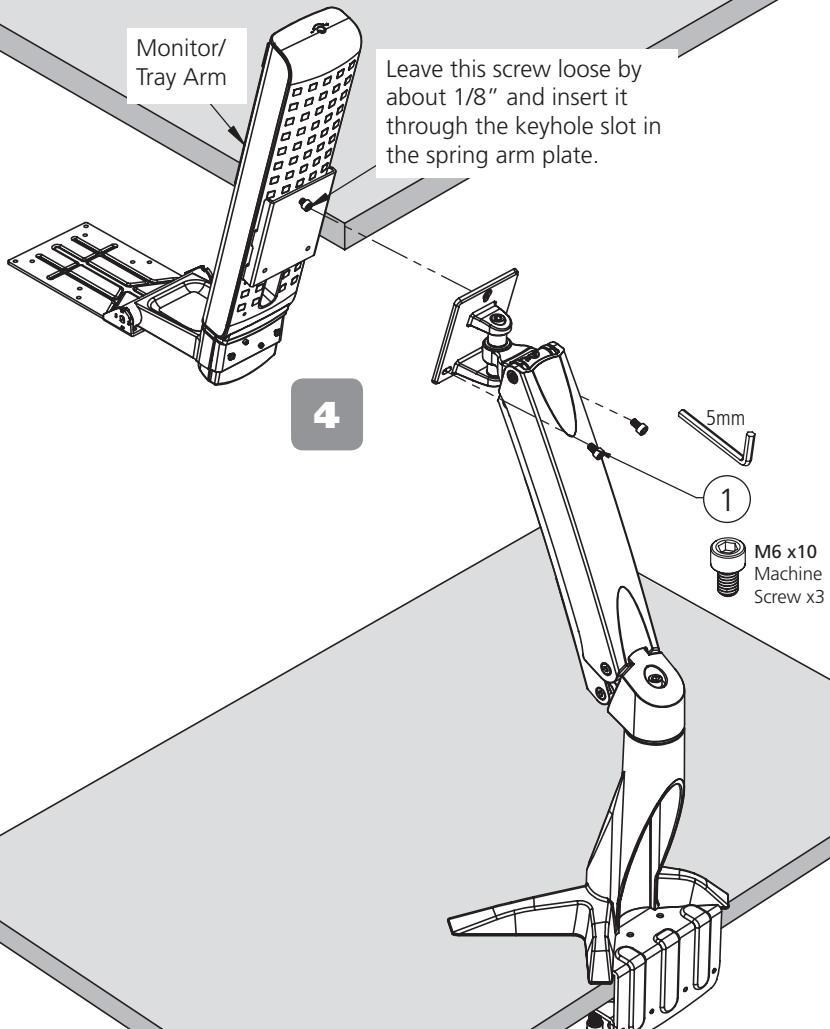
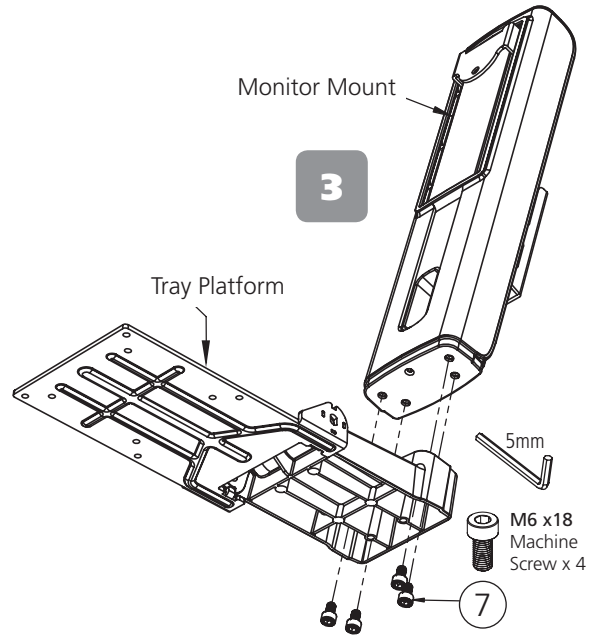
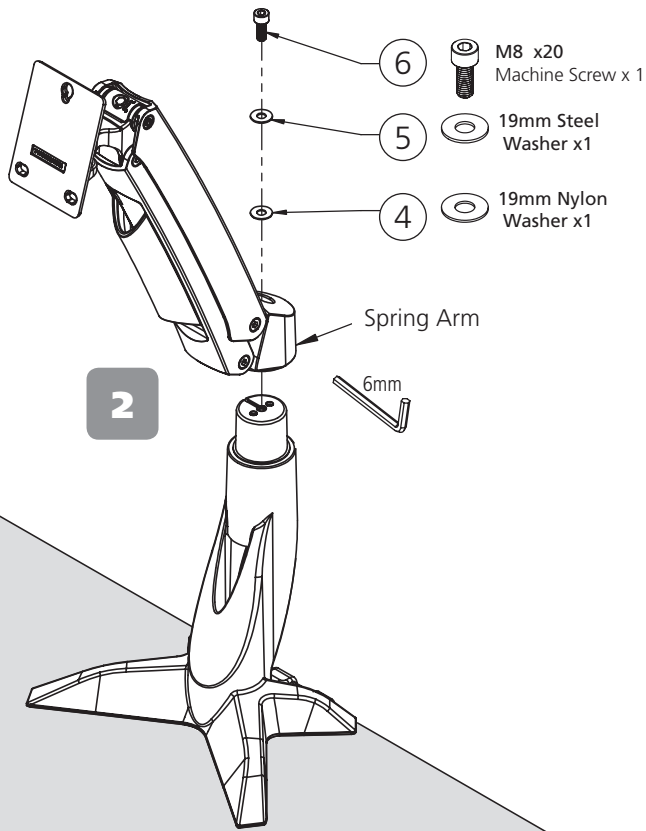
2

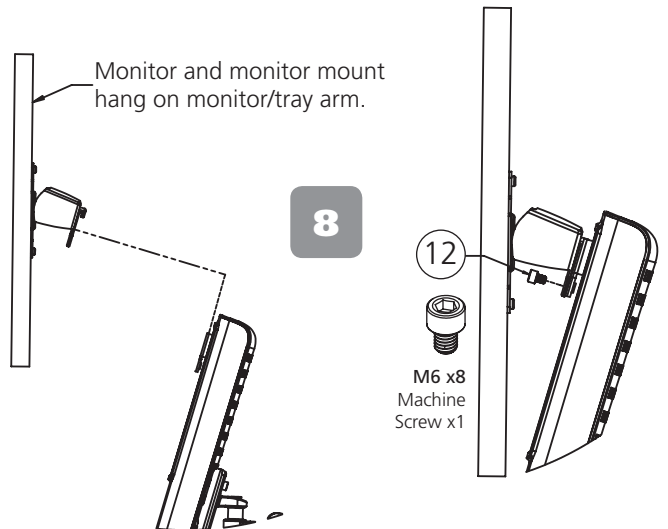
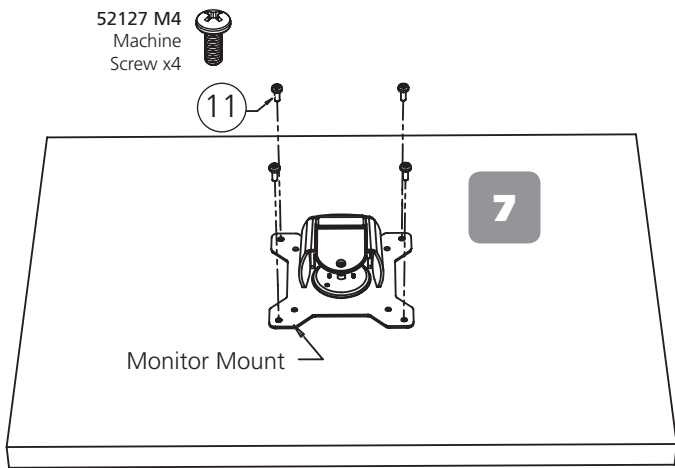
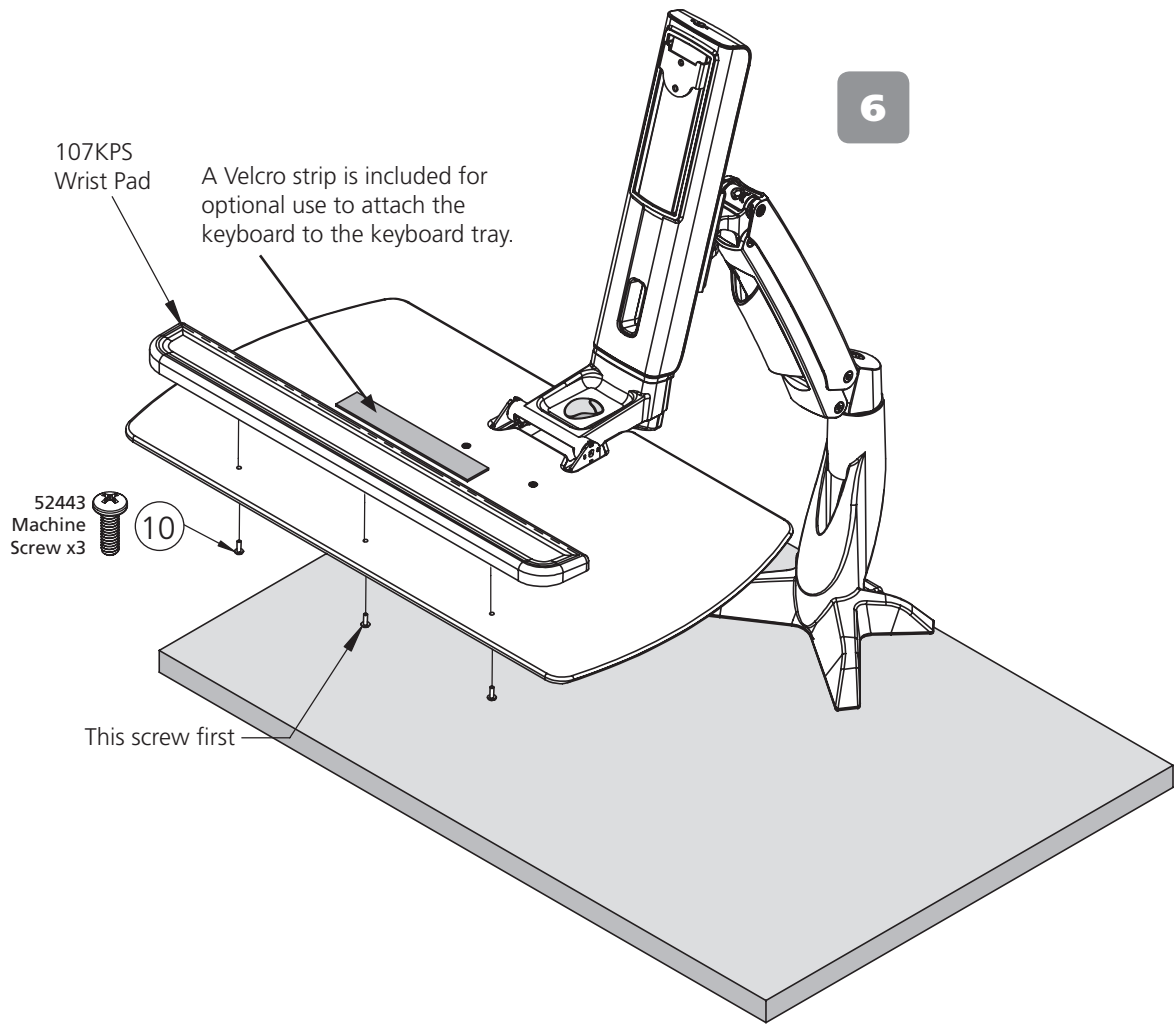
M6 x16 Flat Head Machine Screw x4

Grommet Clamp

3

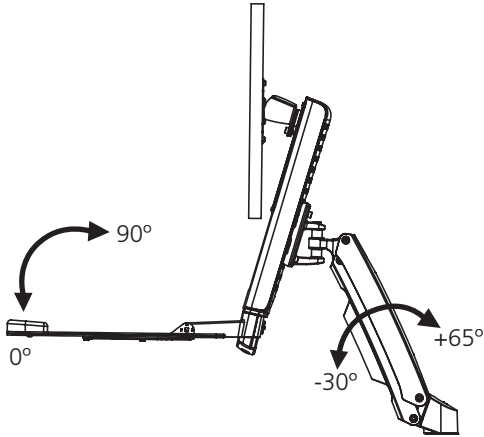
M8 x65 Machine Screw x1



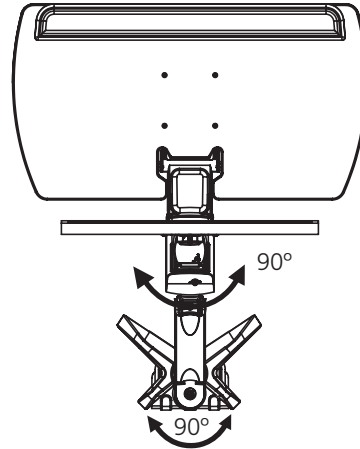


User Guide

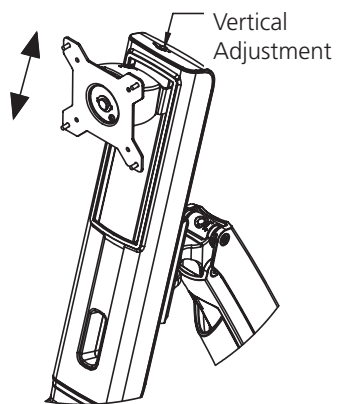
Tray Tilt & Swing Arm Height Adjustment



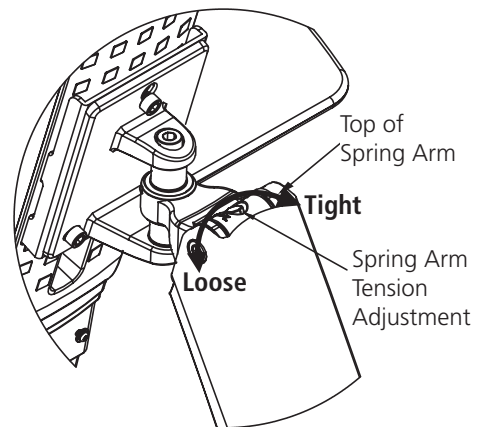
Arm Swing Adjustment



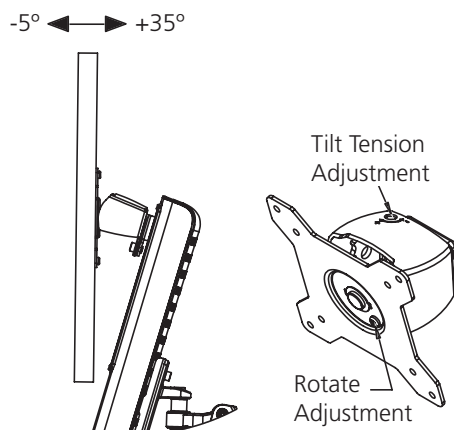
Vertical Tension Adjustment



Spring Arm Tension Adjustment



Single Monitor Tilt Tension Adjustment



Wire Management

