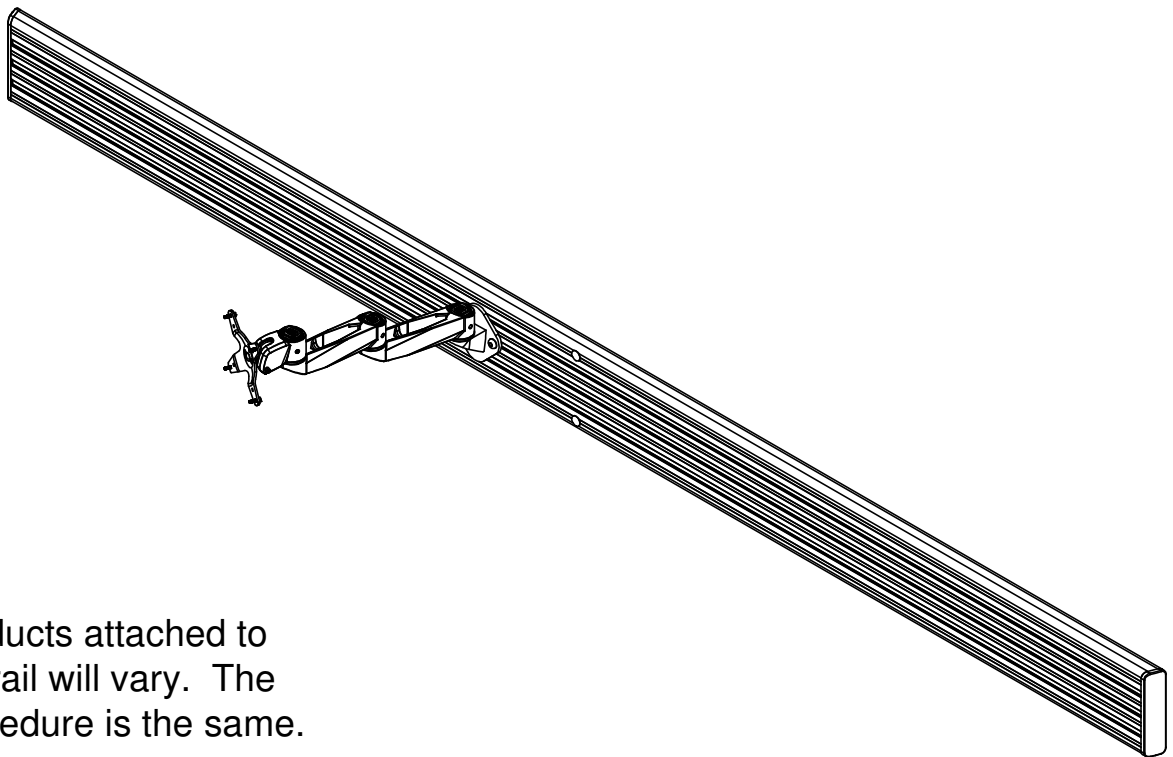




**Hover Wall Mount Rail  
Installation Instructions  
Warranty: [raproducts.com/warranty](http://raproducts.com/warranty)**



Products attached to the rail will vary. The procedure is the same.



Power Driver with Adjustable Torque



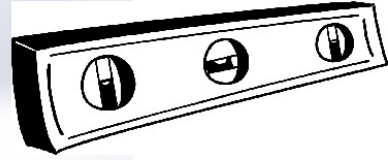
3/16" Hex Head Driver Bit or Allen Wrench



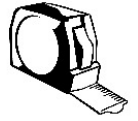
Center Punch



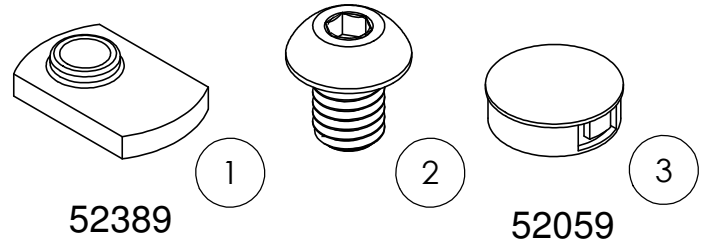
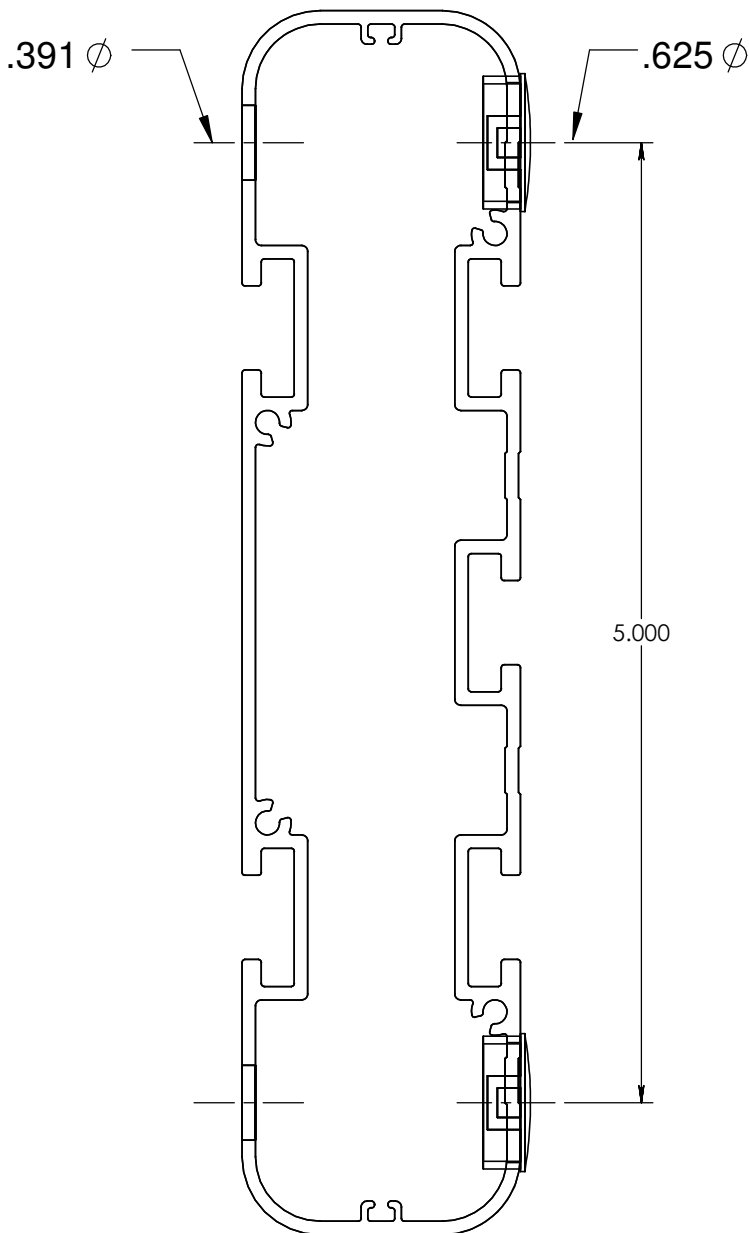
25/64" & 5/8" Drill Bits



Level



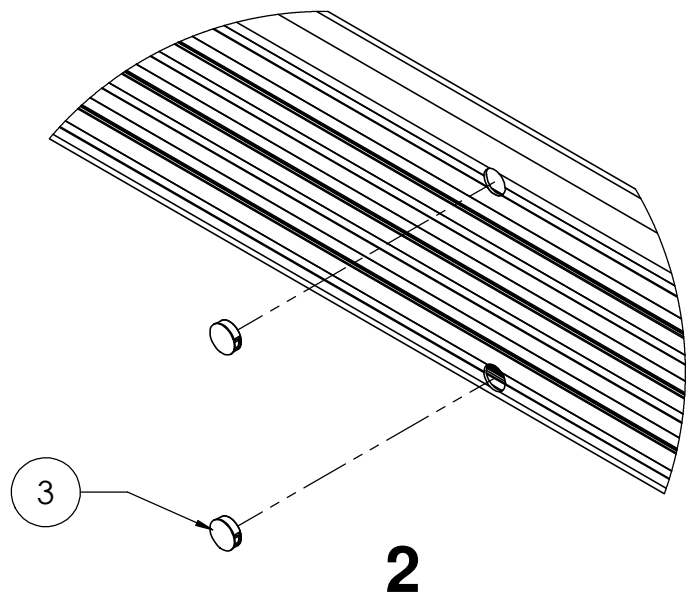
Tape Measure



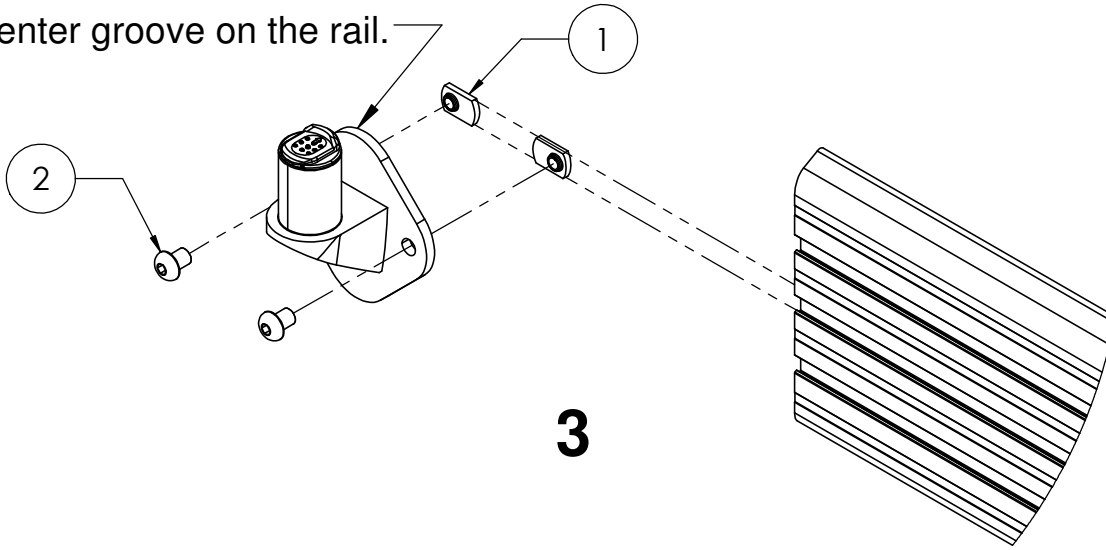
**Drill Anchorage Holes:**

< 48" Rail 2 Anchorage Points  
 48"-60" Rail 3 Anchorage Points  
 > 60" Rail 4 Anchorage Points  
 Holes at the ends of the rail may be used for anchorage. RA Products does not provide anchorage or fasteners.

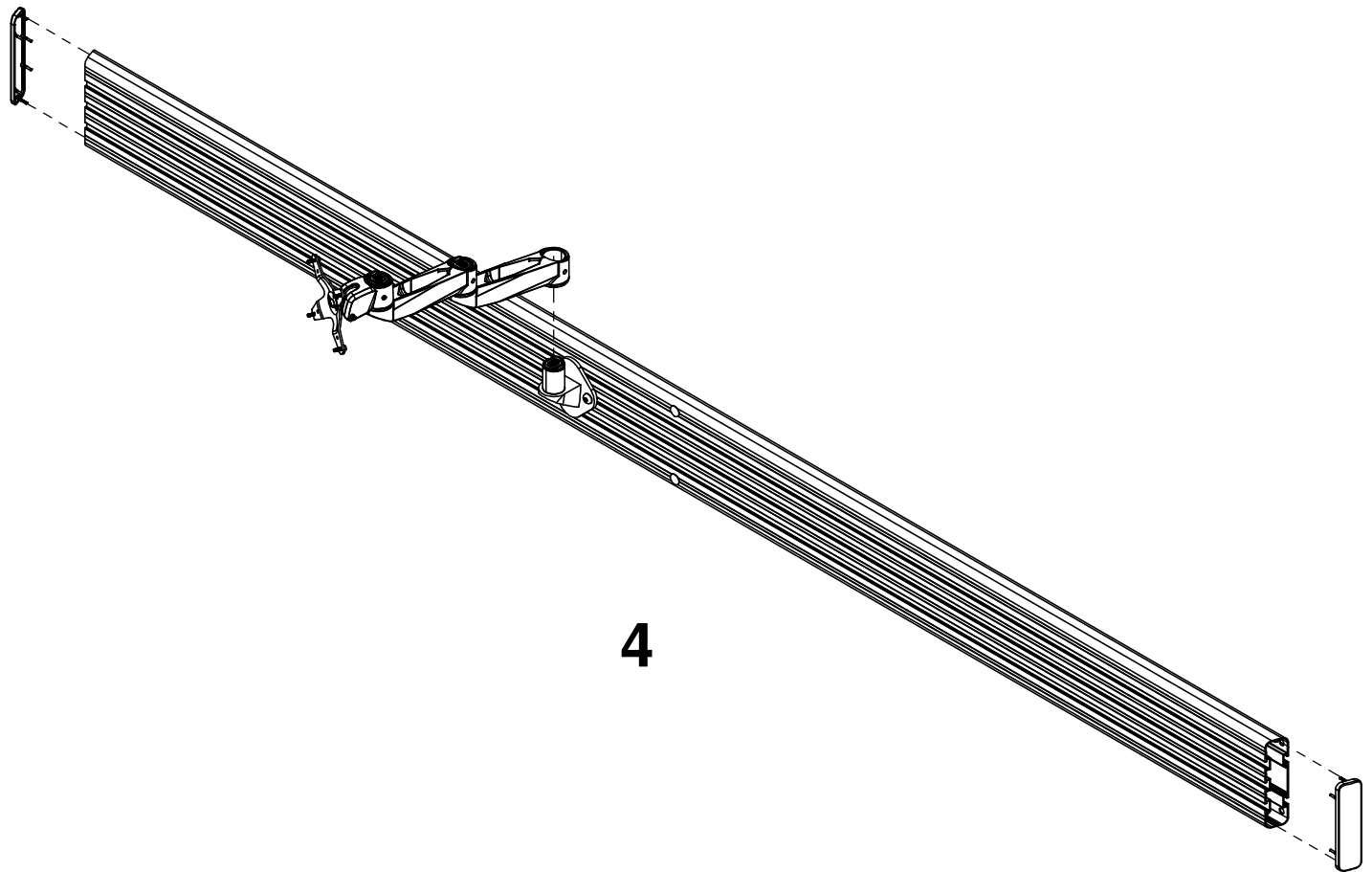
Anchor the rail to the wall.



Build this as a subassembly  
and slide the weld nuts into  
the center groove on the rail.



**3**



**4**