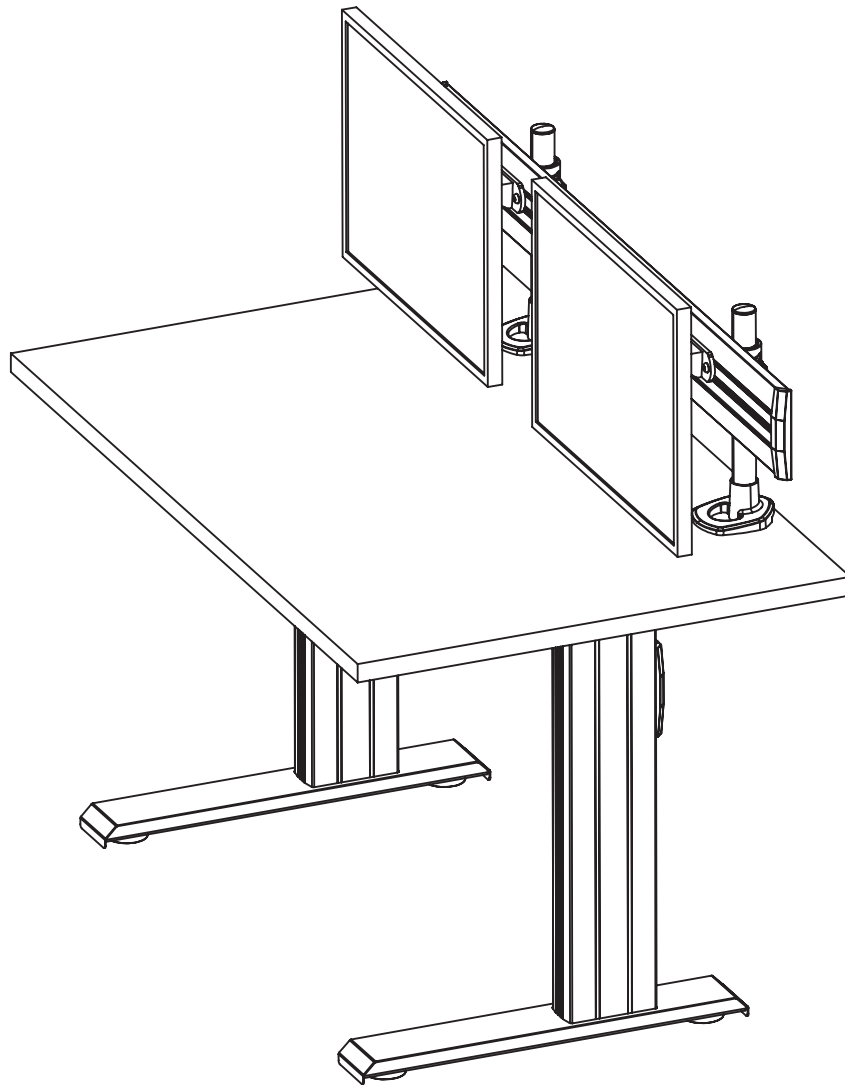




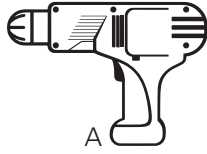
Hover Rail System Assembly Workstation
Warranty: raproducts.com/warranty



**Your rail system may look different than the one shown here.
The procedure is the same.**

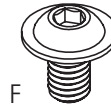
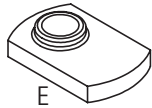
Tools Required for Assembly

- A. Power Driver with Adjustable Torque
- B. Tape Measure
- C. #2 Phillips Head Driver Bit
- D. #2 Square Head Drive Bit (**Recommended**)

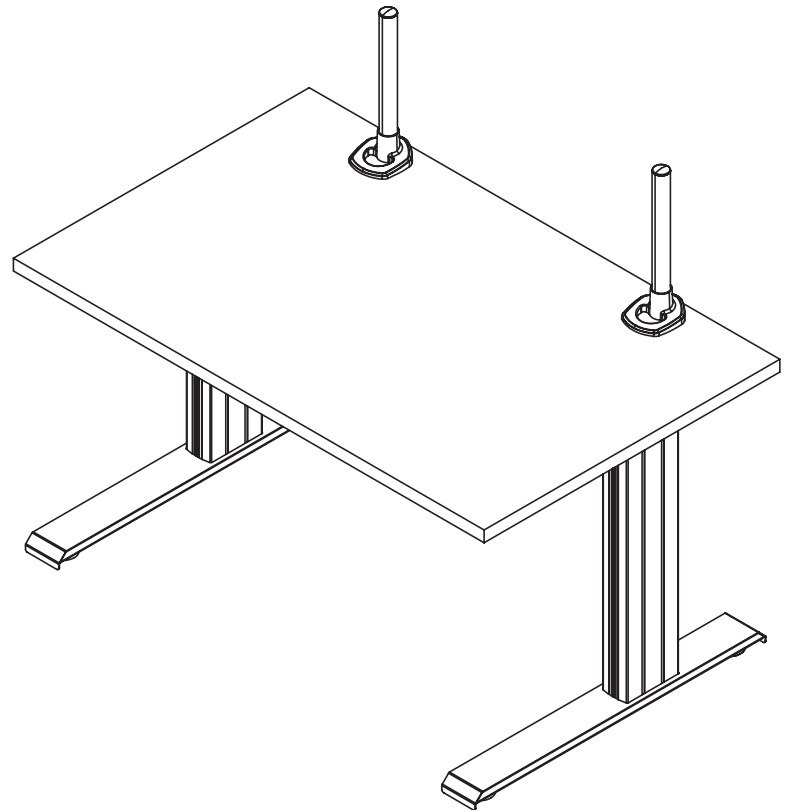


Hardware and Tools Included for Assembly *(may have extra)*

- E. 5/16-18 Weld Nut x8
- F. 5/16-18 x 1/2 Button Head Cap Screw x8

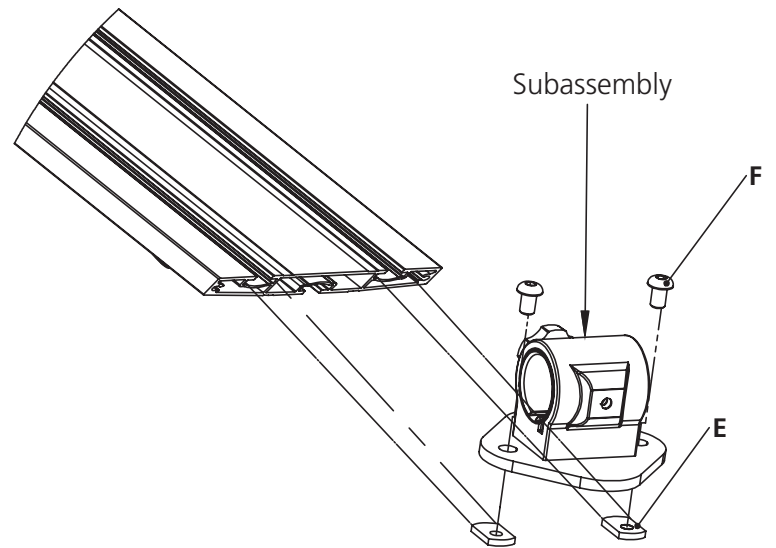


Step 1

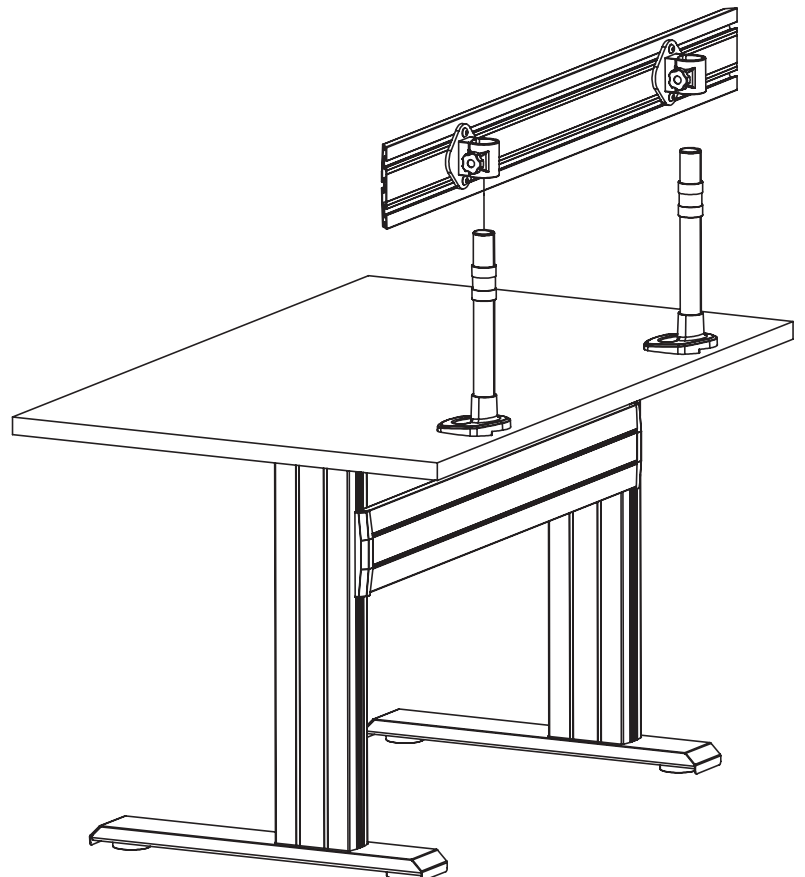


Step 2

- Build this subassembly and slide the weld nuts into the grooves on the back of the rail.

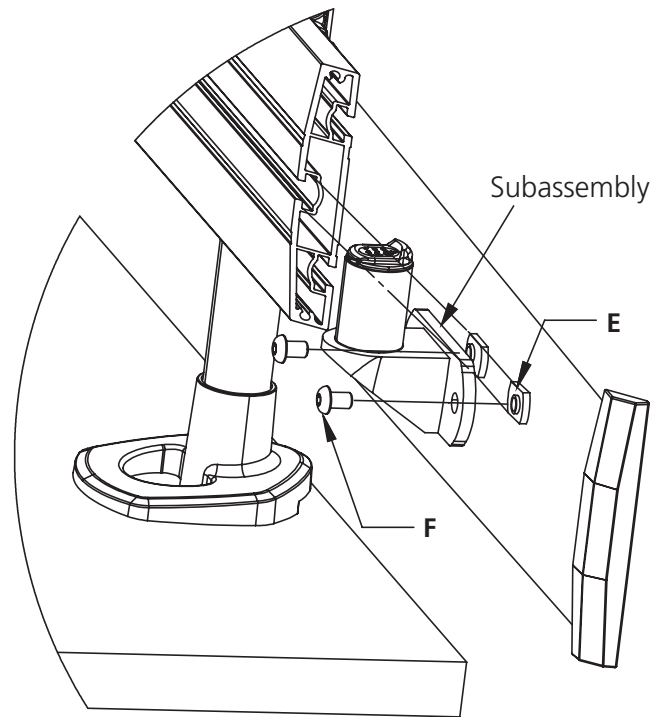


Step 3

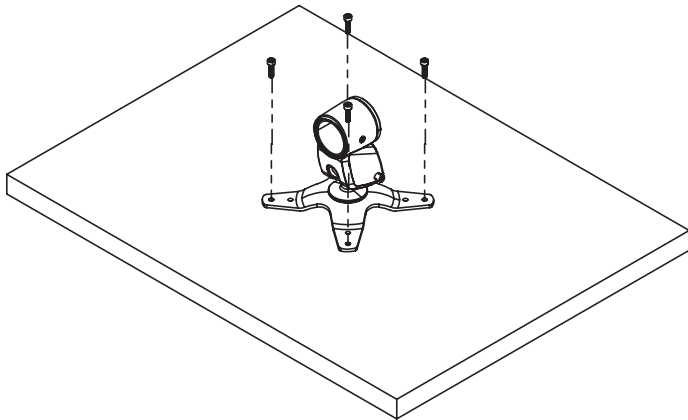


Step 4

- Build this subassembly and slide the weld nuts into the center groove on the front of the rail.



Step 5



Step 6

