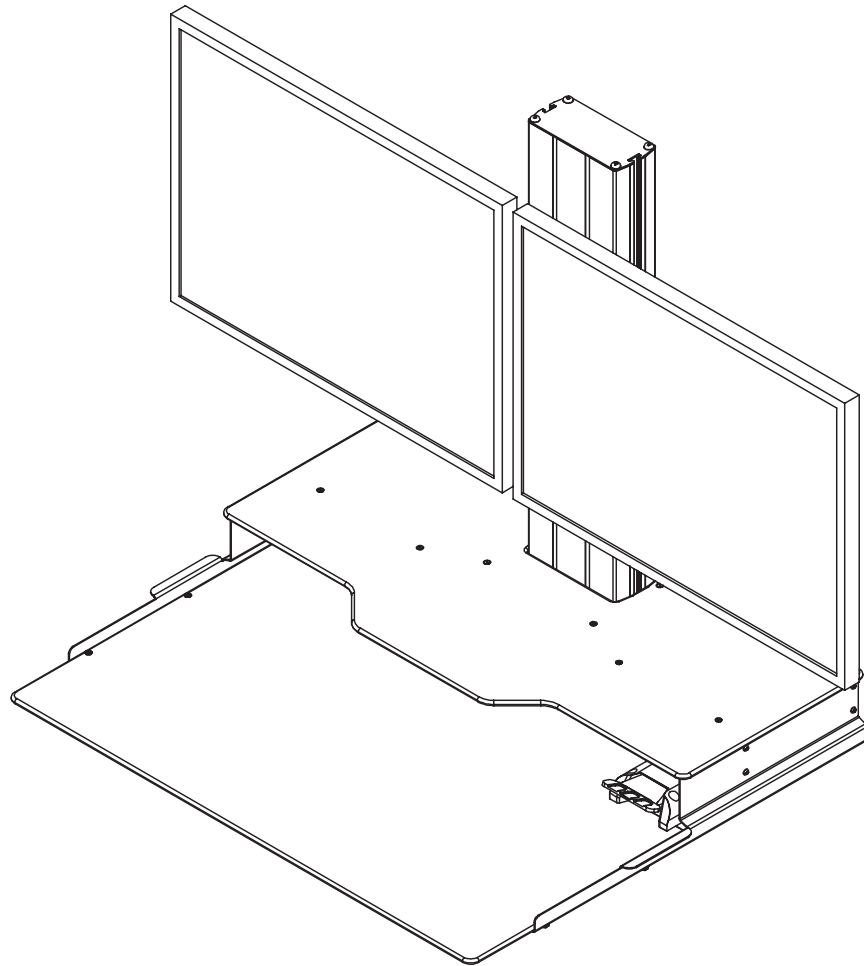
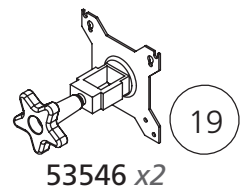
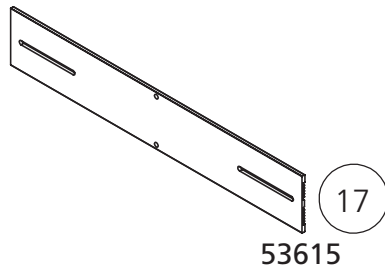
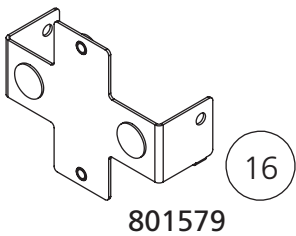
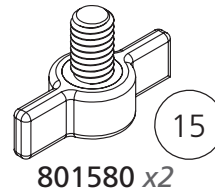
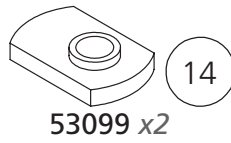
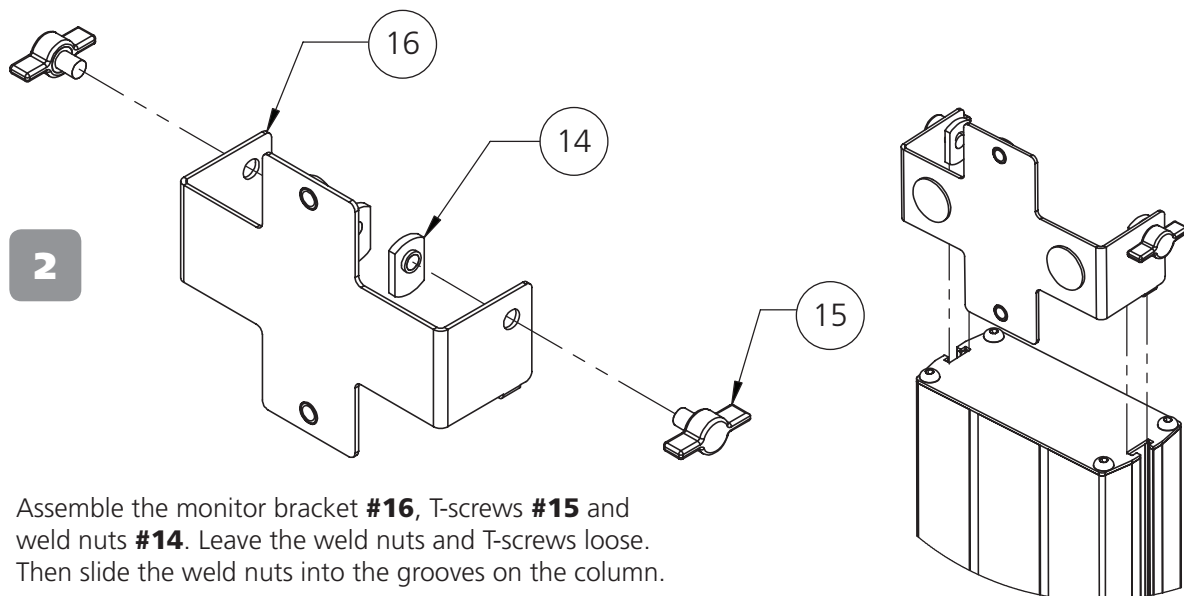
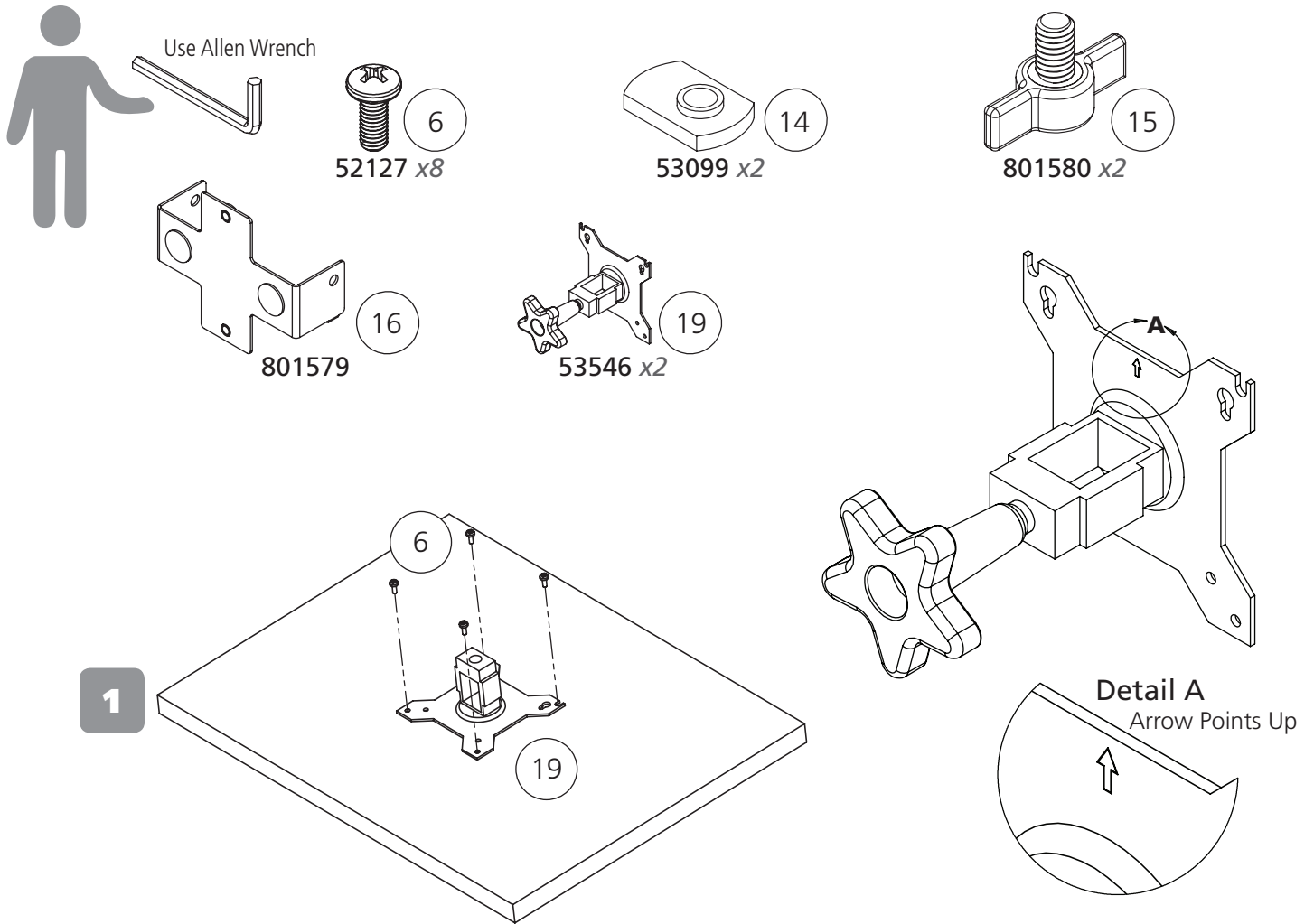


# Desk Top Gas Lift DUAL Monitor Assembly Instructions

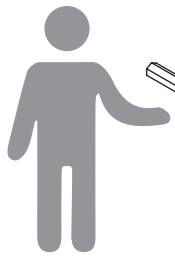


## Hardware (may have extra)

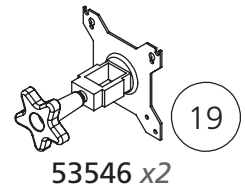
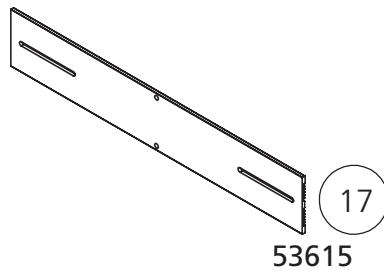




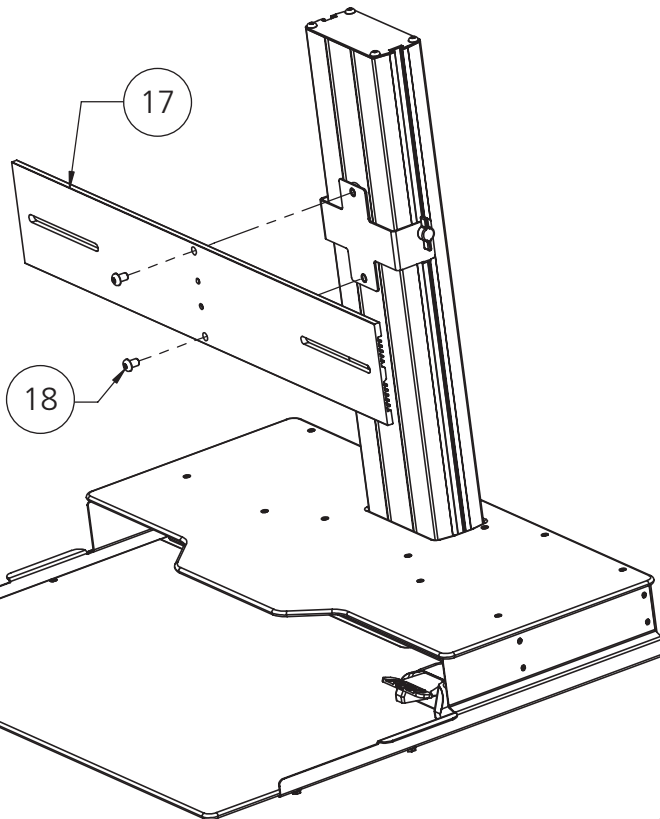
Assemble the monitor bracket **#16**, T-screws **#15** and weld nuts **#14**. Leave the weld nuts and T-screws loose. Then slide the weld nuts into the grooves on the column. The monitor bracket can be adjusted vertically on the column by loosening the T-screws.



Use Allen Wrench



3



4

