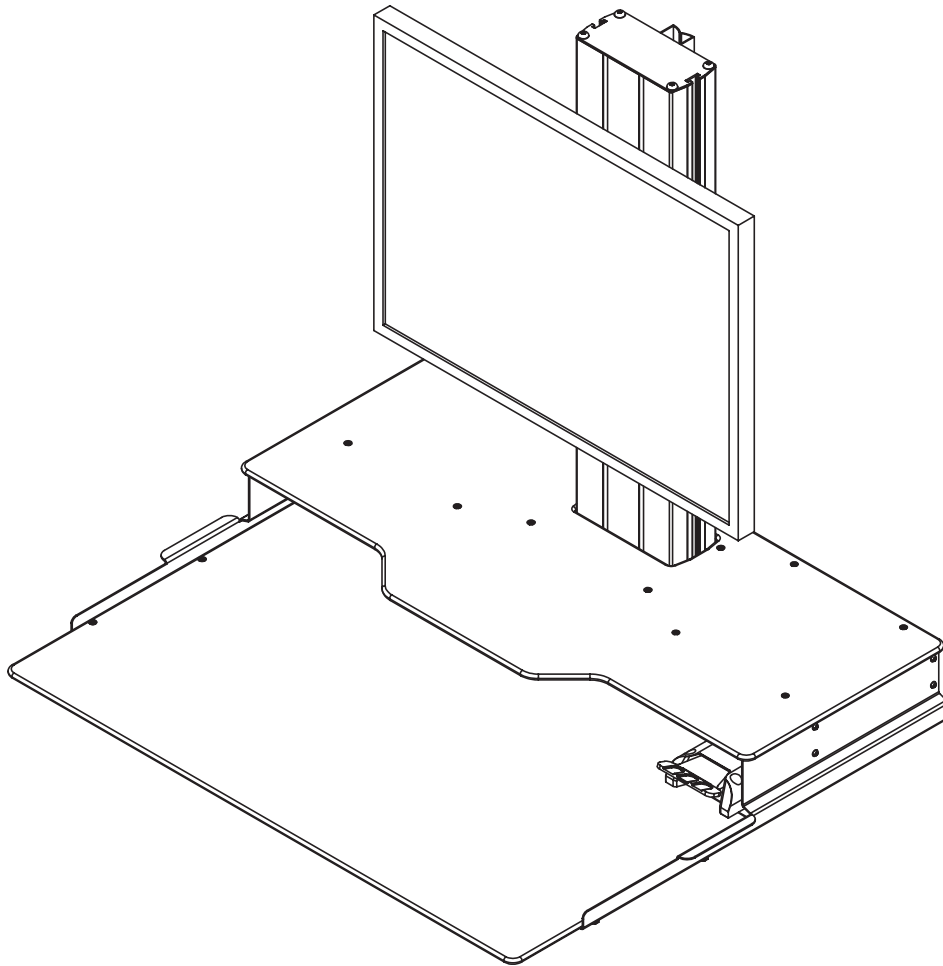
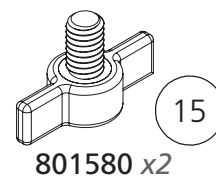
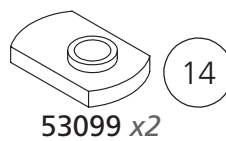
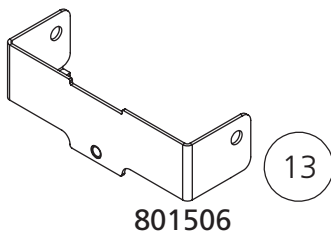
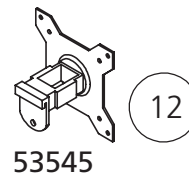
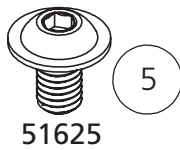
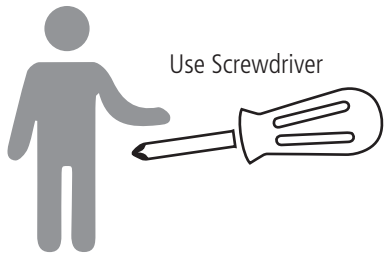


Desk Top Gas Lift SINGLE Monitor Assembly Instructions

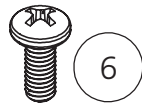


Hardware (may have extra)



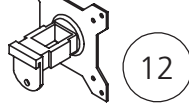


52127 x4



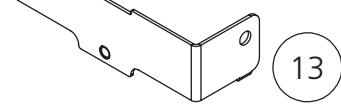
6

53545



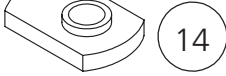
12

801506

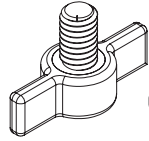


13

53099 x2



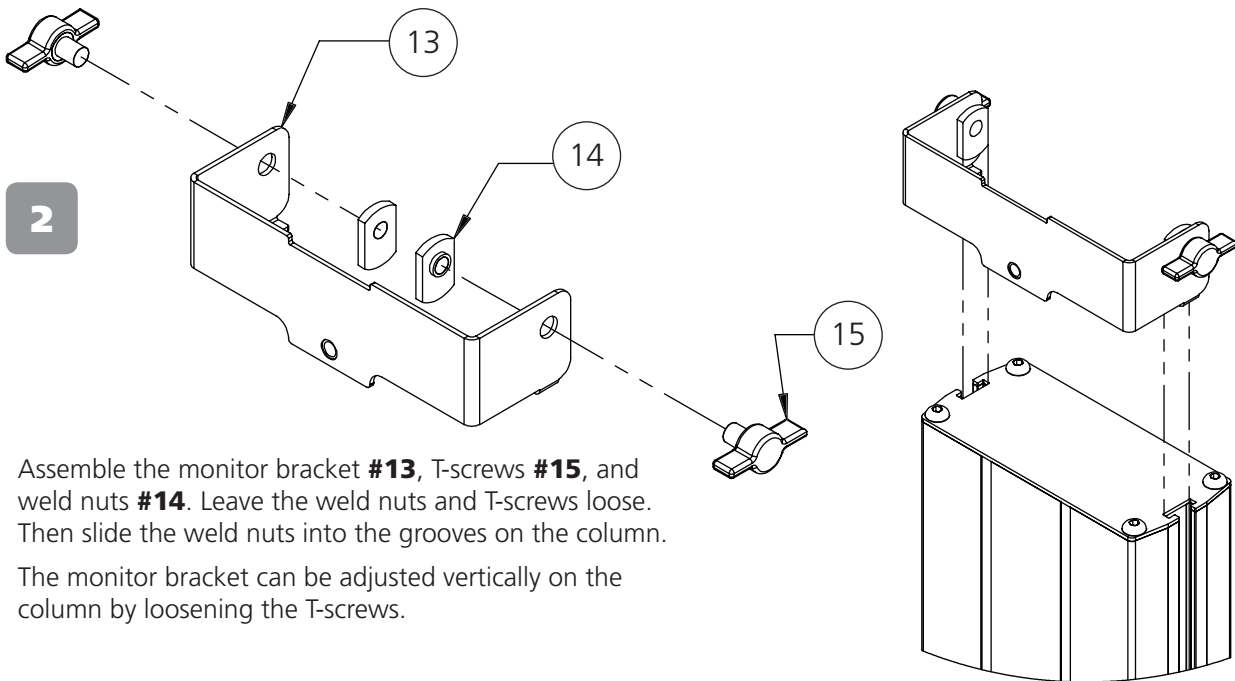
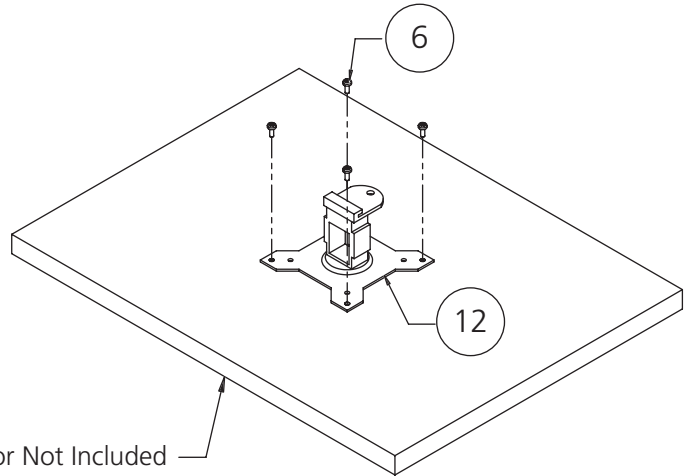
14



801580 x2

15

1



Assemble the monitor bracket **#13**, T-screws **#15**, and weld nuts **#14**. Leave the weld nuts and T-screws loose. Then slide the weld nuts into the grooves on the column.

The monitor bracket can be adjusted vertically on the column by loosening the T-screws.

