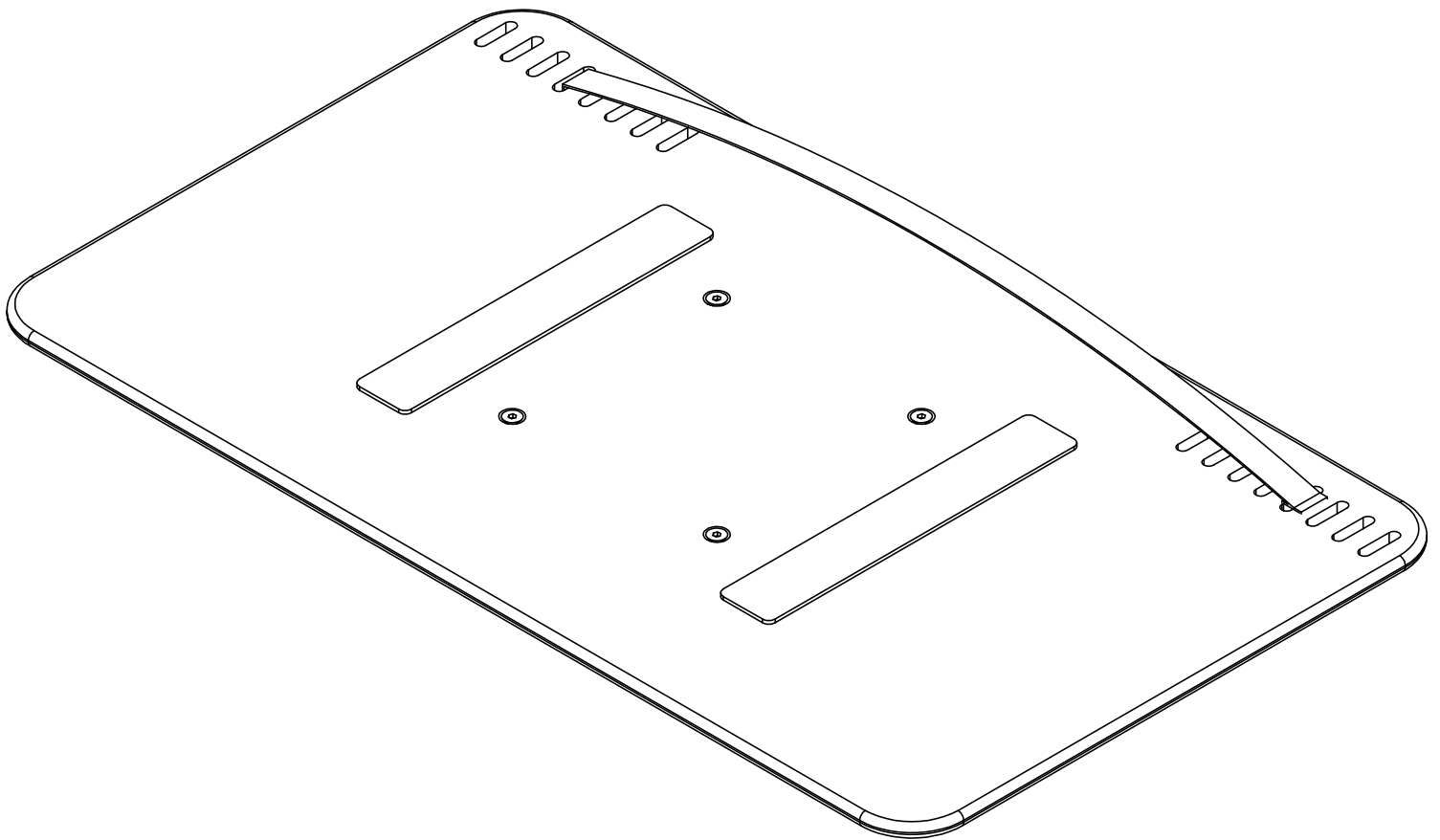
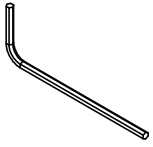




**Laptop Holder Assembly Instructions**  
**Warranty: [raproducts.com/warranty](http://raproducts.com/warranty)**



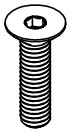


2.5mm  
ALLEN WRENCH



Tape Measure

1



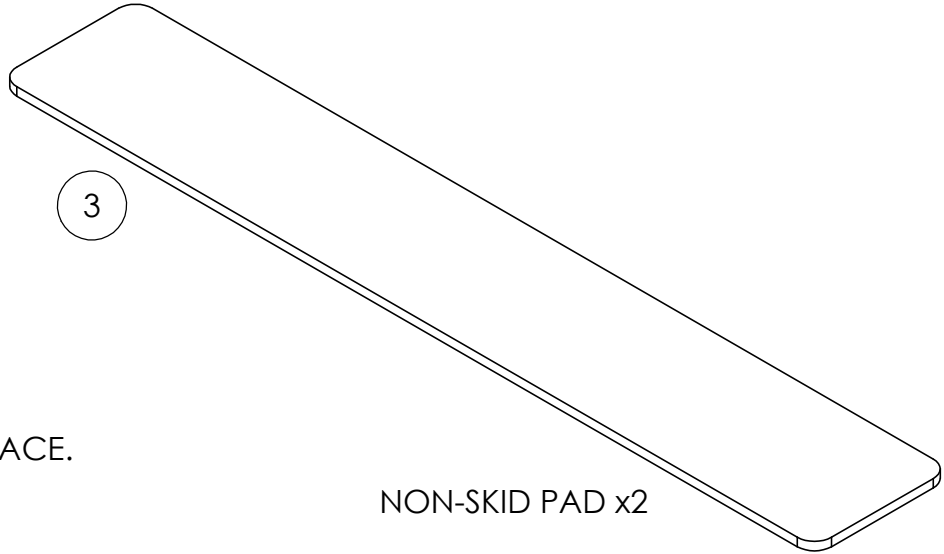
M4-0.70 x 16 x 4

2



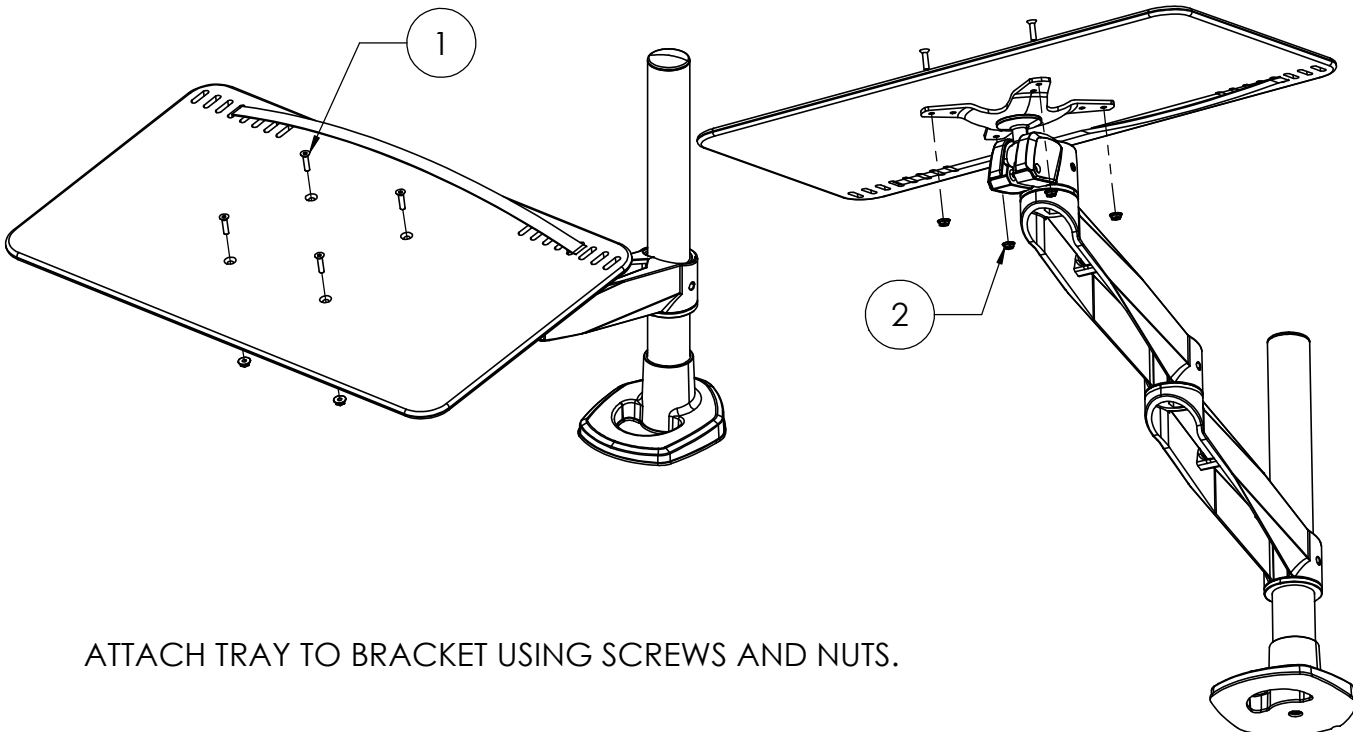
M4-0.70 x 4

3

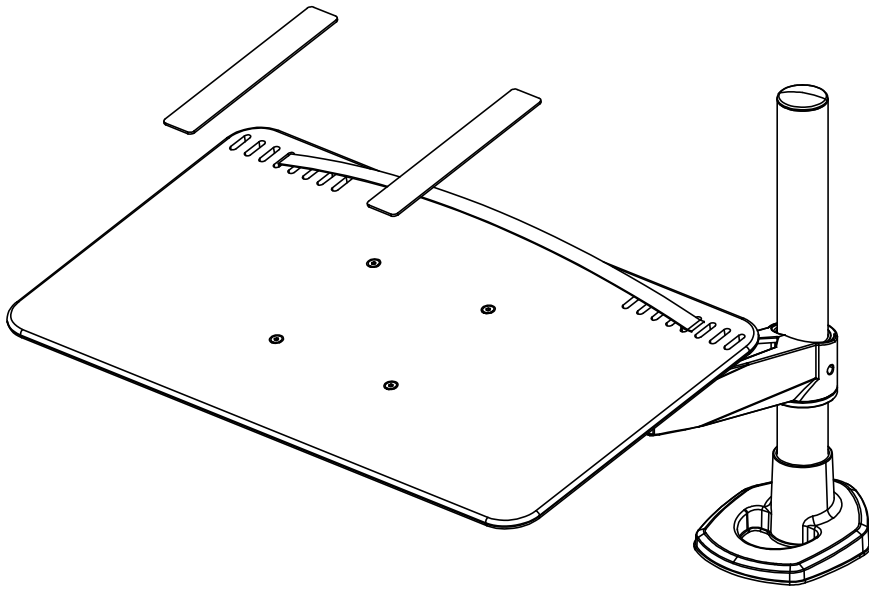


NON-SKID PAD x2

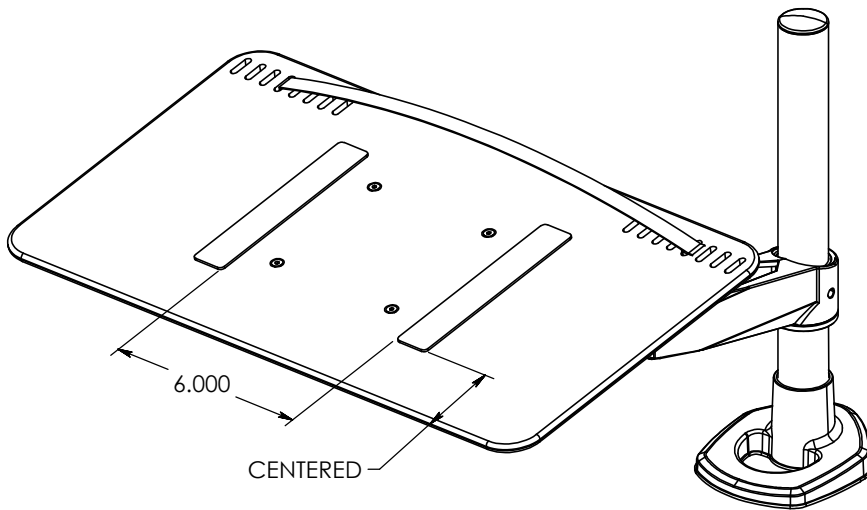
INSTALL HOVER ARM ON WORKSURFACE.



ATTACH TRAY TO BRACKET USING SCREWS AND NUTS.



INSTALL NON-SKID PADS  
(OPTIONAL)



PLACEMENT OF NON-SKID PADS  
MAY DIFFER, DEPENDING ON  
MODEL AND SIZE OF LAPTOP.

STRAP ROUTING DIAGRAM  
FRONT VIEW

