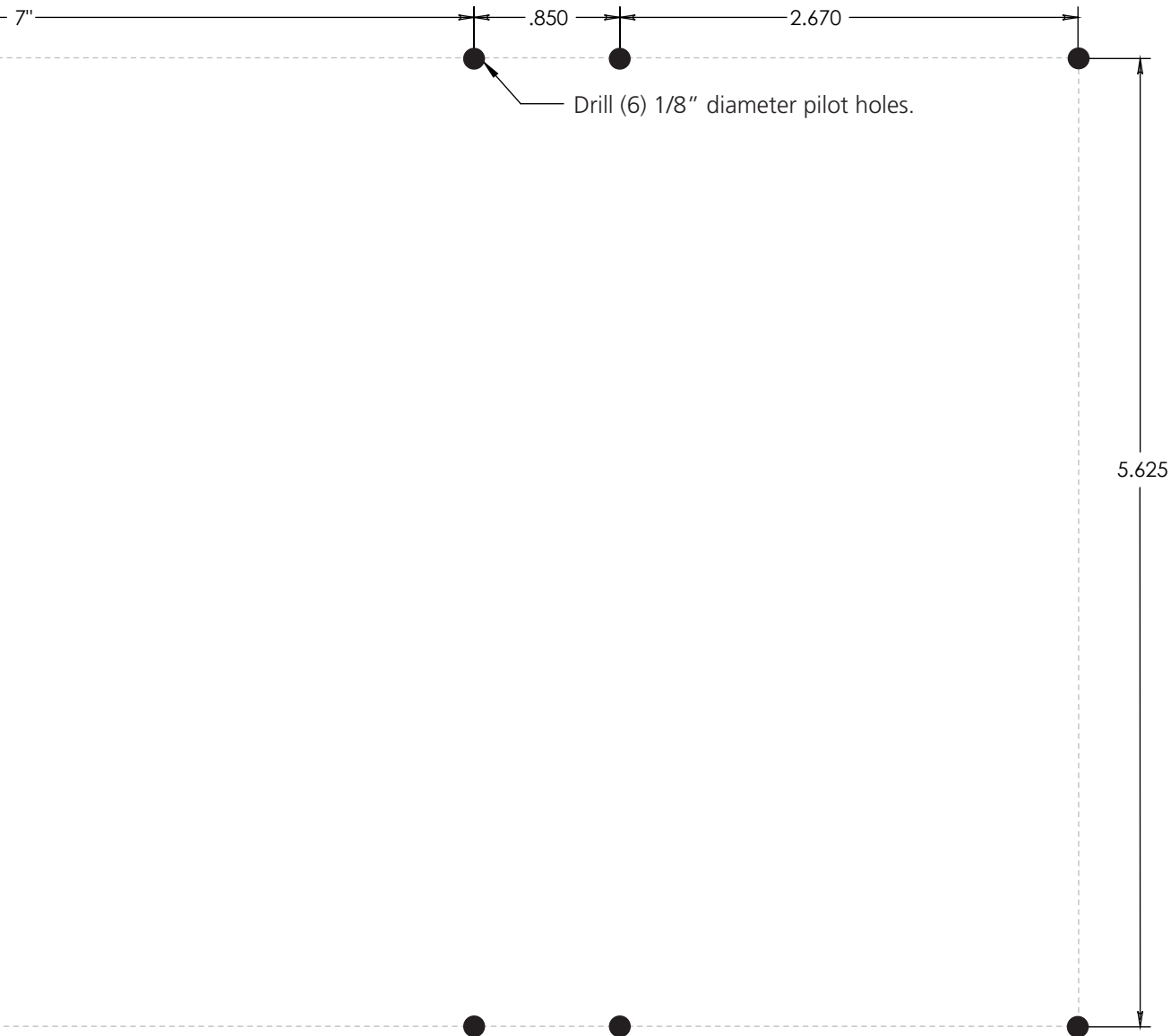




TLF/S Trackless Arm Mounting Instructions & Template

Hold this edge of the template to front edge of the worksurface.



Step 1

Tape this template to the underside of the worksurface flush with the front edge and centered on the location you want the arm to be mounted.

Step 2

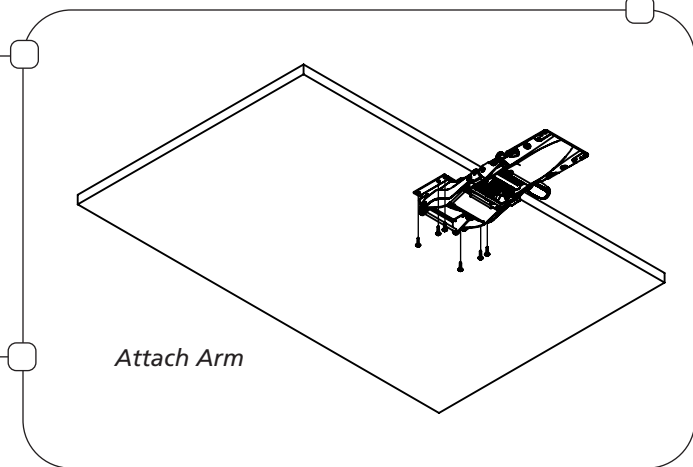
Drill (6) 1/8" pilot holes through the template at the locations shown. Be careful not to drill through the top of the worksurface.

Step 3

Remove the template and install (2) of the wood screws that came with the arm in the front pilot holes. Leave a 1/8" gap between the screw head and the underside of the worksurface.

Step 4

With the keyboard arm extended, slide the (2) slotted holes on the mounting plate over the front screws. Fully tighten.



Step 5

Install the (4) remaining screws. Fully tighten.

Step 6

Install the tray or drawer on the arm.

