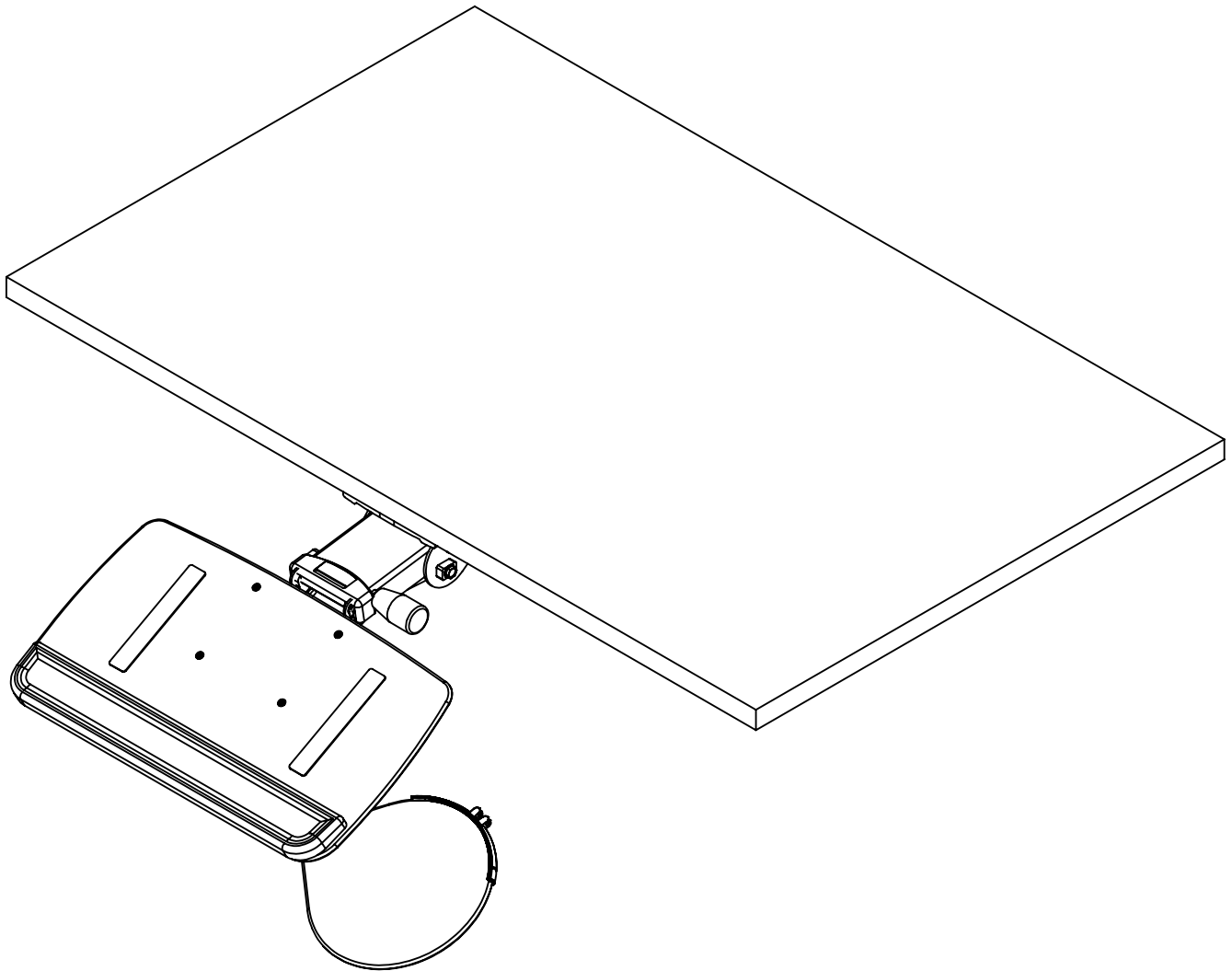




**Phenolic Keyboard And Mouse Tray
Articulating Arm Installation Instructions
Warranty: raproducts.com/warranty**



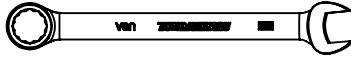
rightangle™ Phenolic Tray # 50891



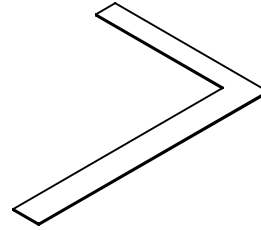
Power Driver with Adjustable Torque



#2 Phillips Head Driver Bit



3/8" Wrench, Socket or Driver Bit

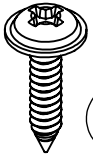


Square



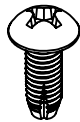
Tape Measure

* NOTE: Depending on your tray, the hardware below may be different.



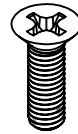
1

51708 x6



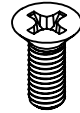
2

50200 x2



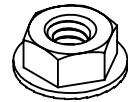
3

50136 4



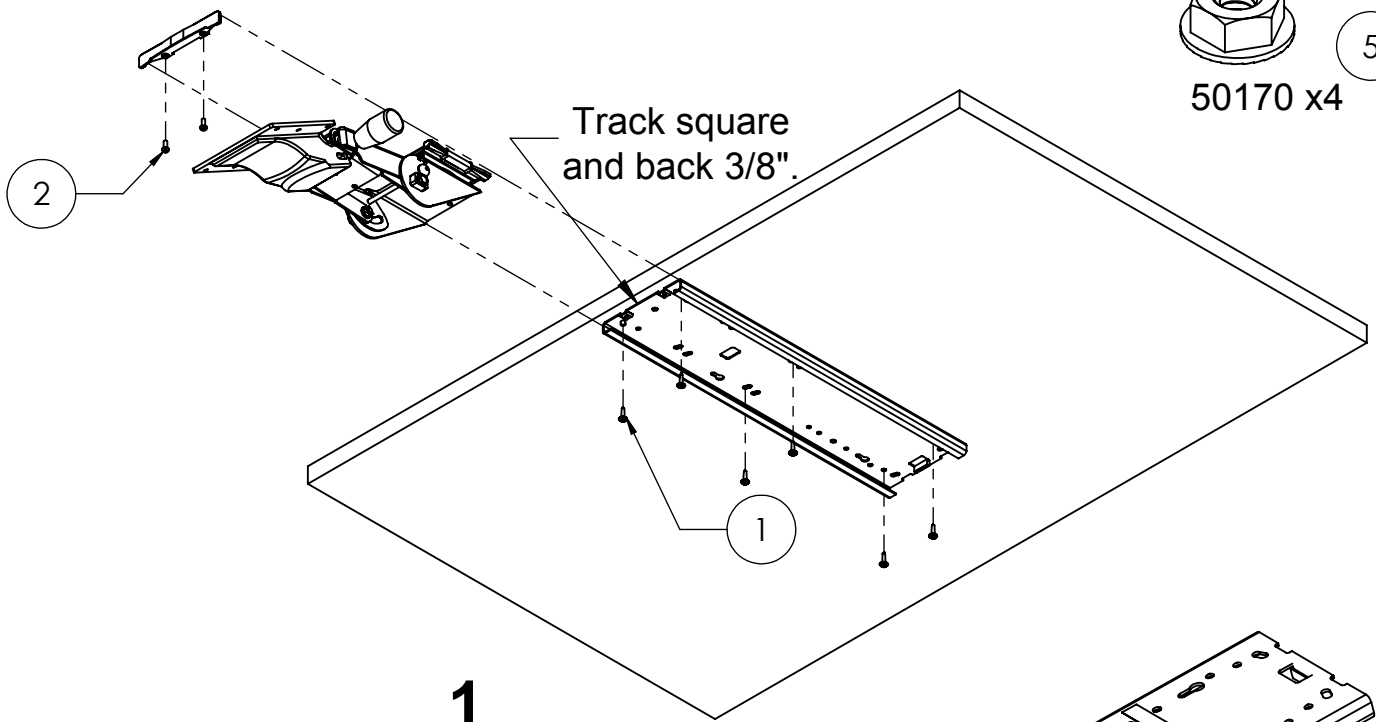
4

51096 x4



5

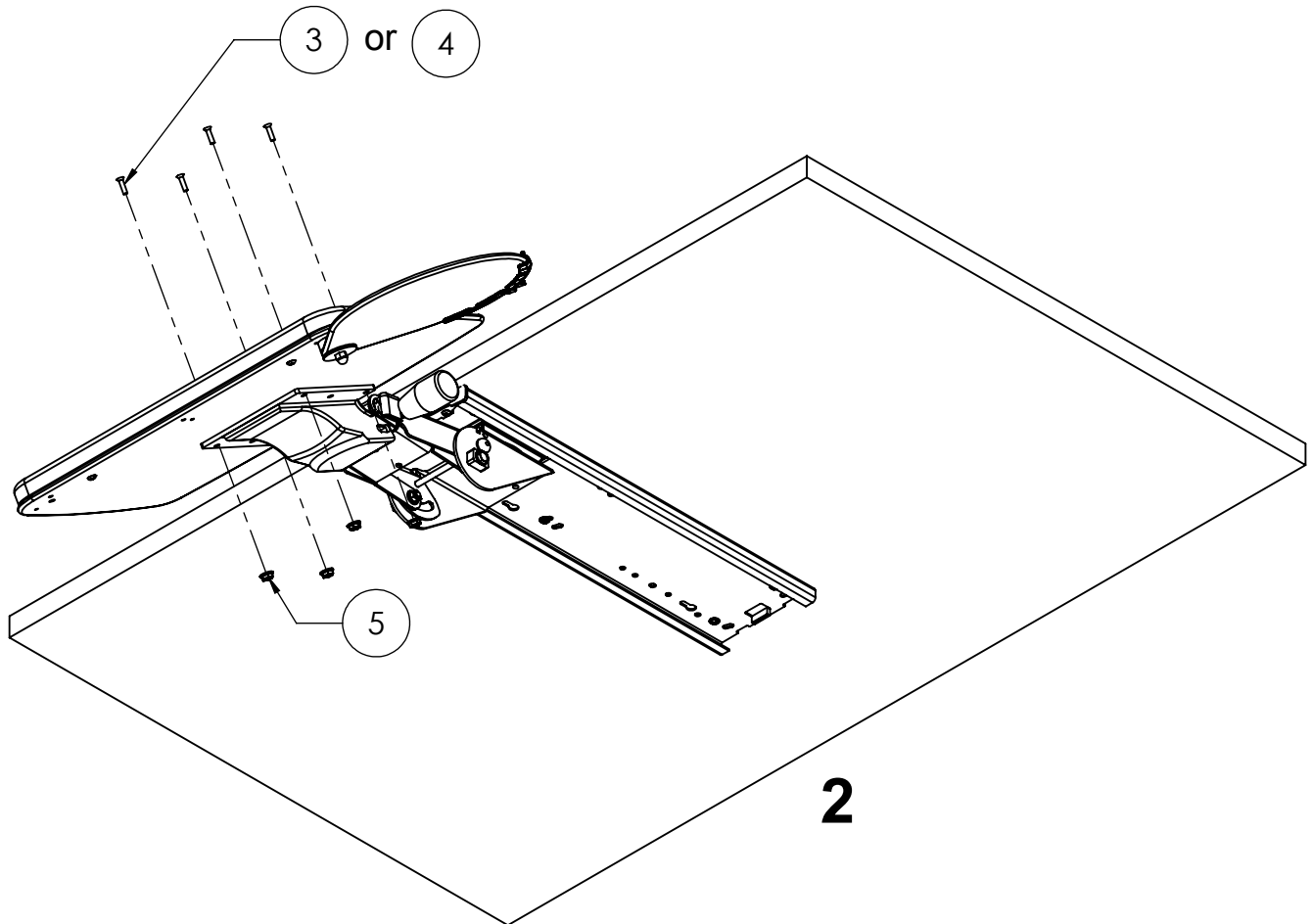
50170 x4



Track square and back 3/8".

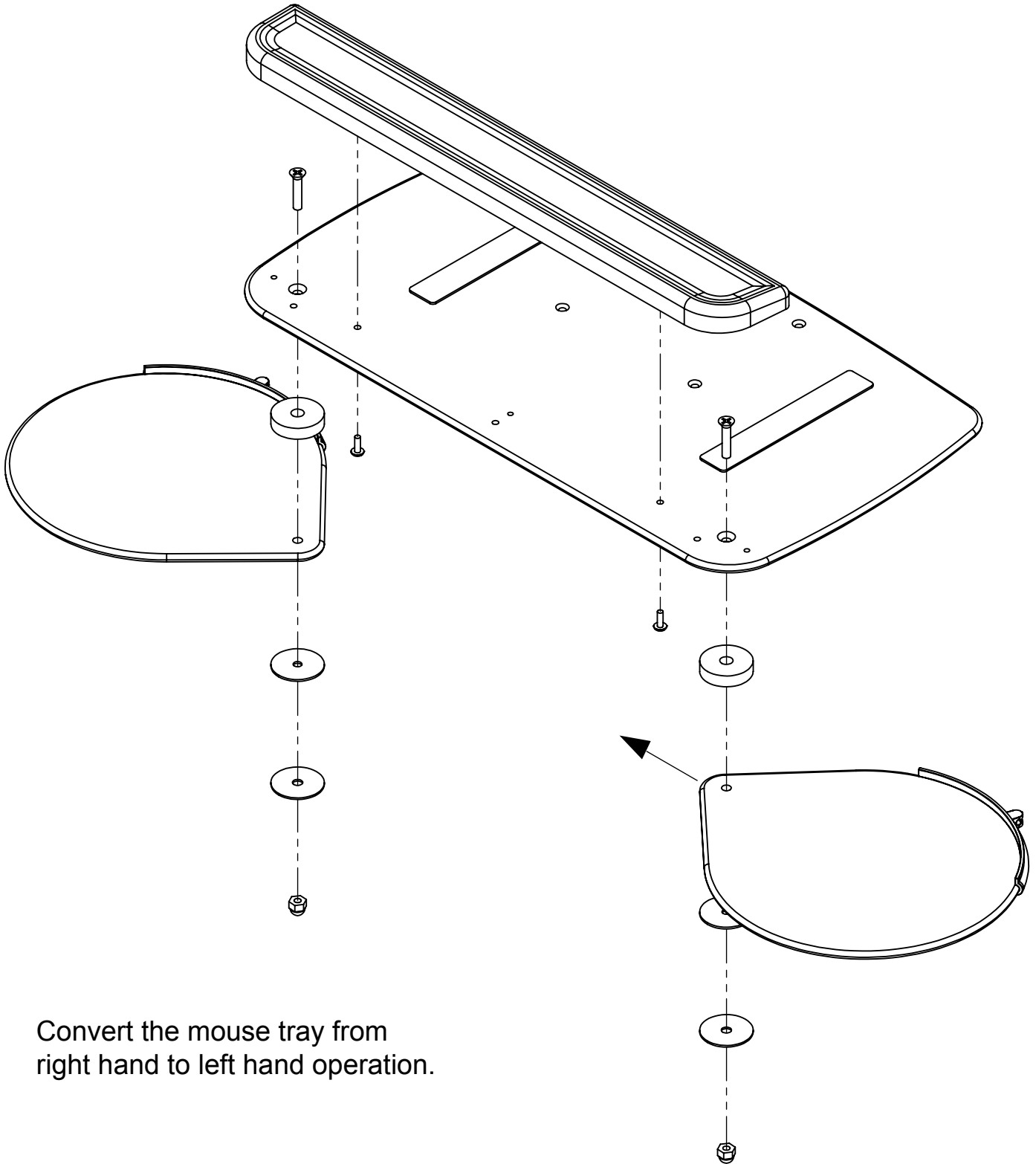
Remove paper strips and place track as shown above

You may have a different tray and arm. The procedure is the same.



For all the arms & trays below.

Keyboard Trays	Articulating Arms
19E	FP21/S
JR	VS17/S
245E	CFP17/S
26EP	FSS22/S
28E	DA17/S
VSV17	F17/S
VSF17	



Convert the mouse tray from right hand to left hand operation.

Operation of the Phenolic Keyboard and Articulating Arm Systems:

FP21/S Articulating Arm: For height adjustment, grasp the front and back edges of the tray. Tilt the tray toward the back and lift up or push down. Release the tray to lock it in place. To tilt the tray, turn the knob on the right hand side of the arm. The arm will slide forward and back in the track, It will also rotate left and right on the swivel with a moderate push.

VS17/S Articulating Arm: To operate the arm, loosen the knob on the right hand side. Push the tray up or down to the desired height. Tilt to desired angle. Retighten the knob. The arm will slide forward and back in the track. It will also rotate left and right on the swivel with a moderate push.

FSS22/S Articulating Arm: To raise the tray, lift up on the tray. It will lock in place. To lower the tray, tilt the tray back and push down. Release the tray to lock it in place. To tilt the tray, turn the knob on the right hand side of the arm. The arm will slide forward and back in the track. It will also rotate left and right on the swivel with a moderate push.

CFP17/S Articulating Arm: For height adjustment, grasp the front and back edges of the tray. Tilt the tray toward the back and lift up or push down. Release the tray to lock it in place. To tilt the tray, turn the knob on the right hand side of the arm. The arm will slide forward and back in the track, It will also rotate left and right on the swivel with a moderate push.

FS17/S Articulating Arm: To lower the tray, pull out on the ratchet lever and ratchet the tray to the desired position. To raise the tray, lift up on the front. To tilt the tray, loosen the ratchet lever. Tilt the tray to the desired angle and tighten the ratchet lever. The arm will slide forward and back in the track. It will also rotate left and right on the swivel with a moderate push.

TLF/S Articulating Arm: To lower the tray, push in on the tray and push down. The tray will stop at any height. To raise the tray, push in on the tray and raise up. To tilt the tray, turn the knob on the right hand side until the tray is at the desired angle. The tray will rotate left and right on the swivel with a moderate push.