



ergonomic products

K&A MANUFACTURING

6703 ZINSER ST., SCHOFIELD, WI 54476
 PHONE: 800.298.4351 FAX: 866.882.9475
 www.raproducts.com

VERSION DATED: 11/2/11

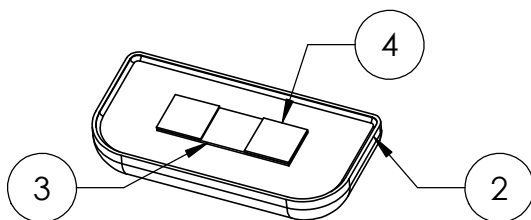
TOOLS REQUIRED FOR ASSEMBLY:
 NONE

106GMPSMT OPTIONAL GEL PALM SUPPORT ON MYRIAD MOUSE TRAY ASSEMBLY INSTRUCTIONS:

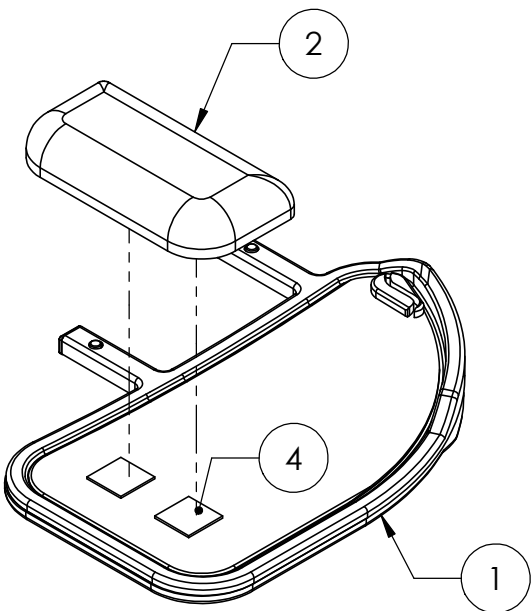
STEP 1: MAKE SURE THE MYRIAD™ MOUSE TRAY **1** SURFACES ARE CLEAN AND FREE OF DIRT AND GREASE. REMOVE THE BACKING PAPER FROM (2) 1" x 1" DUAL LOCK FASTENER STRIPS **4** ATTACHED TO THE BOTTOM OF THE GEL PALM SUPPORT **2**. PLACE THE PALM SUPPORT ON THE MYRIAD MOUSE TRAY IN THE LOCATION SHOWN. PRESS IT FIRMLY IN PLACE SO THE ADHESIVE BONDS TO THE TRAY.

STEP 2: REMOVE THE PALM SUPPORT **2** FROM THE TRAY **1**. TURN THE TRAY OVER. PLACE (2) 1" x 1" DUAL LOCK FASTENER STRIPS **4** ON THE ENDS OF THE 1" x 3" DUAL LOCK FASTENER STRIP **3** ATTACHED TO THE BOTTOM OF THE PALM SUPPORT. REPEAT **STEP 1** FOR THE LEFT HAND ASSEMBLY.

READ ALL THE INSTRUCTIONS BEFORE BEGINNING

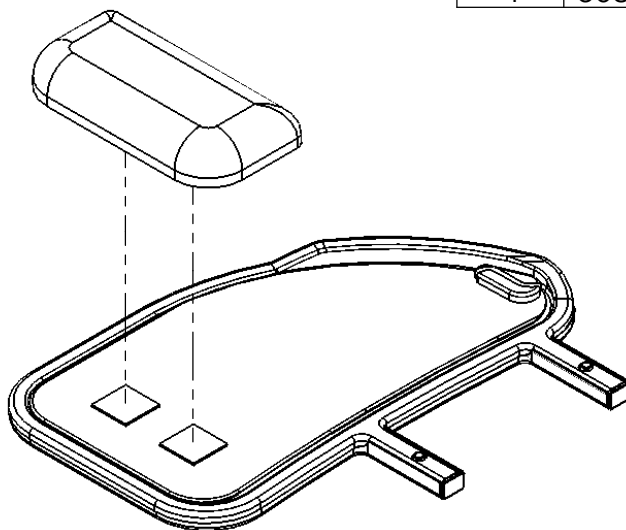


BOTTOM OF PALM SUPPORT



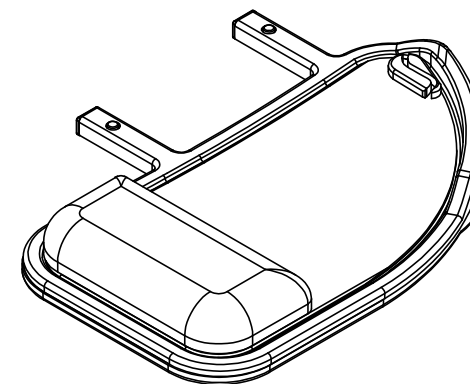
RIGHT HAND ASSEMBLY

STEP 1



LEFT HAND ASSEMBLY

STEP 2



ASSEMBLED VIEW

ITEM #	PART #	DESCRIPTION	QTY.
1	MMT	MYRIAD MOUSE TRAY ASSEMBLY	1
2	50208	106GMPSMT GEL PALM SUPPORT	1
3	50852	1x3 DUAL LOCK FASTENER STRIP	1
4	50852	1x1 DUAL LOCK FASTENER STRIP	4