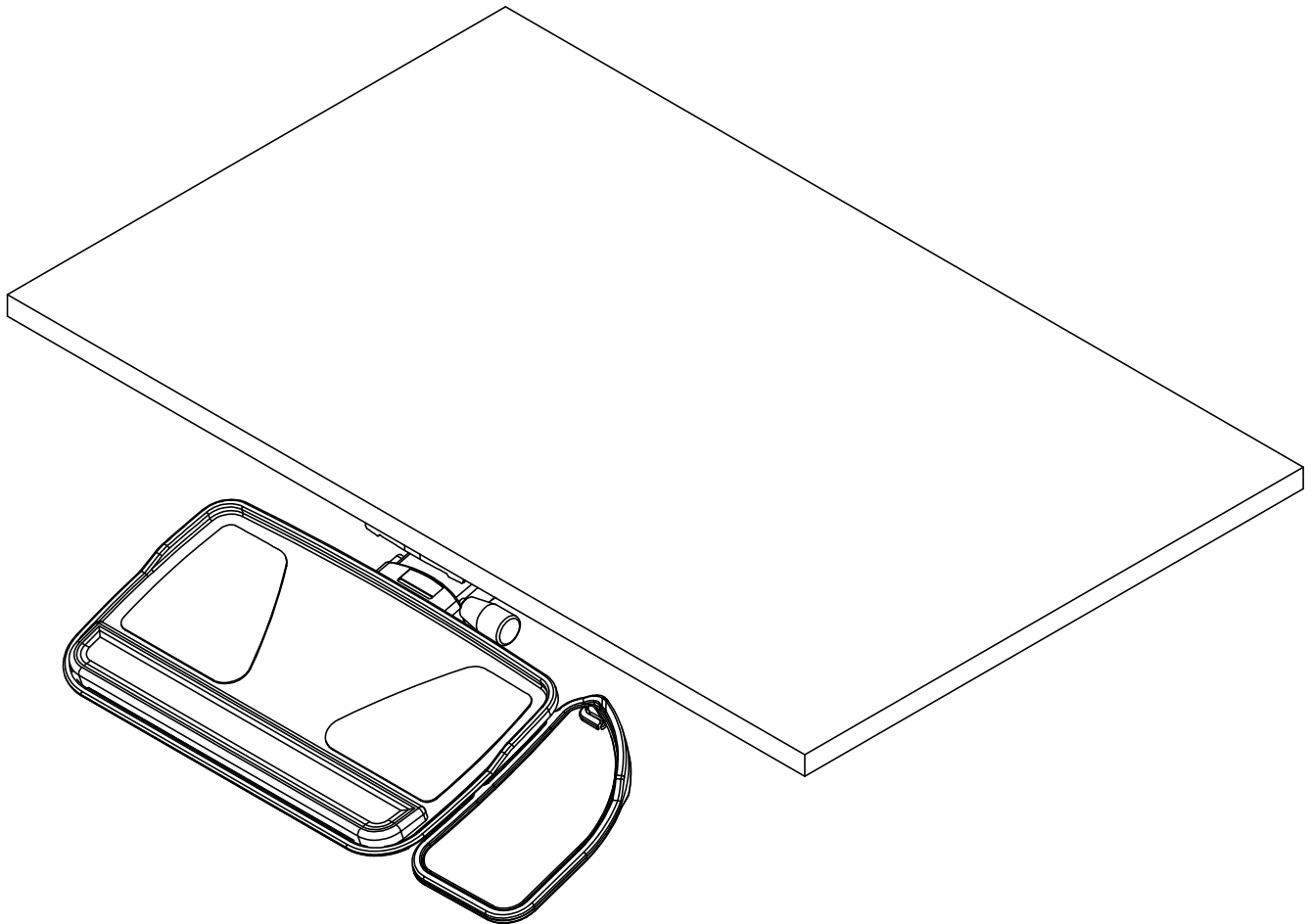




**Myriad Keyboard And Mouse Tray
Articulating Arm Installation Instructions
Warranty: raproducts.com/warranty**



rightangle™ Myriad & Mouse Tray # 52665



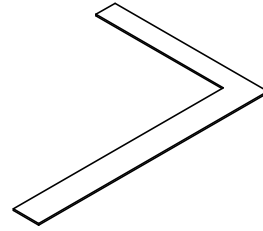
Power Driver with Adjustable Torque



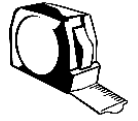
#2 Phillips Head Driver Bit



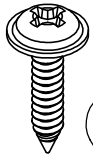
#2 Square Head Driver Bit



Square

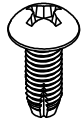


Tape Measure



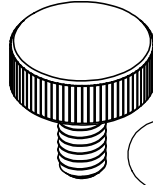
1

51708 x6



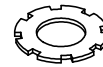
2

50200 x2



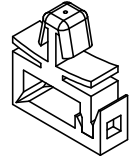
3

50016 x1



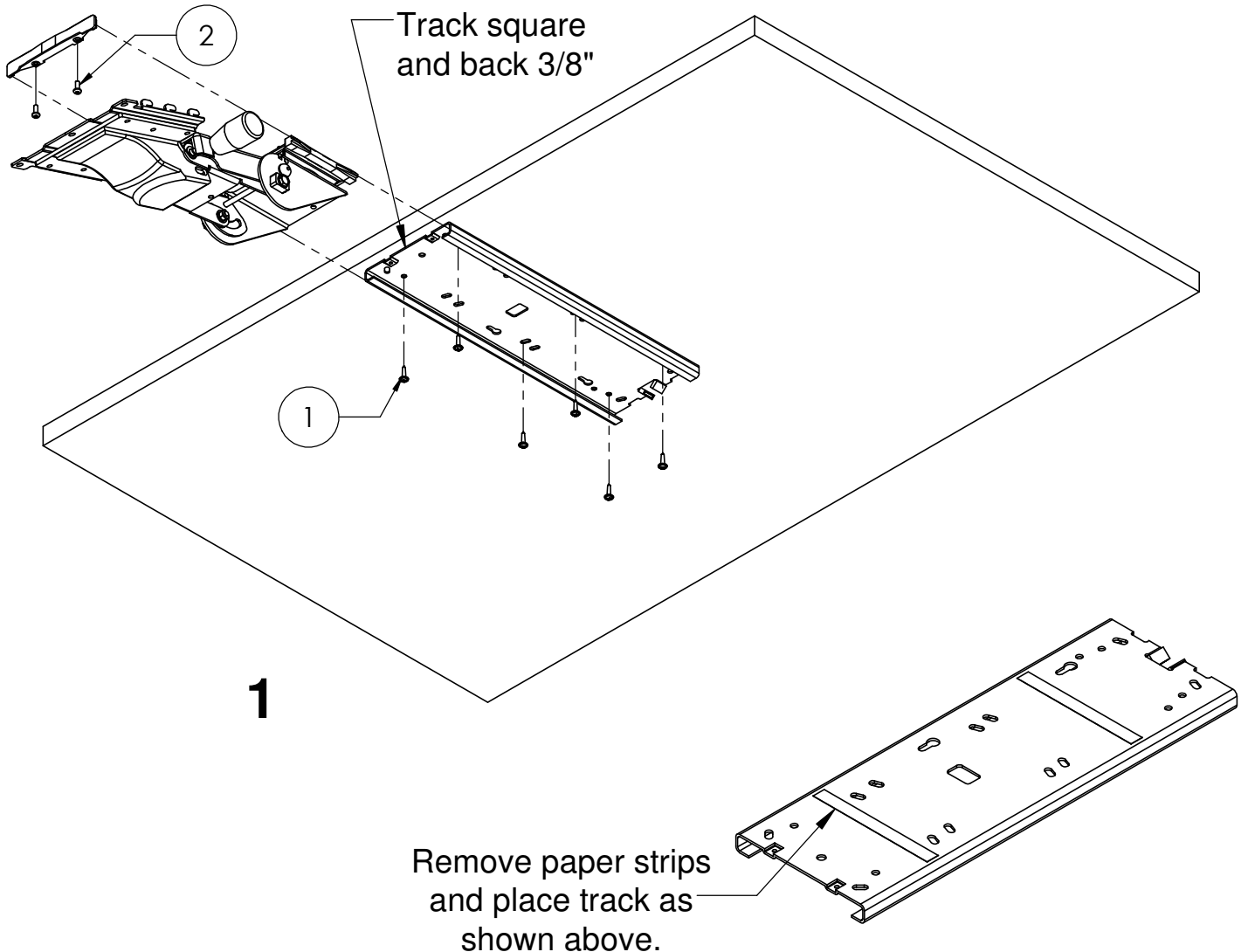
4

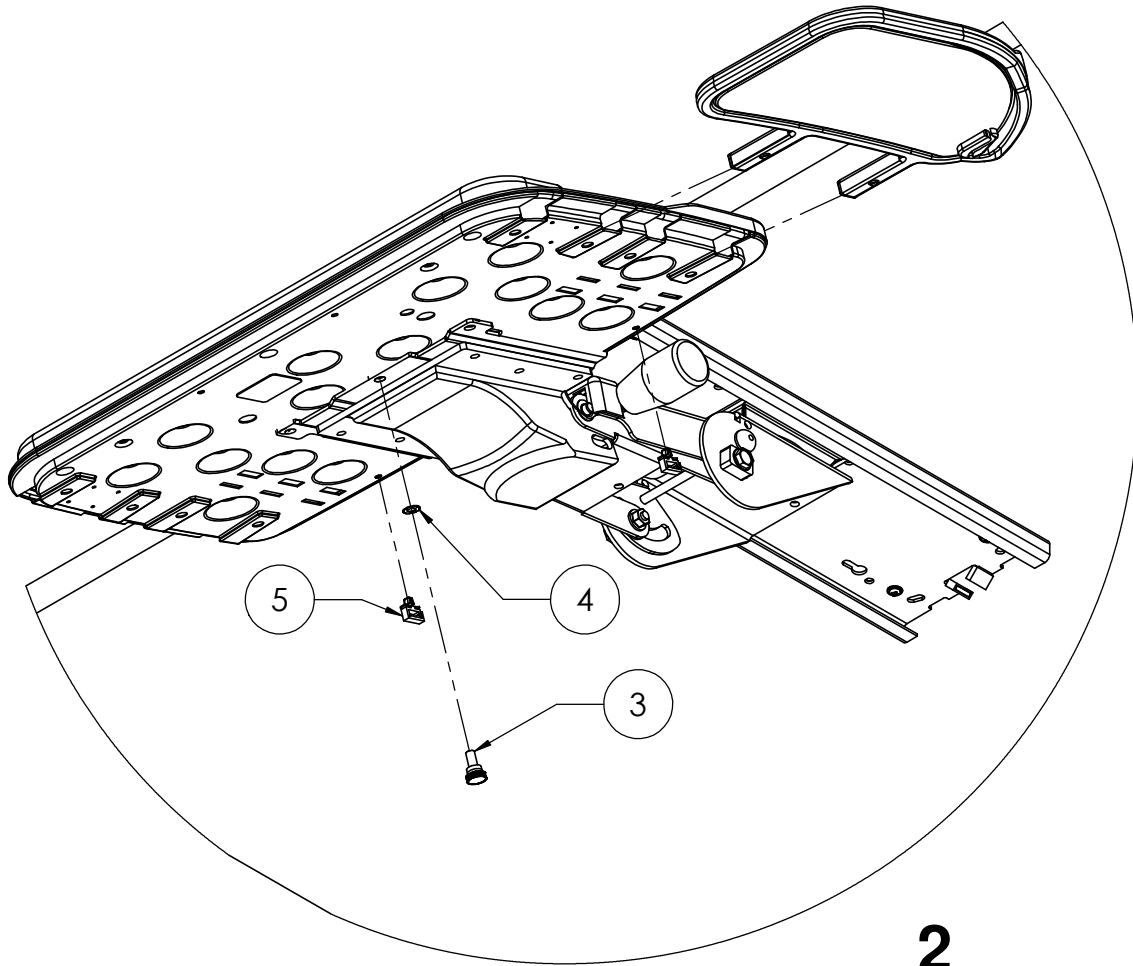
52490 x1



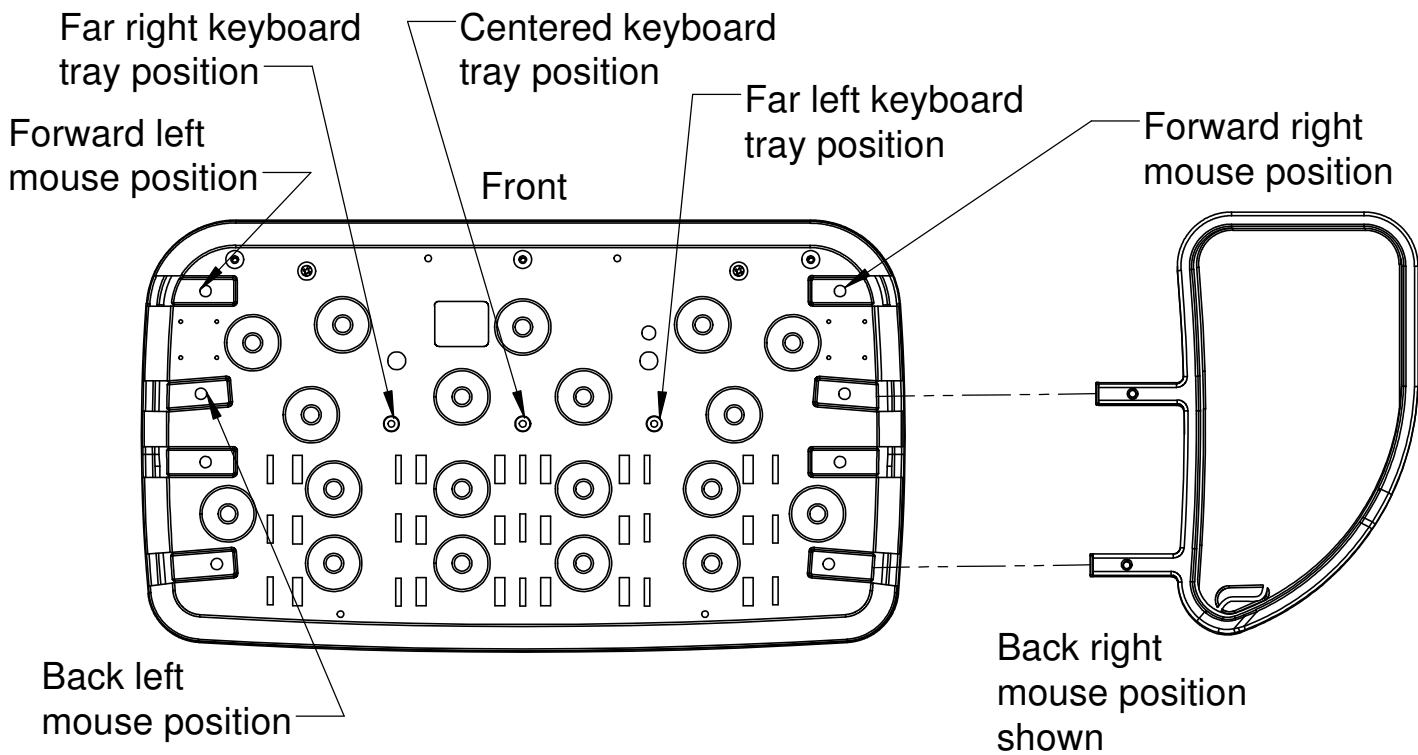
5

50363 x2





2



Operation of the Myriad Keyboard and Articulating Arm Systems:

MFP21 Articulating Arm: For height adjustment, grasp the front and back edges of the tray. Tilt the tray toward the back and lift up or push down. Release the tray to lock it in place. To tilt the tray, turn the knob on the right hand side of the arm. The arm will slide forward and back in the track, It will also rotate left and right on the swivel with a moderate push.

MVS17 Articulating Arm: To operate the arm, loosen the knob on the right hand side. Push the tray up or down to the desired height. Tilt to desired angle. Retighten the knob. The arm will slide forward and back in the track. It will also rotate left and right on the swivel with a moderate push.

MFSS22 Articulating Arm: To raise the tray, lift up on the tray. It will lock in place. To lower the tray, tilt the tray back and push down. Release the tray to lock it in place. To tilt the tray, turn the knob on the right hand side of the arm. The arm will slide forward and back in the track. It will also rotate left and right on the swivel with a moderate push.

MDA17 Articulating Arm: To raise or lower the tray, push the lever to the right and move the tray to the desired height. Push the lever to the left to lock the arm in place. To tilt the tray, pull out on the t-handle and tilt the tray to the desired angle. Release the t-handle to lock the tray in place. The arm will slide forward and back in the track. It will also rotate left and right on the swivel with a moderate push.

MFS17 Articulating Arm: To lower the tray, pull out on the ratchet lever and ratchet the tray to the desired position. To raise the tray, lift up on the front. To tilt the tray, loosen the ratchet lever. Tilt the tray to the desired angle and tighten the ratchet lever. The arm will slide forward and back in the track. It will also rotate left and right on the swivel with a moderate push.

MTLF Articulating Arm: To lower the tray, push in on the tray and push down. The tray will stop at any height. To raise the tray, push in on the tray and raise up. To tilt the tray, turn the knob on the right hand side until the tray is at the desired angle. The tray will rotate left and right on the swivel with a moderate push.