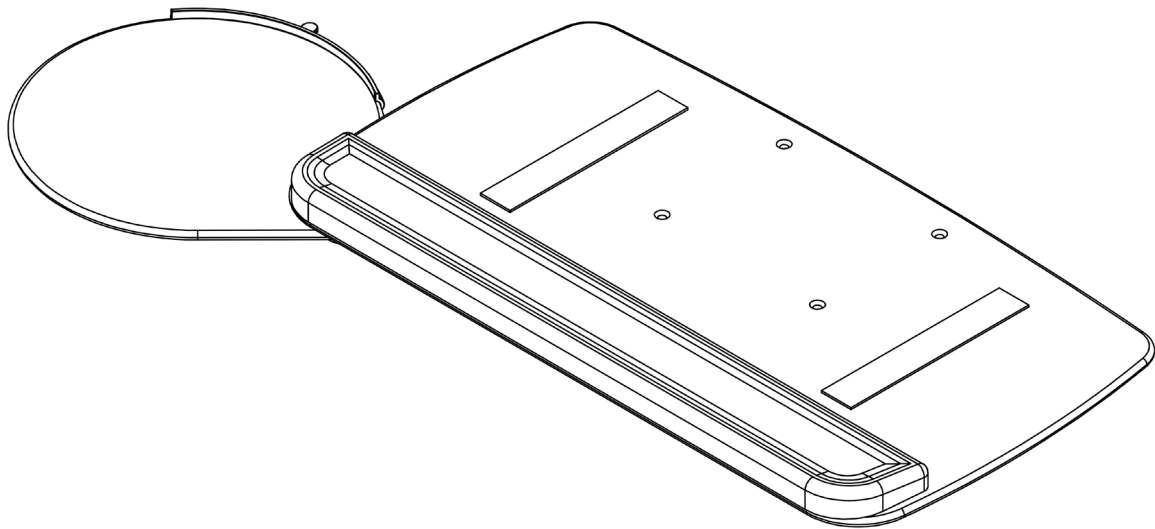




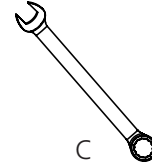
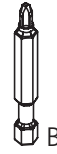
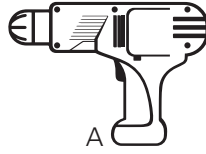
Myriad™ Jr Swivel Mouse Tray
Right to Left Hand Conversion Instructions
Warranty: raproducts.com/warranty



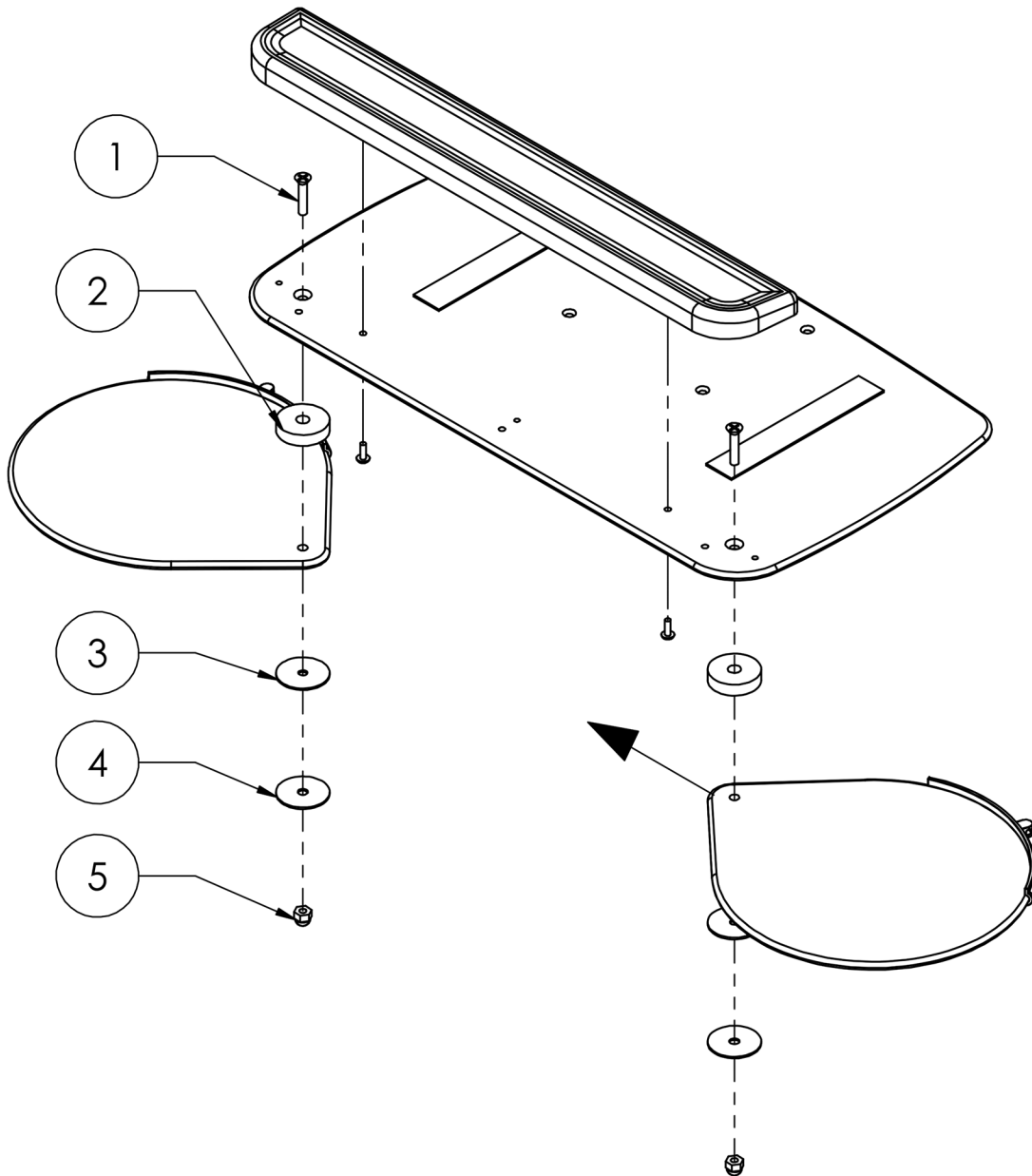
Tools Required for Assembly

- A. Power Driver with Adjustable Torque
- B. #2 Phillips Head Driver Bit
- C. 7/16" Wrench/Socket/Driver Bit

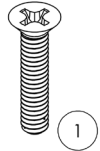
May alternately use a #2 Phillips
or #2 Square Screwdriver



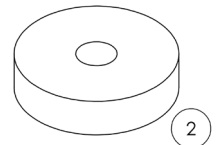
Swivel Mouse Tray Assembly Diagram



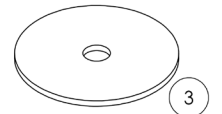
Hardware Key



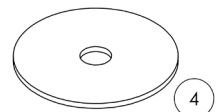
Flat Head
Machine Screw



Thick Round Nylon
Washer (Black)



Flat Round Nylon
Washer (White)



Flat Round Steel
Fender Washer



Low Crown
Acorn Nut