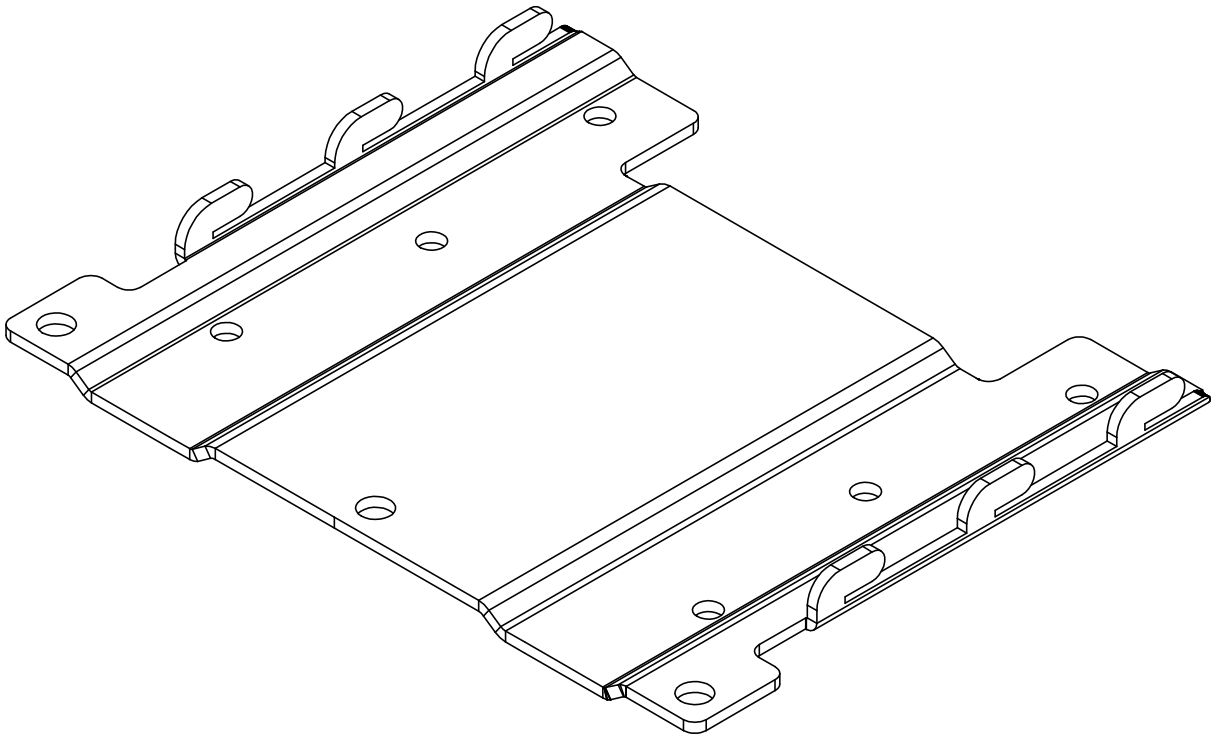




HSAP Hook & Slot Adapter Plate
Warranty: raproducts.com/warranty





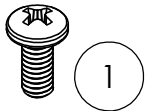
Power Driver with Adjustable Torque



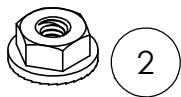
#2 Phillips Head Driver Bit



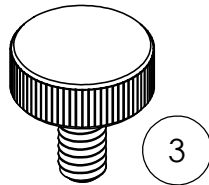
3/8" Wrench or Socket



52679 x6



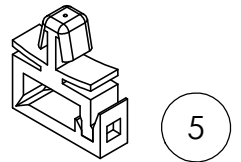
50267 x6



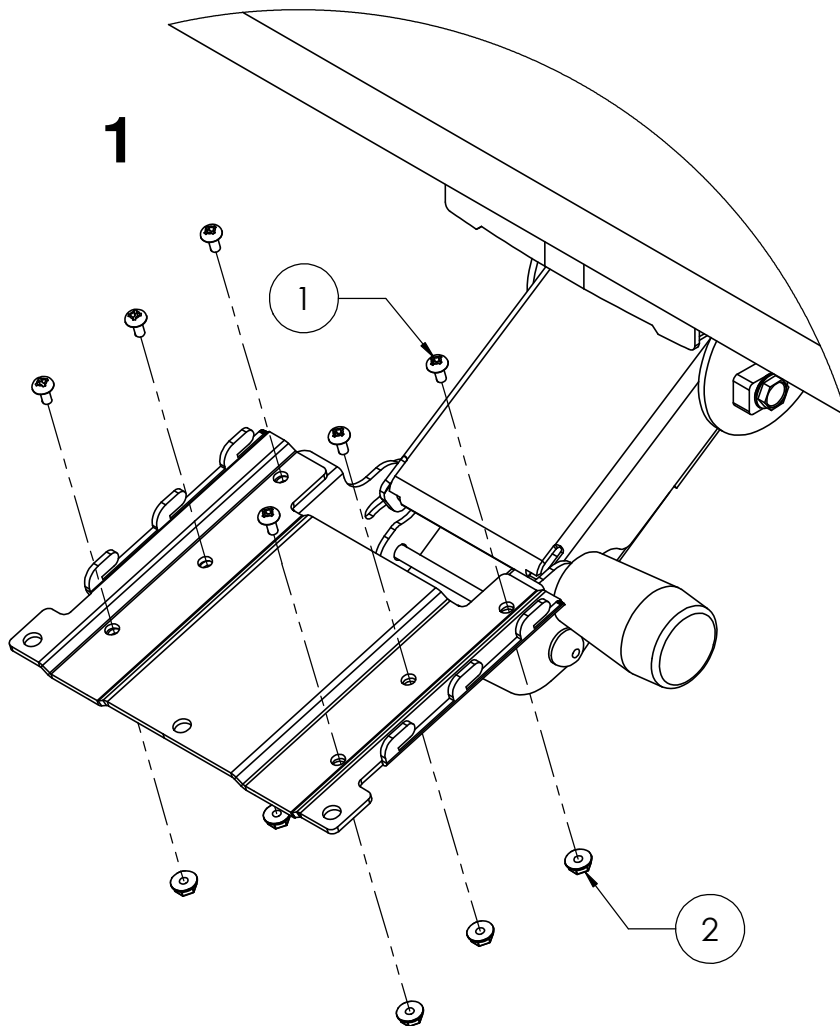
50016 x1

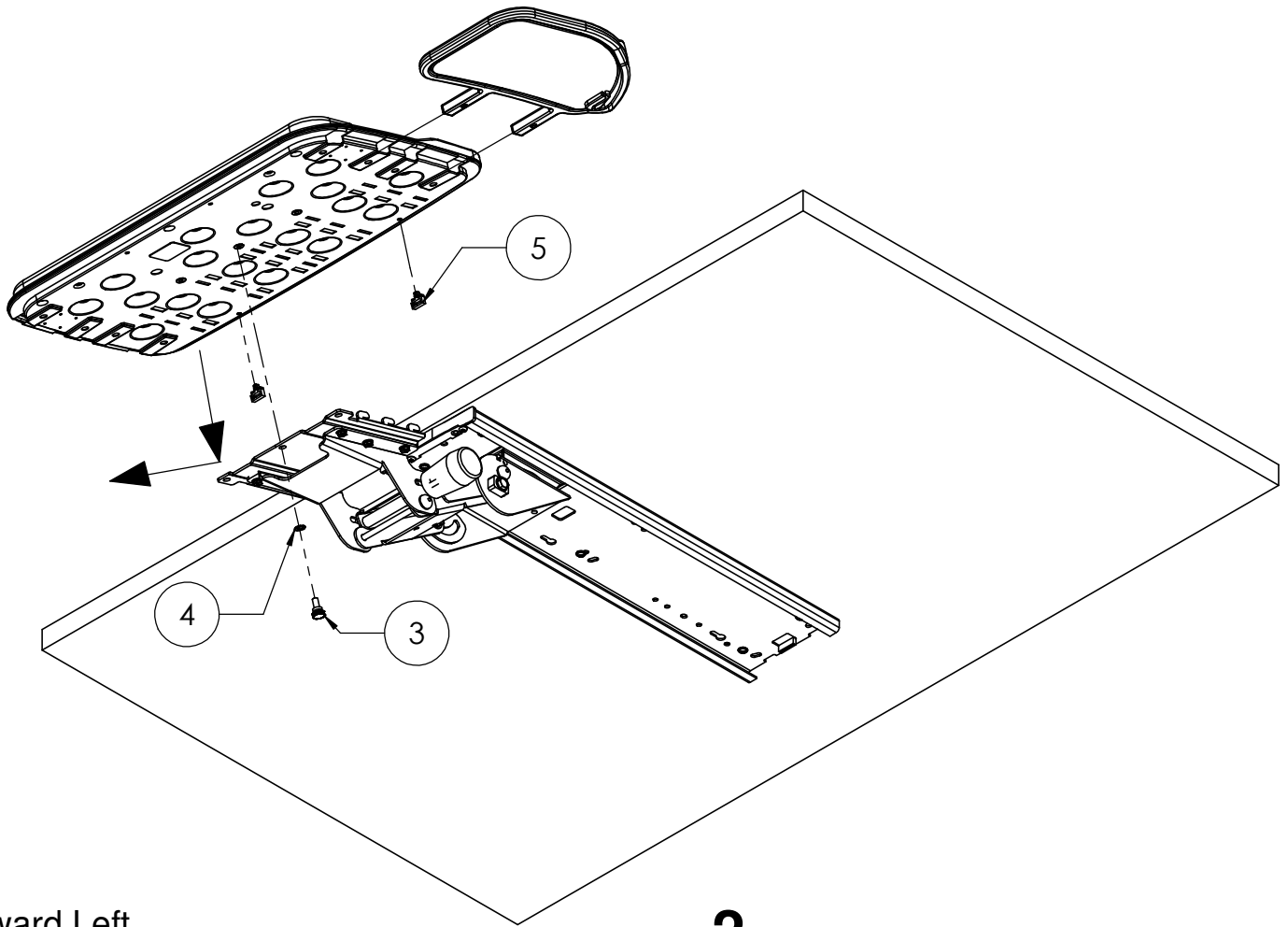


52490 x1



50363 x2





2

Forward Left
Position

Back Left
Position

Front

Far Right
Position

Centered
Position

Far Left
Position

Forward Right Position

Back Right
Position Shown