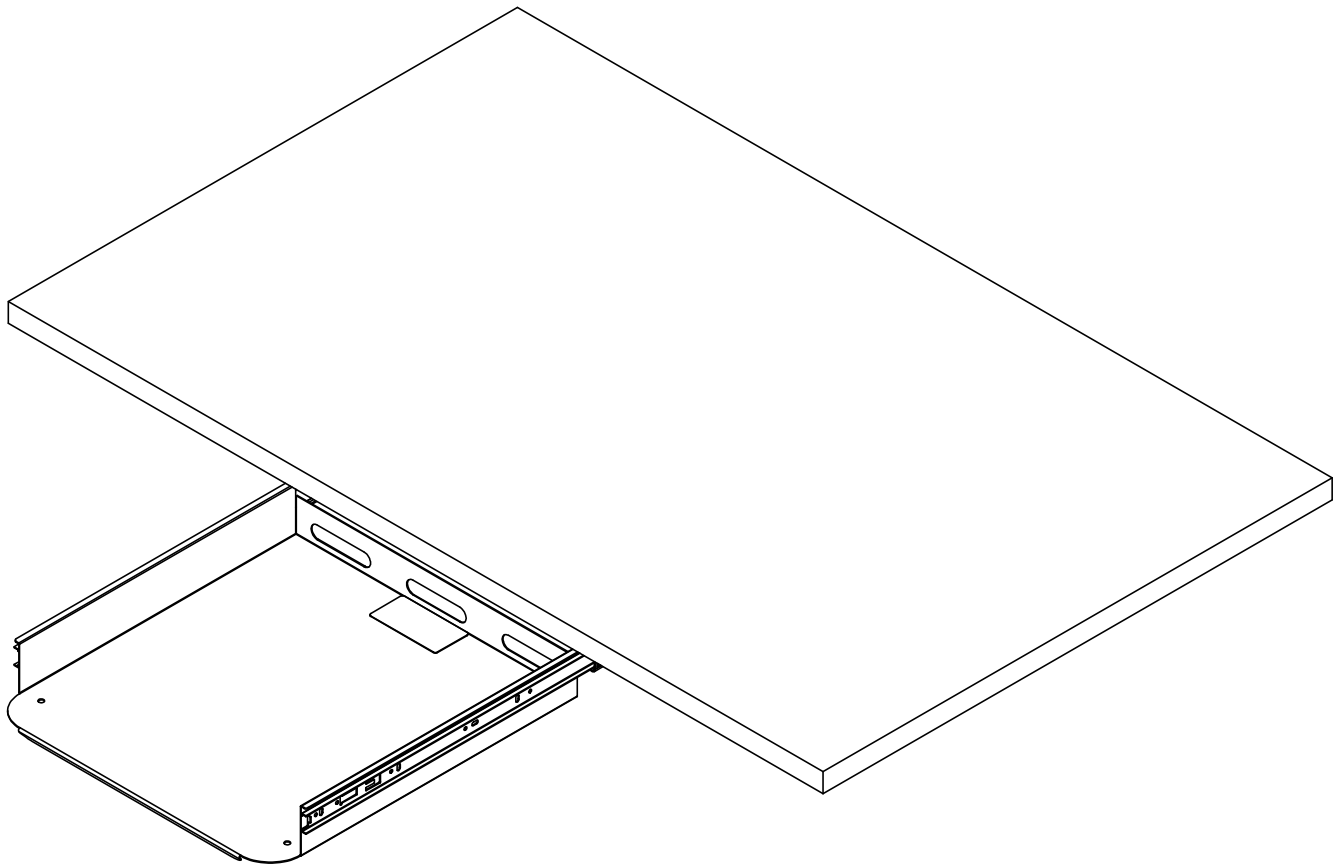




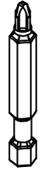
**DS500 Docking Station Drawer  
Installation Instructions  
Warranty: [raproducts.com/warranty](http://raproducts.com/warranty)**



**rightangle™** DS500 Docking Station # 50570



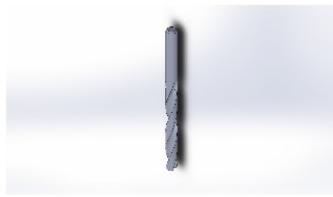
Power Driver with Adjustable Torque



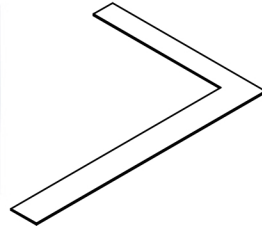
#2 Phillips Head Driver Bit



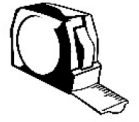
#2 Square Head Driver Bit



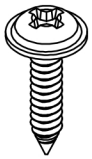
5/64" Drill Bit



Square



Tape Measure



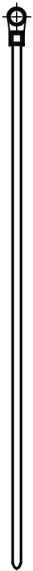
1

51708



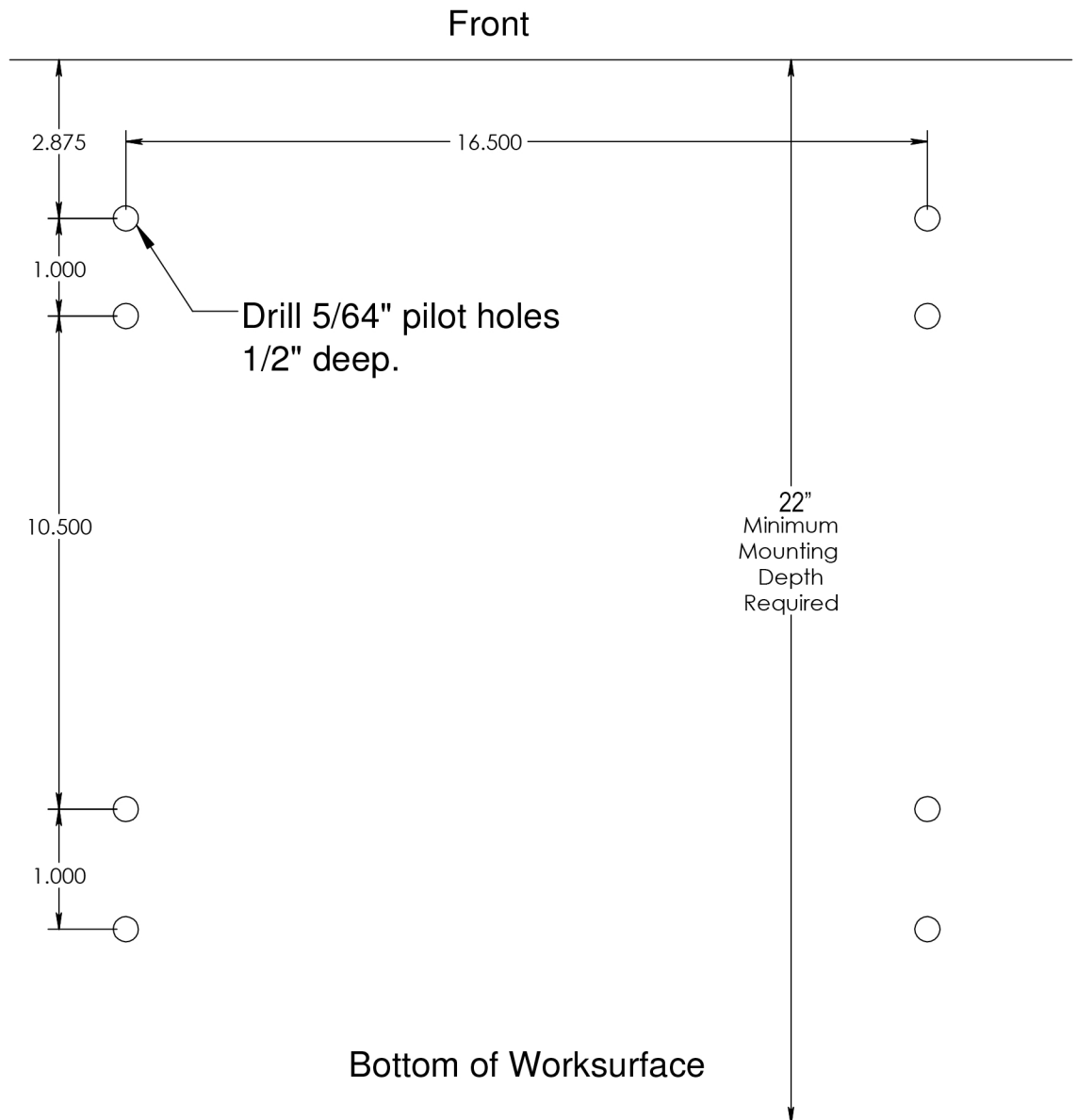
2

50072

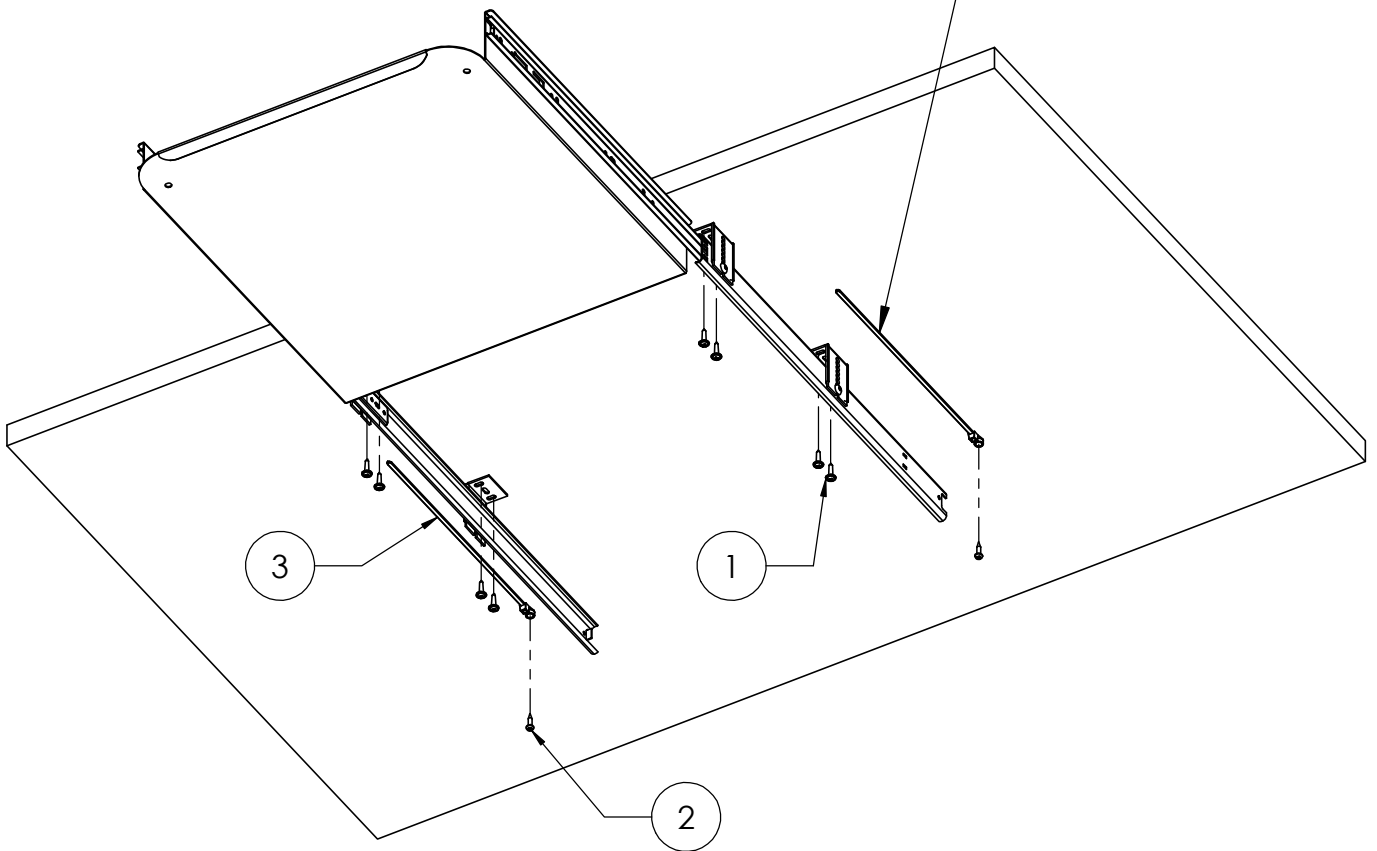


3

50215



Wire management ties. Bundle wires; then attach.



Put one screw **1** in each bracket and fully tighten. Operate the drawer. If it is binding, loosen the screws and adjust the drawer until it does not bind. Tighten the screws and drive in four more screws.