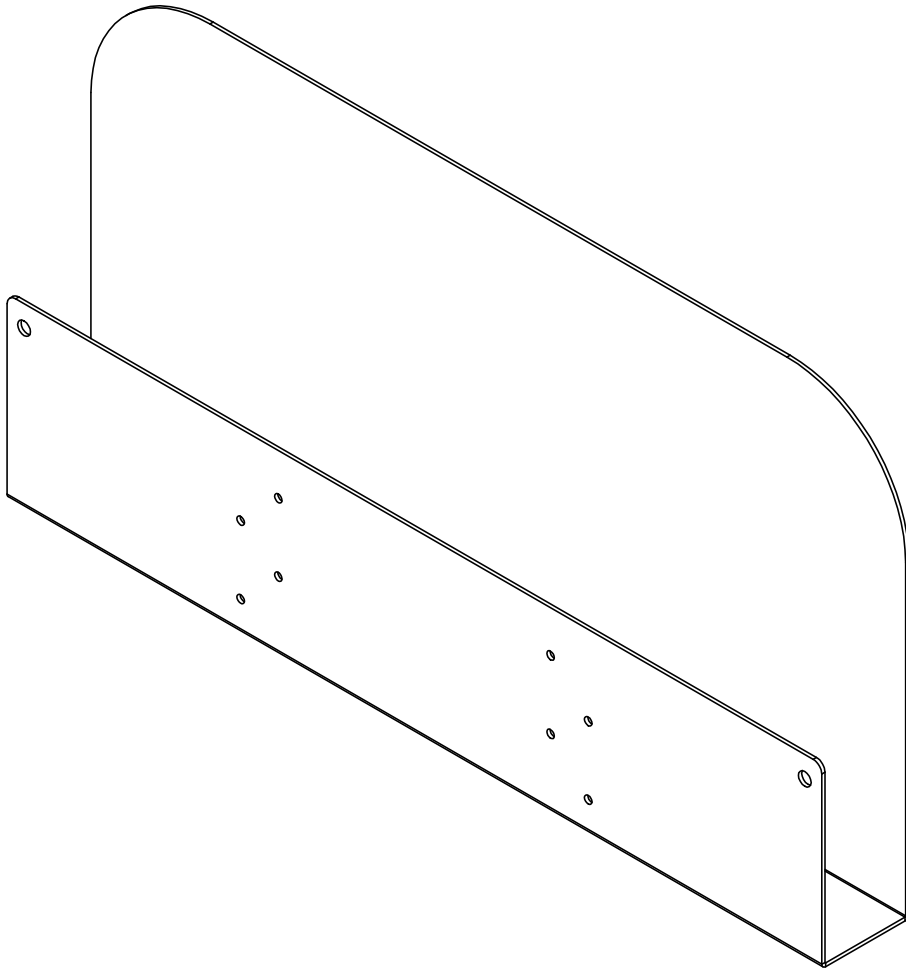




**Create-A-Corner**  
**Warranty: [raproducts.com/warranty](http://raproducts.com/warranty)**





Power Driver with Adjustable Torque



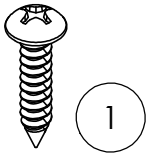
#2 Phillips Head Driver Bit



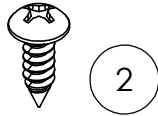
#2 Square Head Driver Bit



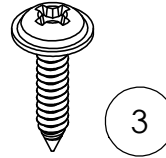
Adjustable Square



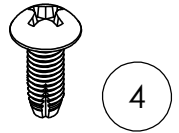
50072 x2



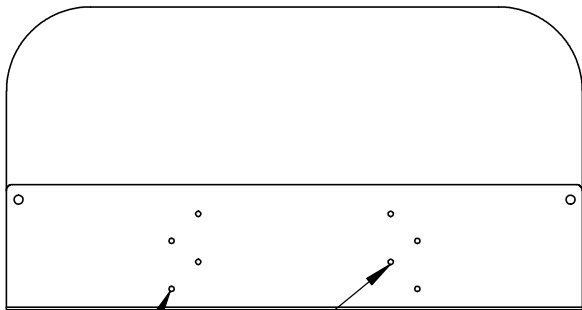
50149 x2



51708 x4  
In Track Hardware



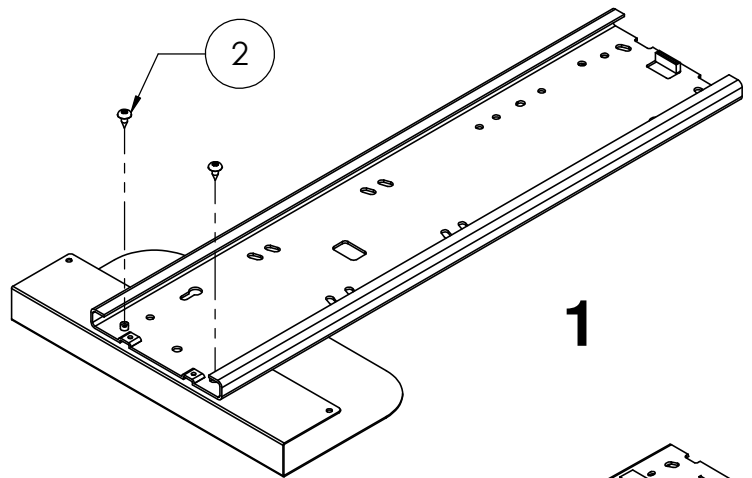
50200 x2  
In Track Hardware



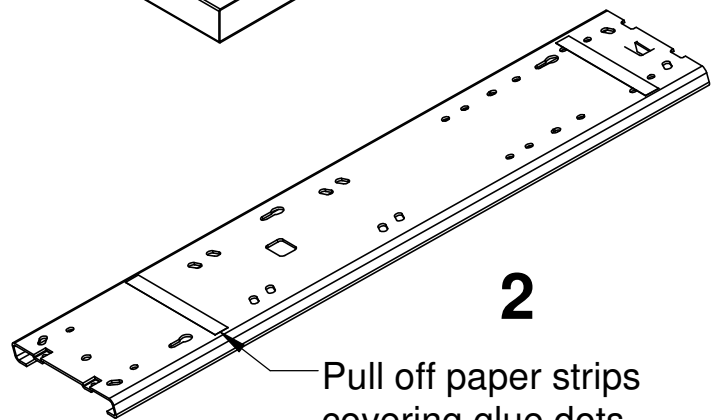
Narrow set of holes is for all other tracks.

Wide set of holes is for the 26" track.

**The track does not come with the Create-A-Corner. It is shipped with the product you will install on the Create-A-Corner.**

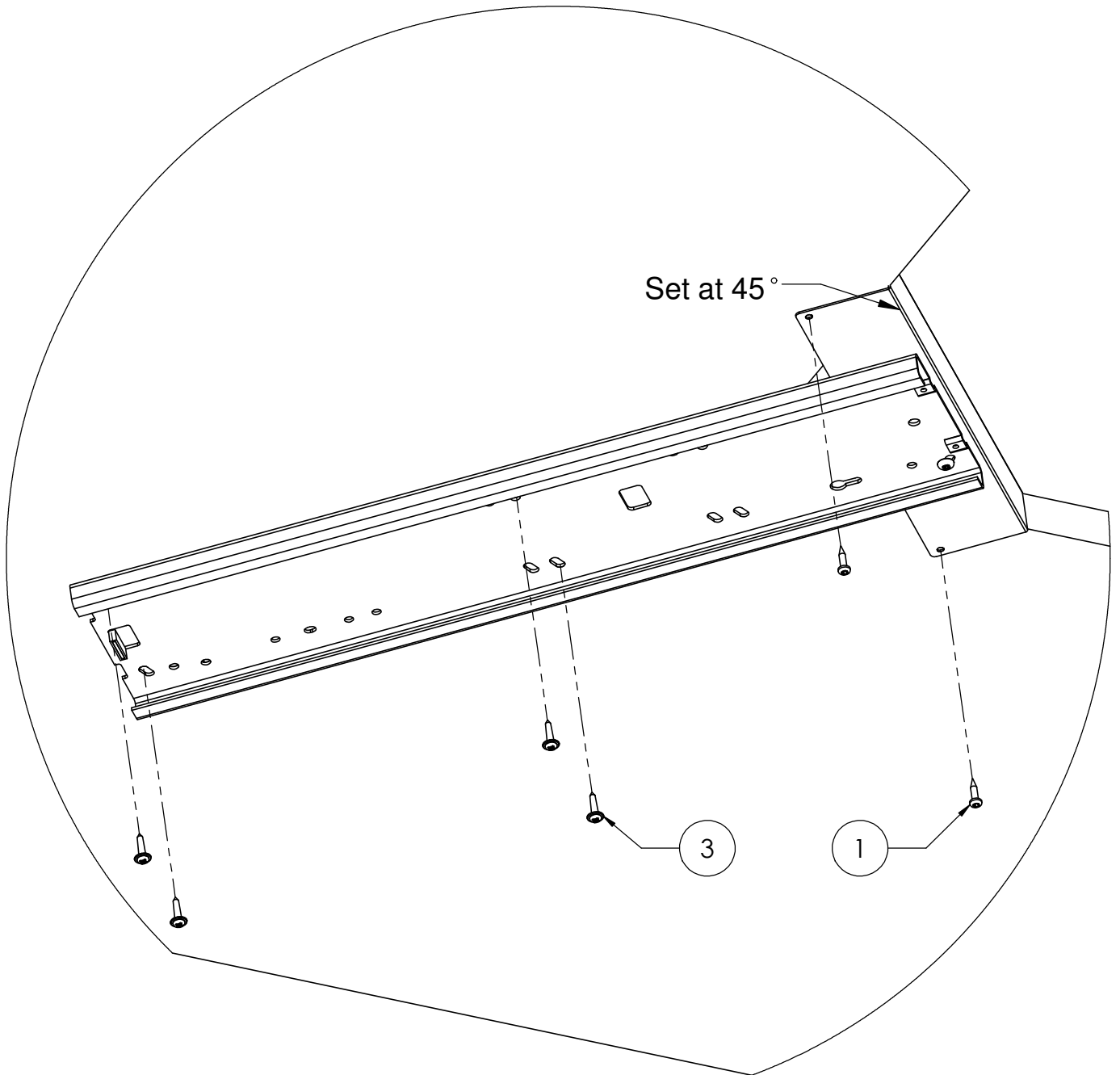


1



2

Pull off paper strips covering glue dots.



Finish the installation using the instructions that came with the product you are installing.