

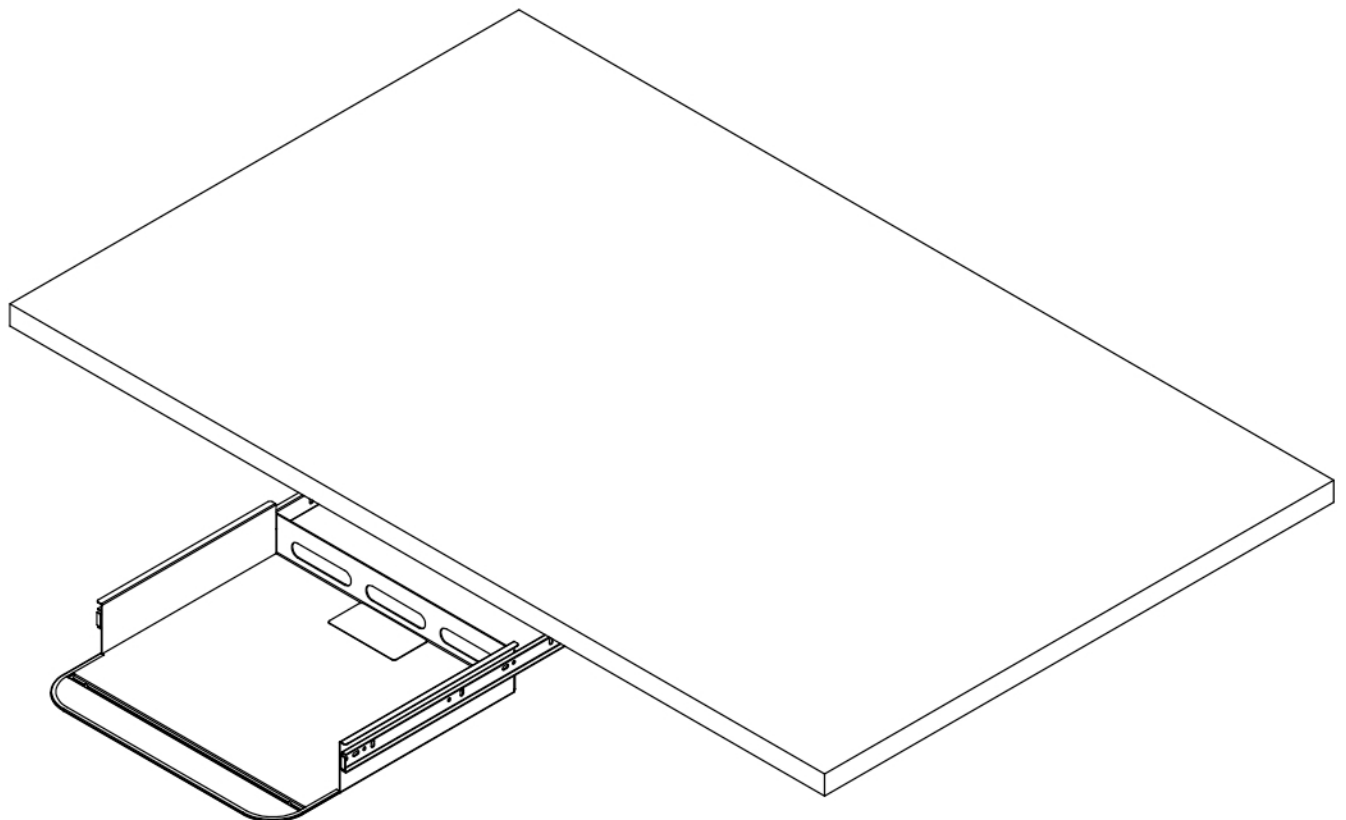


K&A Manufacturing

6703 Zinser Street  
Schofield, WI 54476  
Phone: 800.298.4351

[www.raproducts.com](http://www.raproducts.com)  
Version Dated: 6/25/19

## 415/417ND Notebook Drawer Installation Instructions

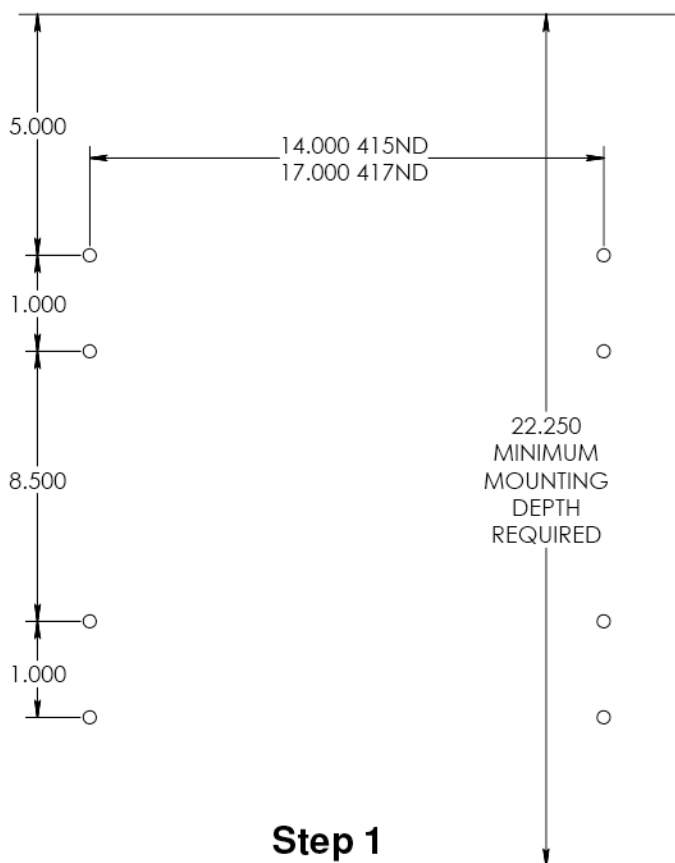


Read all the instructions before beginning.



K&A Manufacturing  
 6703 Zinser Street Schofield, WI 54476  
 Phone: 800.298.4351  
 Fax: 866.882.9475  
 www.raproducts.com

**Tools Required for Assembly:**  
 Power Driver W/Adjustable Torque  
 5/64" Drill Bit  
 #2 Phillips Head Driver Bit or  
 #2 Square Head Driver Bit  
 Tape Measure  
 Level  
 Pencil or Marker

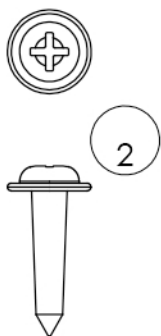


**Step 1:** Mark and drill (8) 5/64" pilot holes 1/2" deep in the bottom of the worksurface as shown at left. Be careful not to drill through the top of the worksurface.

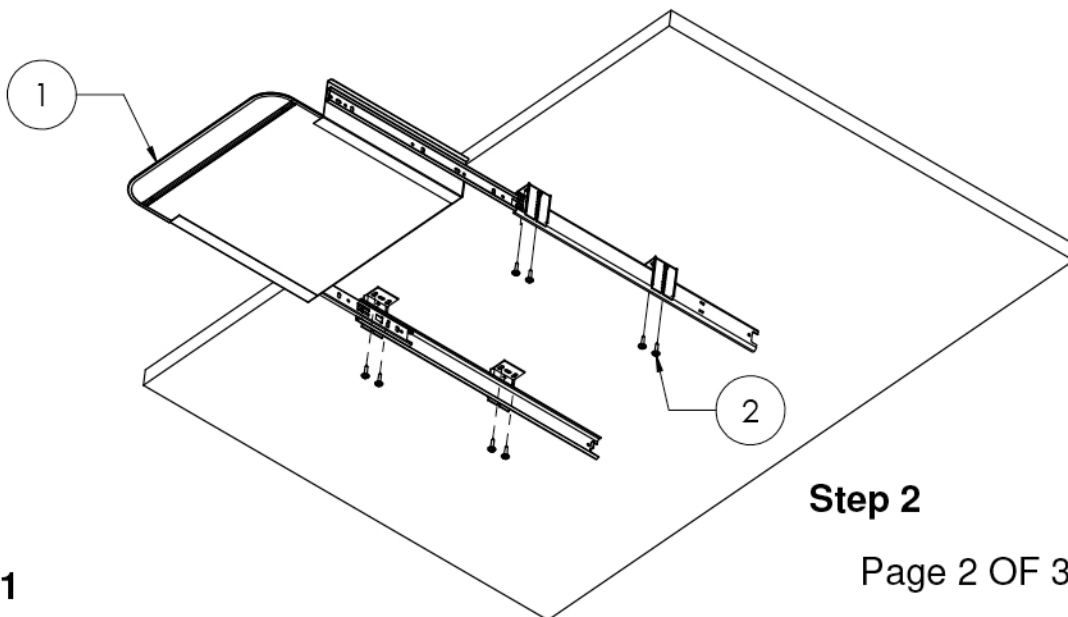
**Important Note:** The worksurface material must be compatible with the screws provided. The worksurface must be at least 1" thick.

**Step 2:** Open the drawer 4 far enough to gain access to the rear drawer glide brackets. With the help of an assistant, drive (1) wood screw 2 through the far back hole in the brackets into the pilot holes and tighten. Do not over-tighten the screws. Use a low torque setting on the power driver.

ITEM #	PART #	DESCRIPTION	QTY.
1	415/417ND	Notebook Drawer	1
2	52855	M5 x 18mm Sq/Ph/Washer Head Wood Screw	8



52855  
 Actual Size



**Step 2**

**Step 3:** Fully open the drawer **1** and drive (1) wood screw **2** through the back holes in each front drawer glide bracket and tighten. Operate the drawer and check that the drawer glides are not binding. If the glides are binding, loosen the (4) screws and readjust until the glides operate freely.

**Step 4:** Retighten the (4) wood screws **2**. Drive (4) wood screws through the remaining holes in the drawer glide brackets and fully tighten.

