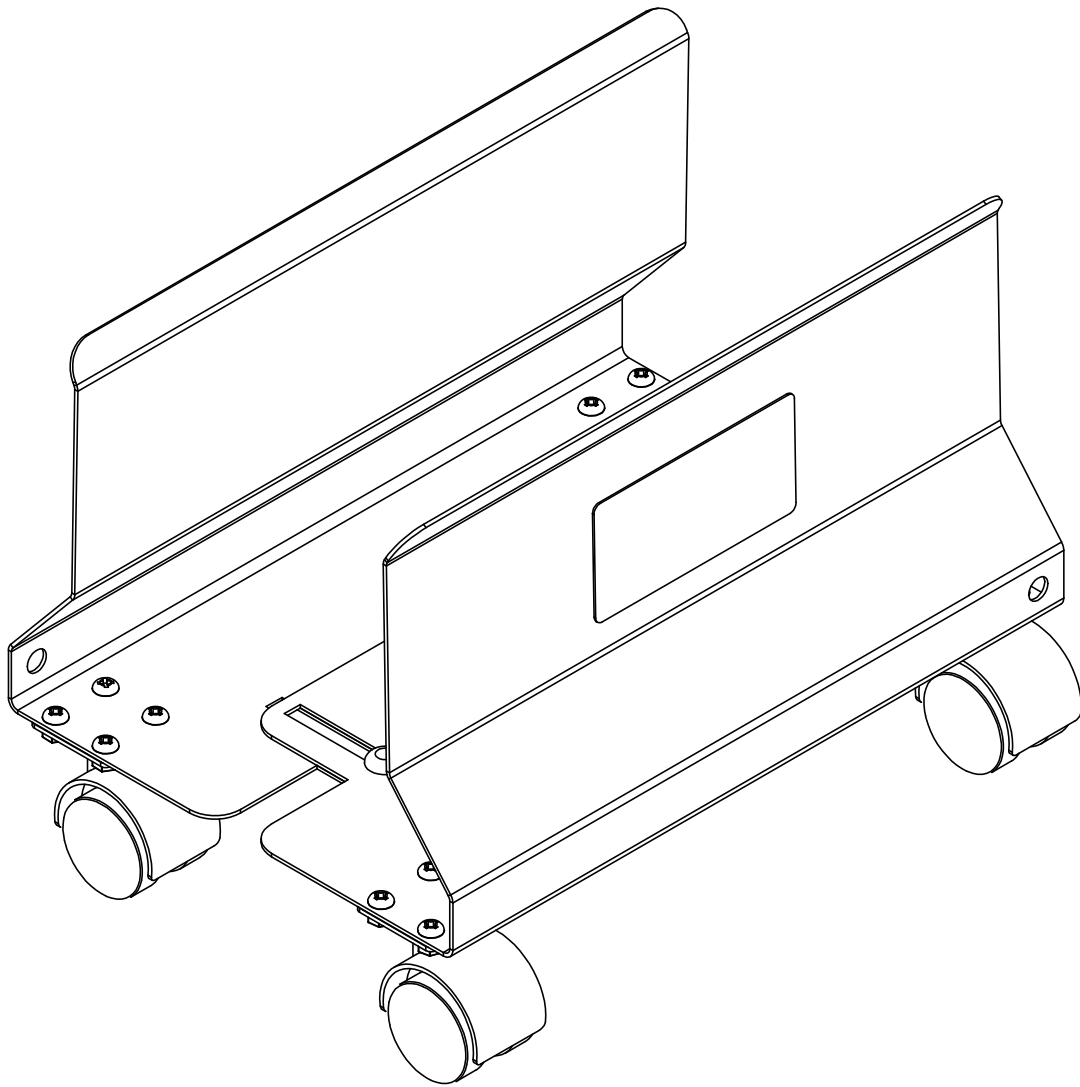




**400CPU Holder Assembly Instructions**  
**Warranty: [raproducts.com/warranty](http://raproducts.com/warranty)**

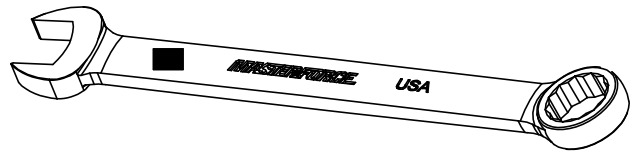




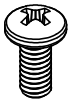
Power Driver with Adjustable Torque



#2 Phillips Head Driver Bit



9mm Wrench or Socket



1

52679 x16



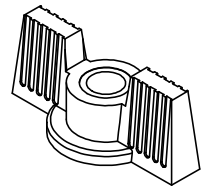
2

50267 x16



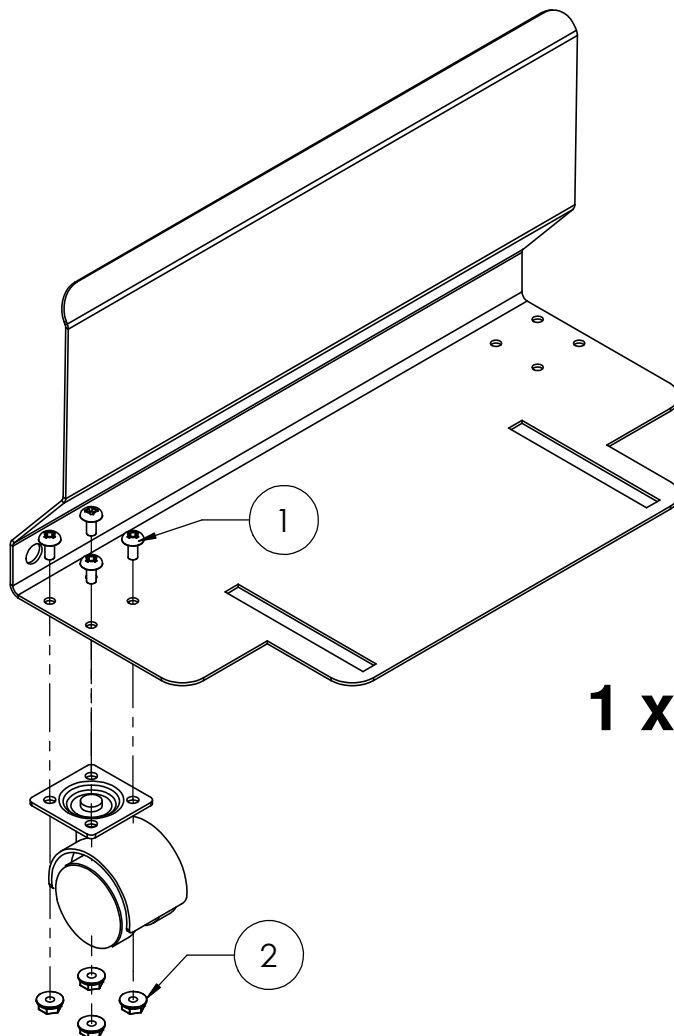
3

50918 x2



4

50727 x2



**1 x4**

