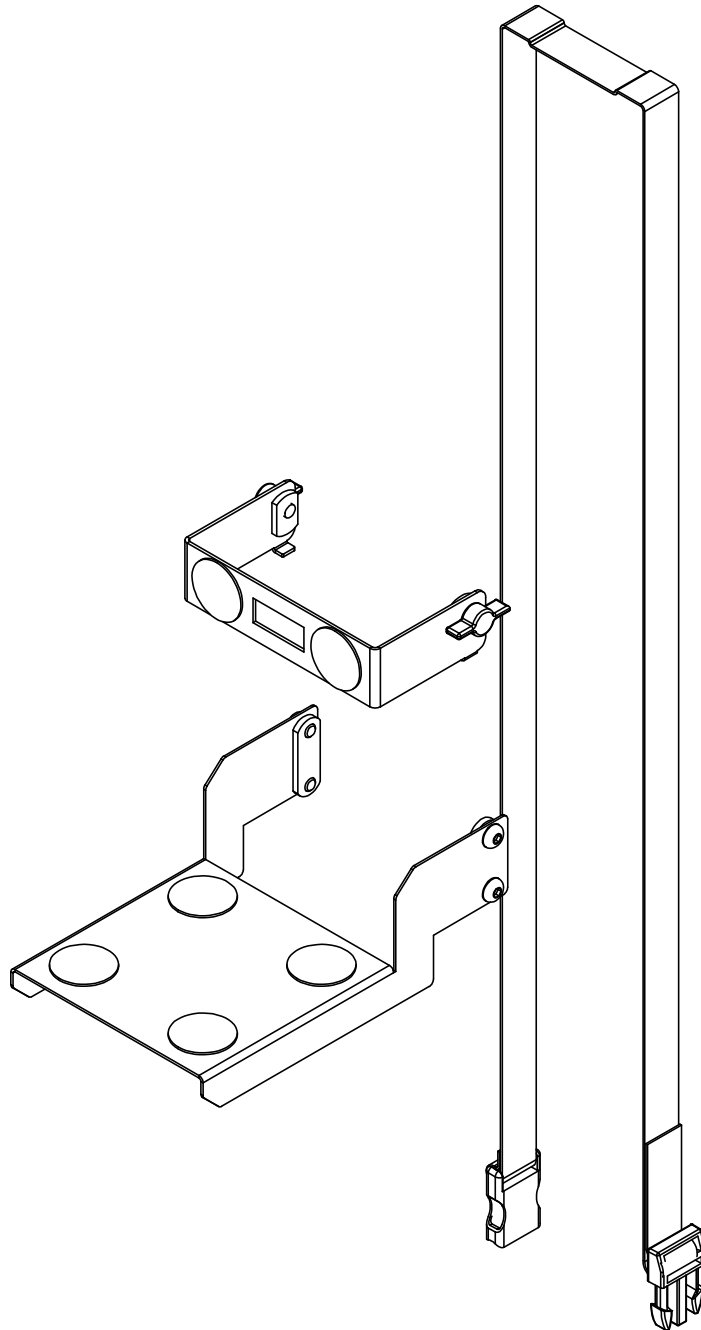




312CPU Holder Assembly Instructions
Warranty: raproducts.com/warranty



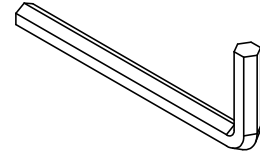


Power Driver with Adjustable Torque

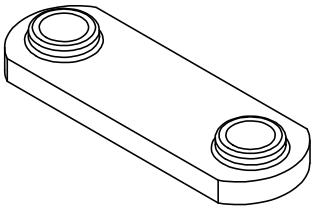


3/16" Hex Head Driver Bit

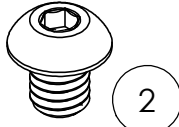
or



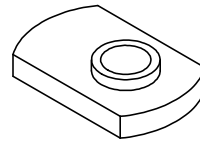
3/16" Allen Wrench



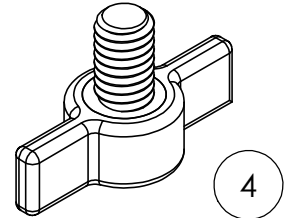
DUAL WELD NUT
53194 x2



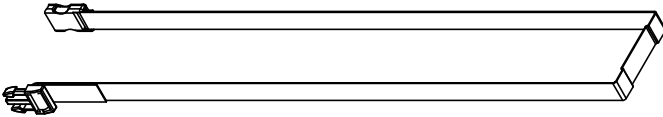
5/16x3/8" BOLT
53638 x4



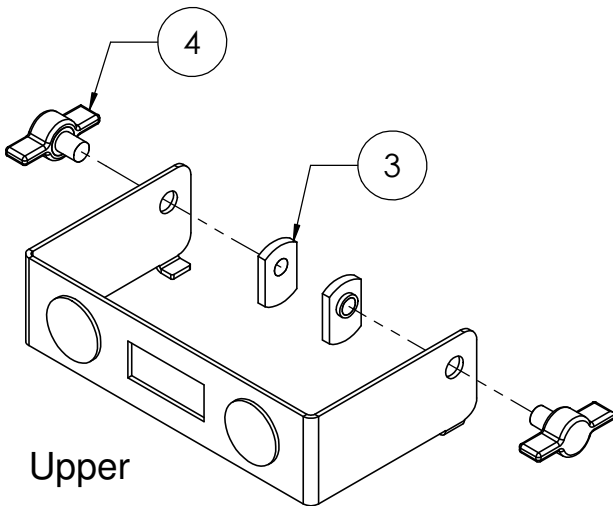
SINGLE WELD NUT
53099 x2



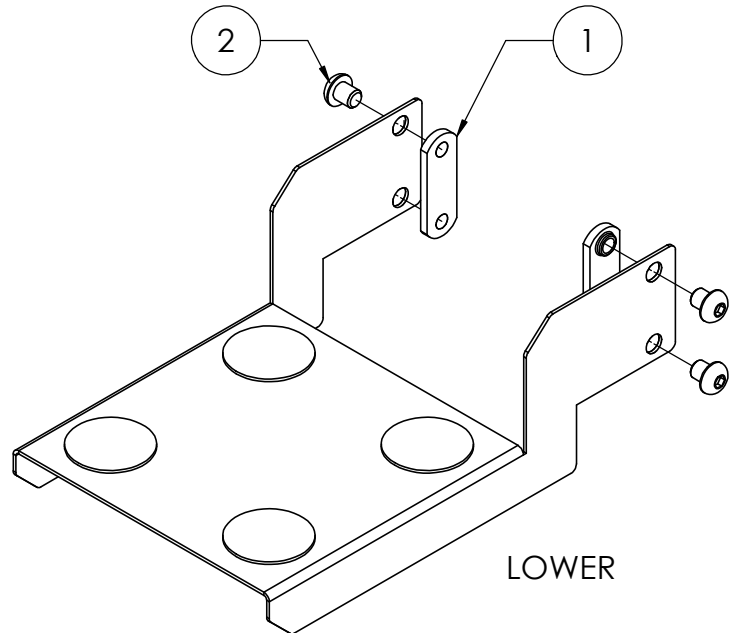
5/16x3/8" T-KNOB
801580 x2



1" BLACK STRAP
50109 X1



1



LOWER

Build these two subassemblies.
Leave the fasteners loose.

