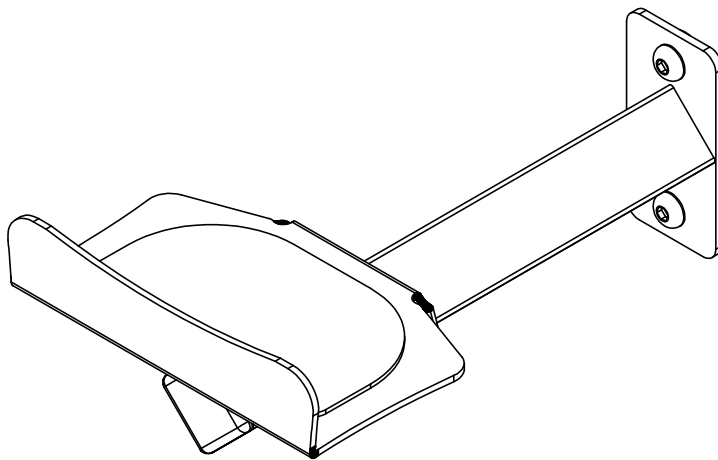
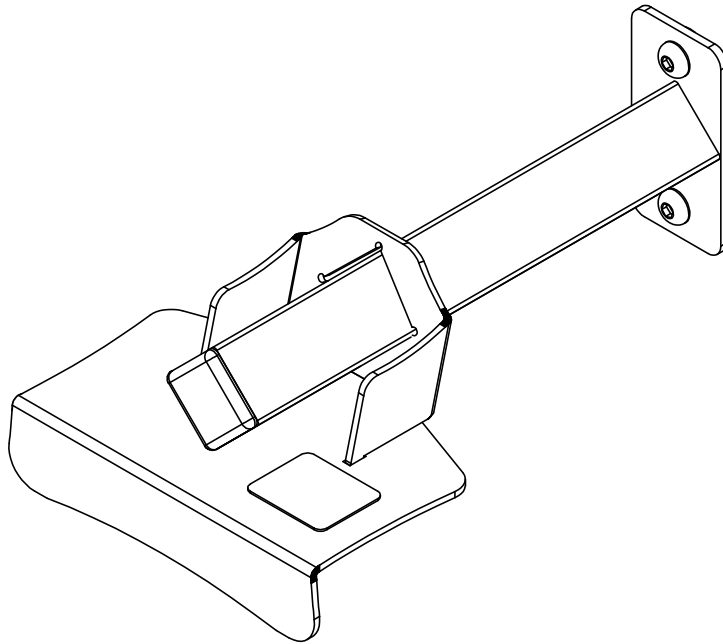


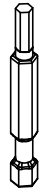


311CPU Holder Assembly Instructions
Warranty: raproducts.com/warranty



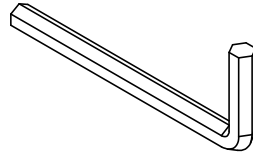


Power Driver with Adjustable Torque



3/16" Hex Head Driver Bit

or



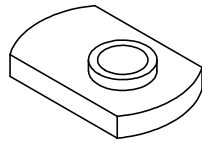
3/16" Allen Wrench



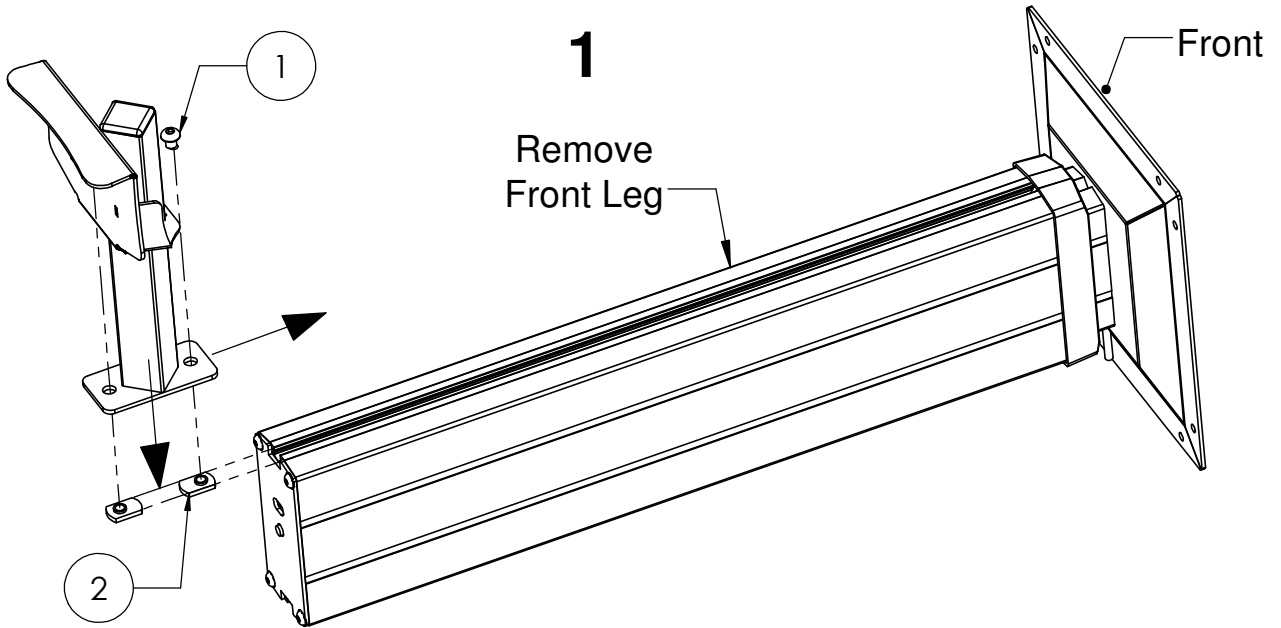
Tape Measure



53638 x4



53099 x4



Brackets Are Interchangeable.

