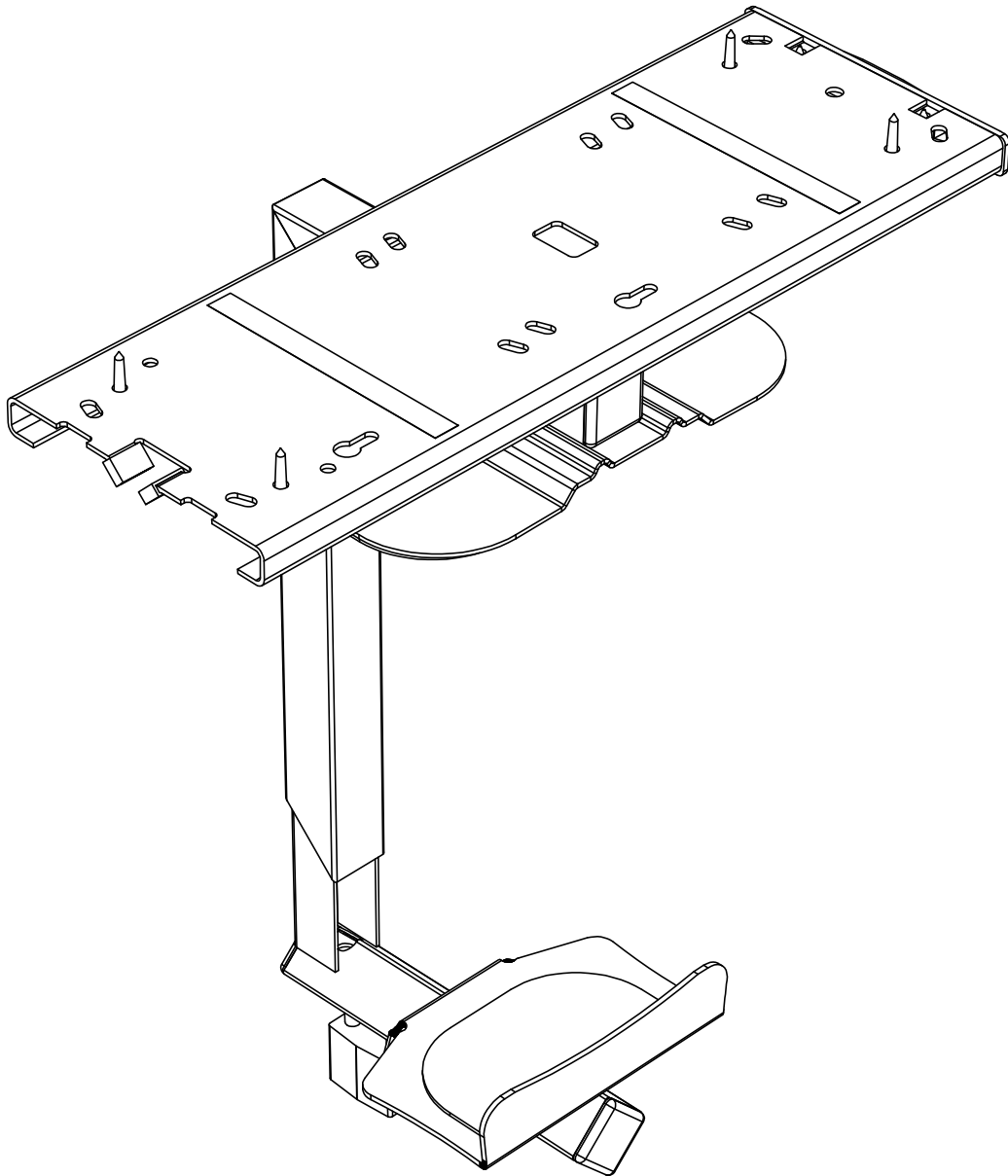
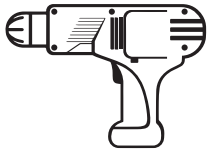




300CPU Holder Assembly Instructions

Warranty: raproducts.com/warranty





Power Driver with Adjustable Torque



#2 Phillips Head Driver Bit



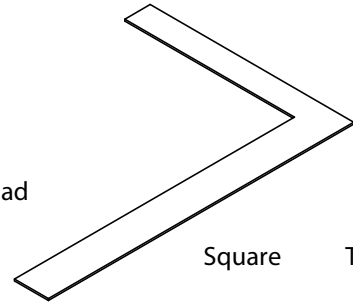
#2 Square Head Driver Bit



Flat Blade Driver Bit



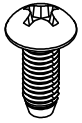
T-20 Torx Head Driver Bit



Square



Tape Measure



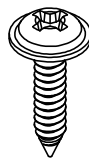
1

50200 x2



2

50951 x2



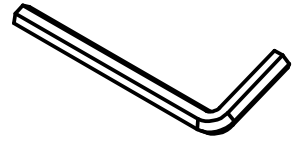
3

52855 x4

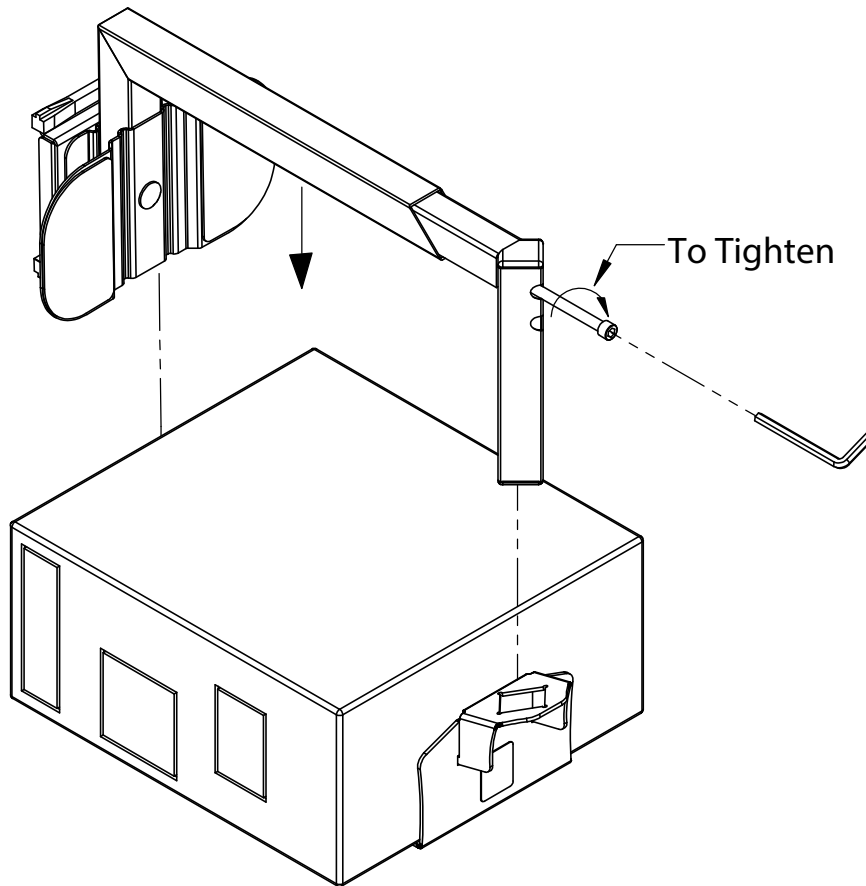


4

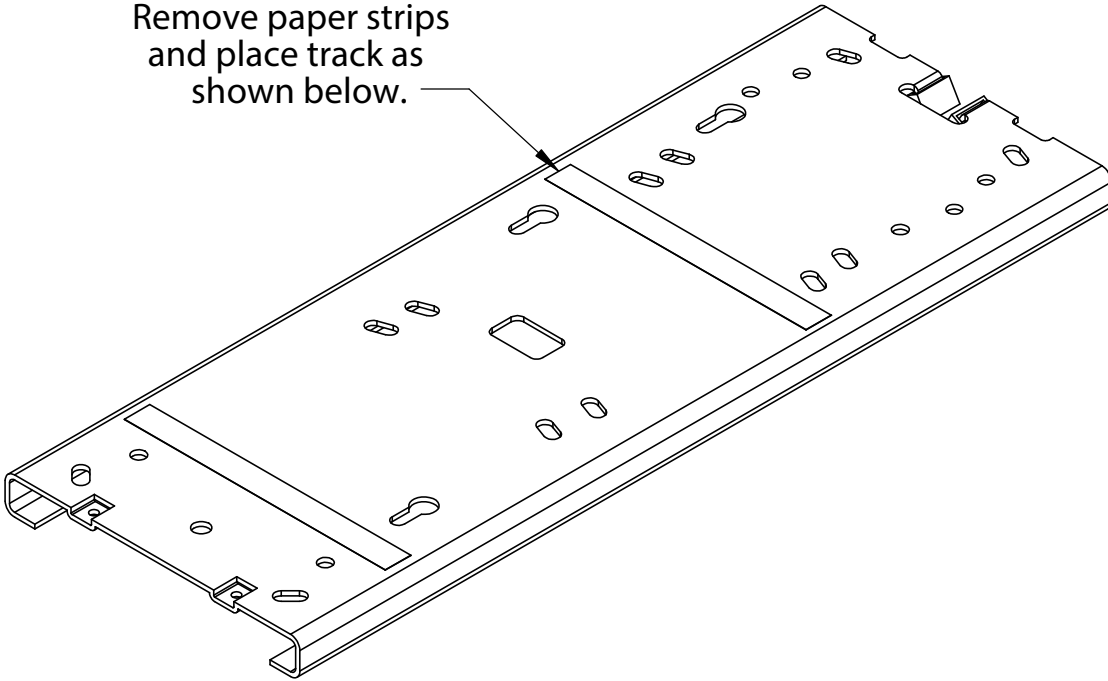
50006 x2



1



Remove paper strips
and place track as
shown below.



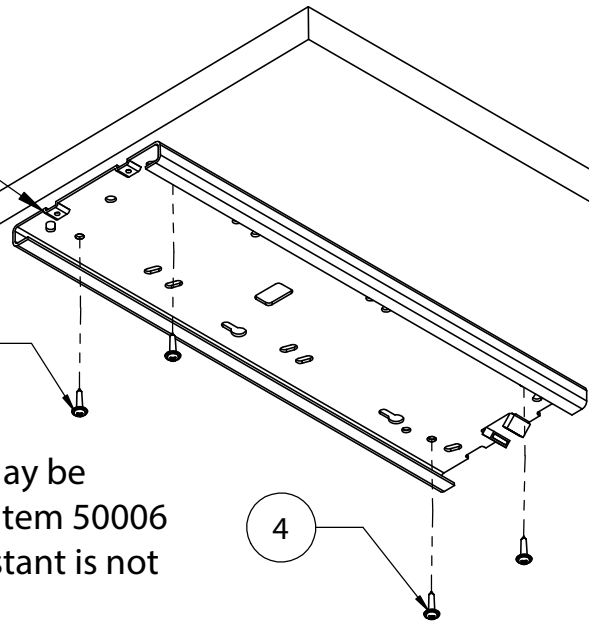
Track square
and back 3/8"

2

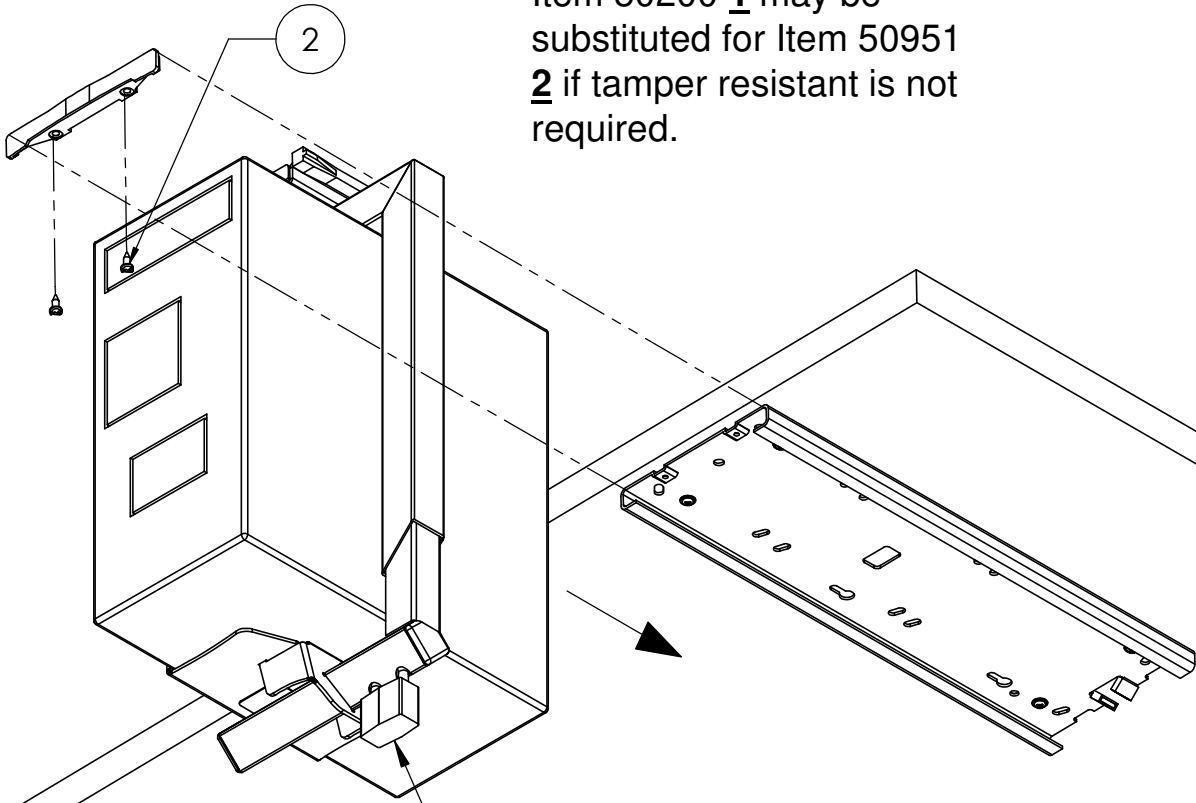
3

Item 52855 3 may be
substituted for item 50006
4 if tamper resistant is not
required.

4



Item 50200 1 may be substituted for Item 50951 2 if tamper resistant is not required.



Padlock not provided.

3