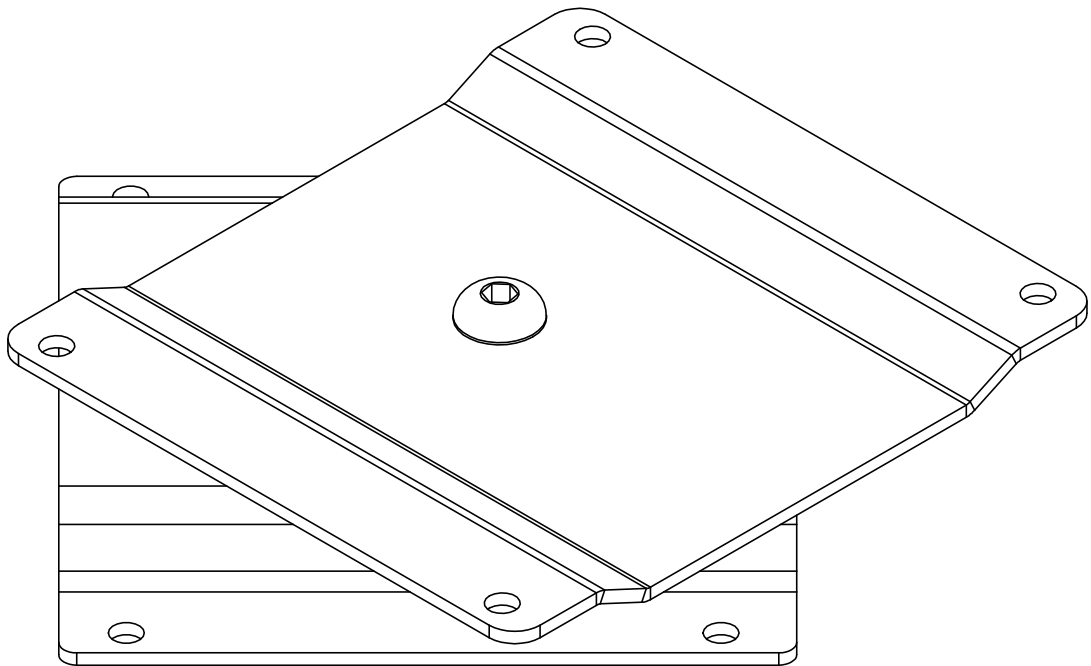




200SP
Warranty: raproducts.com/warranty





Power Driver with Adjustable Torque



#2 Phillips Head Driver Bit



3/8" Wrench or Socket



1

52679



2

50267

