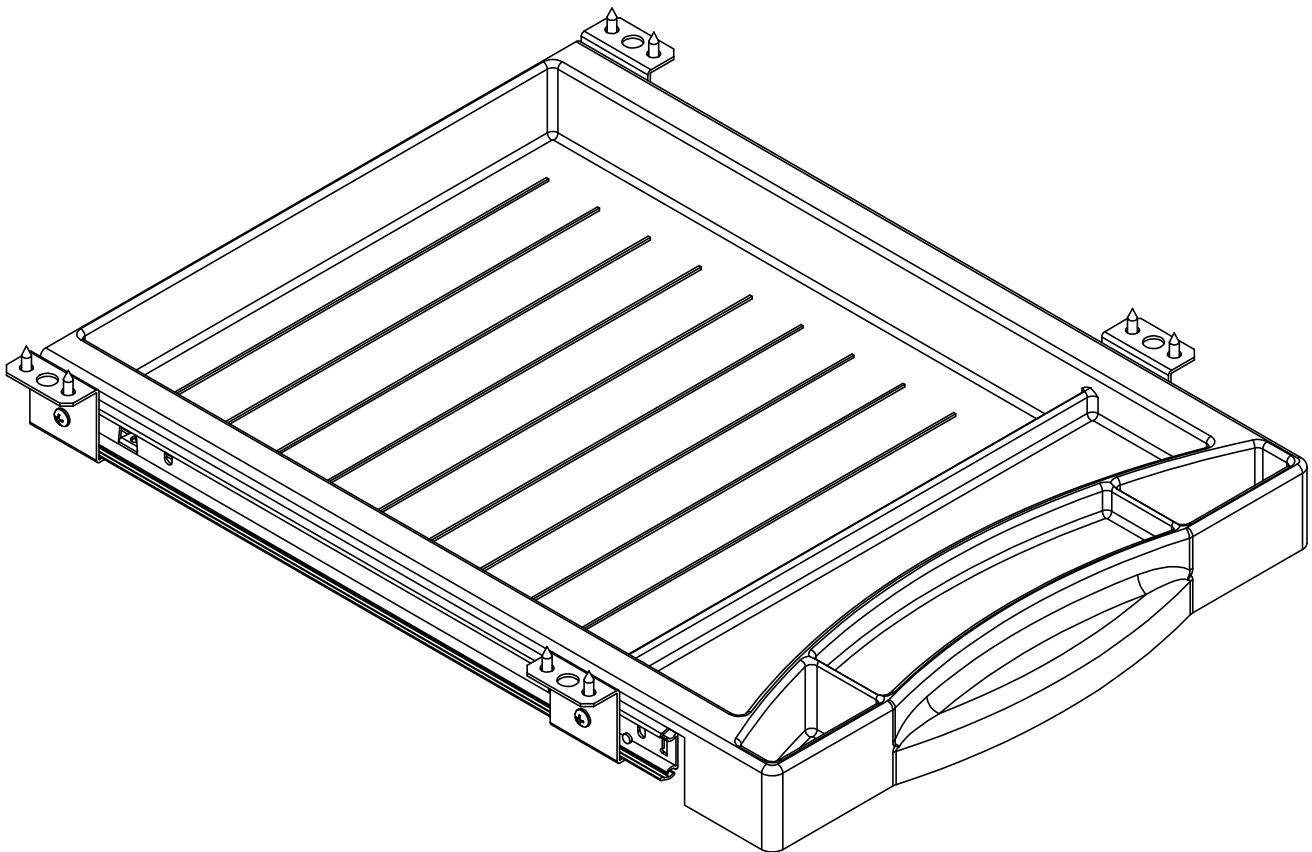




200PDB Pencil Drawer Installation Instructions
Warranty: raproducts.com/warranty



rightangle™ 200PDB Pencil Drawer # 50921

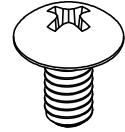


Power Driver with #2 Phillips Head
Adjustable Torque Driver Bit or
Phillips Screwdriver

5/64" Drill Bit



1

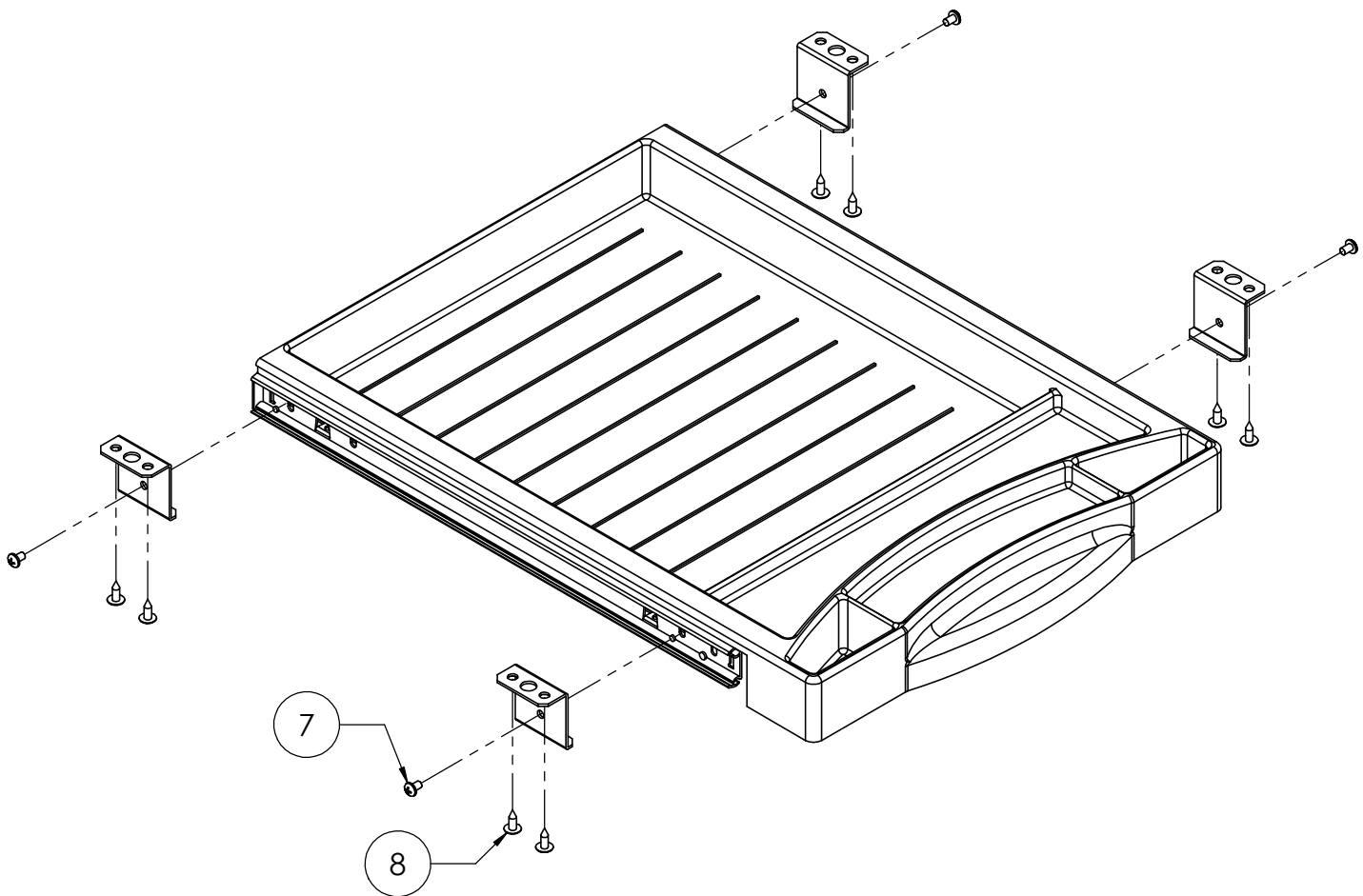


2

Wood Screw

Machine Screw

Screws come with pencil drawer.



Attach the brackets and mark and drill eight 5/64" pilot holes 1/2" deep. Put one screw **1** in each bracket and fully tighten. Operate the drawer. If it is binding, loosen the screws and adjust the drawer until it is not binding. Tighten the screws and drive in four more screws.