



ergonomic products

K&A MANUFACTURING

6703 ZINSER ST., SCHOFIELD, WI 54476

PHONE: 800.298.4351 FAX: 866.882.9475

www.raproducts.com

VERSION DATED: 10/4/11

TOOLS REQUIRED FOR ASSEMBLY

CORDLESS DRILL
2 PHILLIPS HEAD DRIVER BIT
7/16" WRENCH OR SOCKET

**READ ALL THE INSTRUCTIONS
BEFORE BEGINNING**

2000EMO TEARDROP MOUSE TRAY ON A KEYBOARD TRAY OR DRAWER

INSTALLATION INSTRUCTIONS:

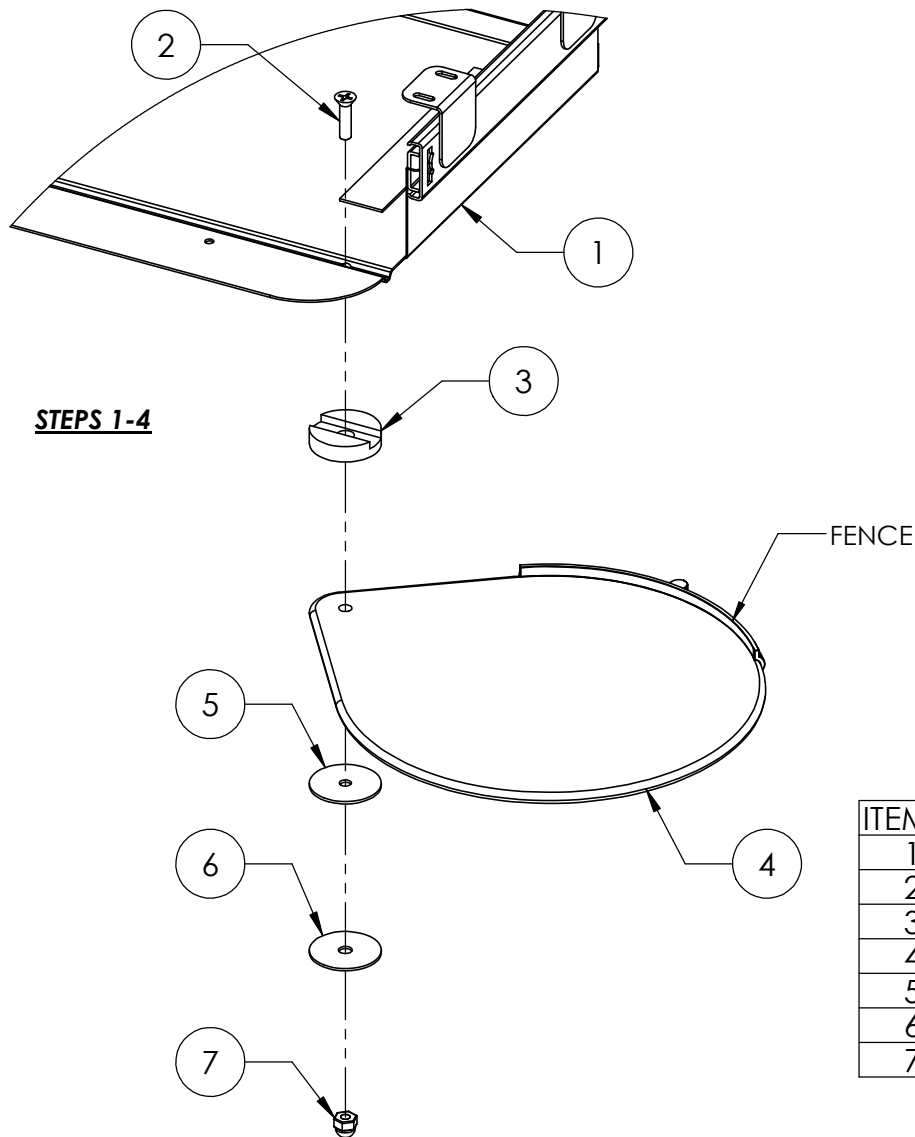
STEP 1: IF THE TRAY OR DRAWER **1** HAS A PALM SUPPORT AT THE FRONT REMOVE IT BY REMOVING THE SCREWS FROM THE BOTTOM. SET IT AND THE SCREWS ASIDE FOR RE-INSTALLATION LATER.

STEP 2: INSERT THE MACHINE SCREW **2** THROUGH THE HOLE IN THE RIB ON THE RIGHT HAND OR LEFT HAND SIDE OF THE KEYBOARD TRAY OR DRAWER **1**. THE TOP OF THE SCREW SHOULD BE FLUSH OR NEARLY FLUSH WITH THE TOP OF THE TRAY OR DRAWER.

STEP 3: PLACE THE BLACK PLASTIC WASHER **3** ONTO THE MACHINE SCREW **2** AGAINST THE BOTTOM OF THE TRAY OR DRAWER **1**. ALIGN THE GROOVE IN THE WASHER WITH THE RIB ON THE TRAY. PLACE THE MOUSE TRAY **4** ONTO THE MACHINE SCREW AGAINST THE PLASTIC WASHER. NEXT PLACE THE NYLON WASHER **5** AND THEN THE METAL WASHER **6** AGAINST THE BOTTOM OF THE MOUSE TRAY. FINALLY, THREAD THE ACORN NUT **7** ONTO THE MACHINE SCREW. TIGHTEN IT SO THE MOUSE TRAY WILL ROTATE BUT NOT SPIN FREELY.

STEP 4: RE-INSTALL THE PALM SUPPORT.

RIGHT HAND INSTALLATION SHOWN. THE MOUSE TRAY CAN ALSO BE INSTALLED ON THE LEFT HAND SIDE OF THE TRAY OR DRAWER. IF IT IS INSTALLED ON THE LEFT SIDE, SLIDE THE MOUSE FENCE OFF AND PLACE IT ON THE OPPOSITE SIDE OF THE TRAY WITH THE PROJECTION FACING UP.



ITEM #	PART #	DESCRIPTION	QTY.
1	VARIABLES	KEYBOARD TRAY OR DRAWER	1
2	52140	1/4-20 x 1 PHILLIPS FLAT HEAD MACHINE SCREW	1
3	800437	3/8 x 1 1/2 x 3/8 PLASTIC WASHER, MODIFIED	1
4	2000EMO	TEARDROP MOUSE TRAY WITH FENCE	1
5	50201	1/4 x 1 1/2 x 1/16 NYLON WASHER	1
6	50153	1/4 x 1 1/2 x 3/32 FENDER WASHER	1
7	50560	1/4-20 LOW CROWN ACORN NUT	1