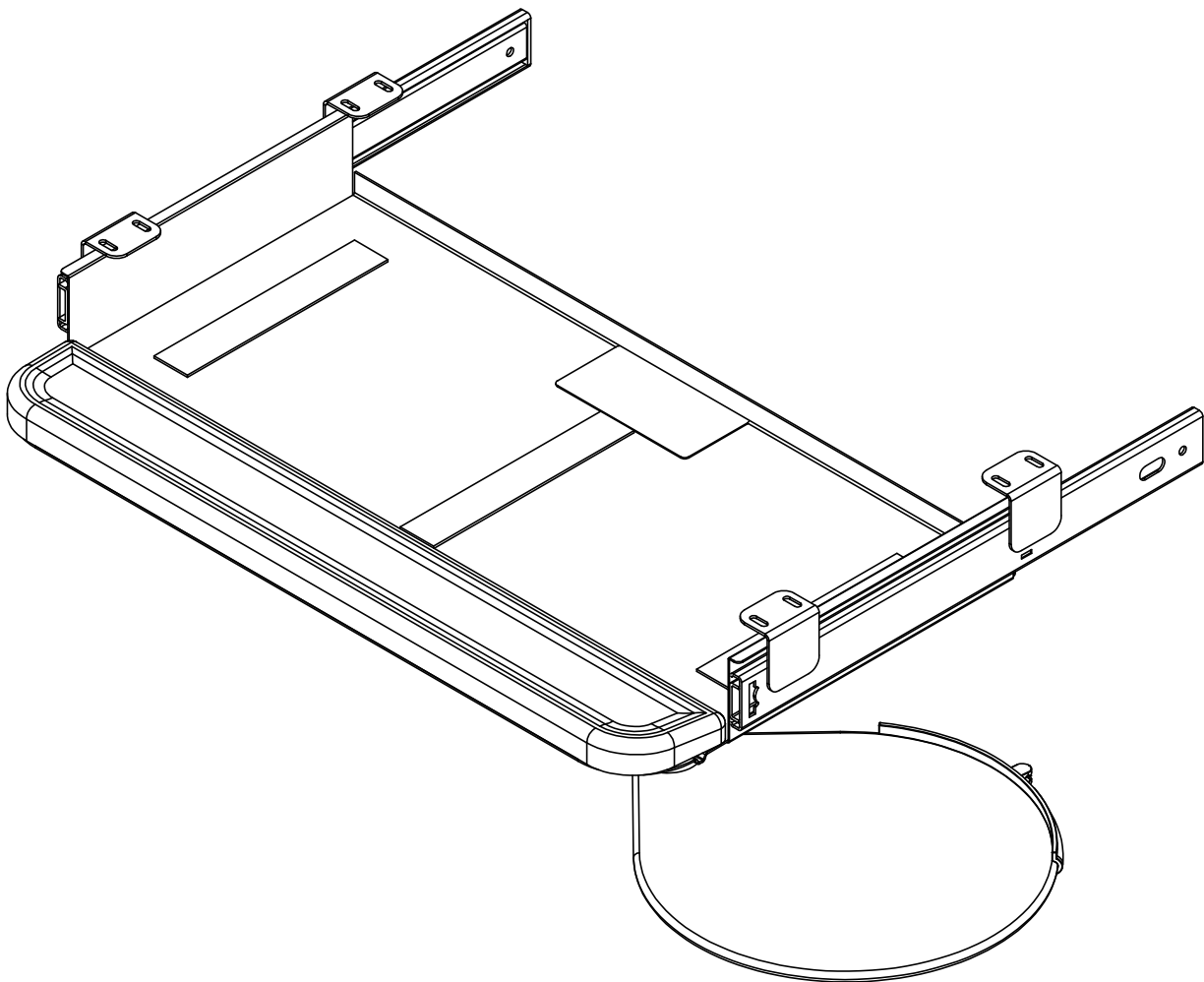




K&A Manufacturing
6703 Zinser Street
Schofield, WI 54476
Phone: 800.298.4351
Fax: 866.882.9475
www.raproducts.com
Version Dated: 6/22/15

2000EM Mouse Tray On Keyboard Tray or Drawer



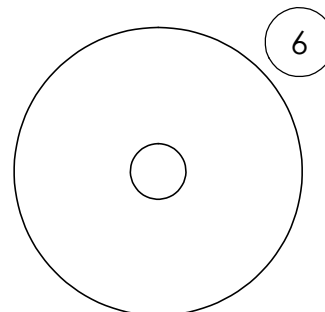
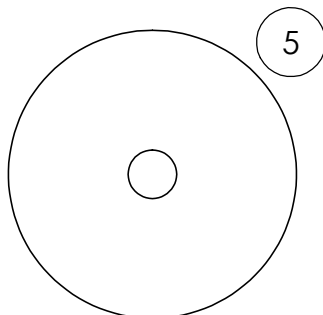
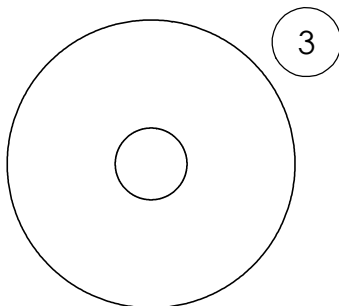
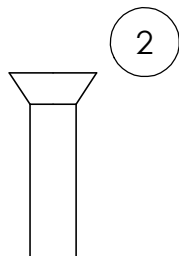
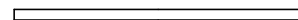
Read all the instructions before beginning.



K&A Manufacturing

6703 Zinser Street Schofield, WI 54476
 Phone: 800.298.4351
 Fax: 866.882.9475
 www.raproducts.com

Tools Required for Assembly:
 Power Driver W/Adjustable Torque
 #2 Phillips Head Driver Bit
 7/16" Driver Bit, Wrench, or Socket

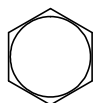


52140

800437

50201

50153



50560

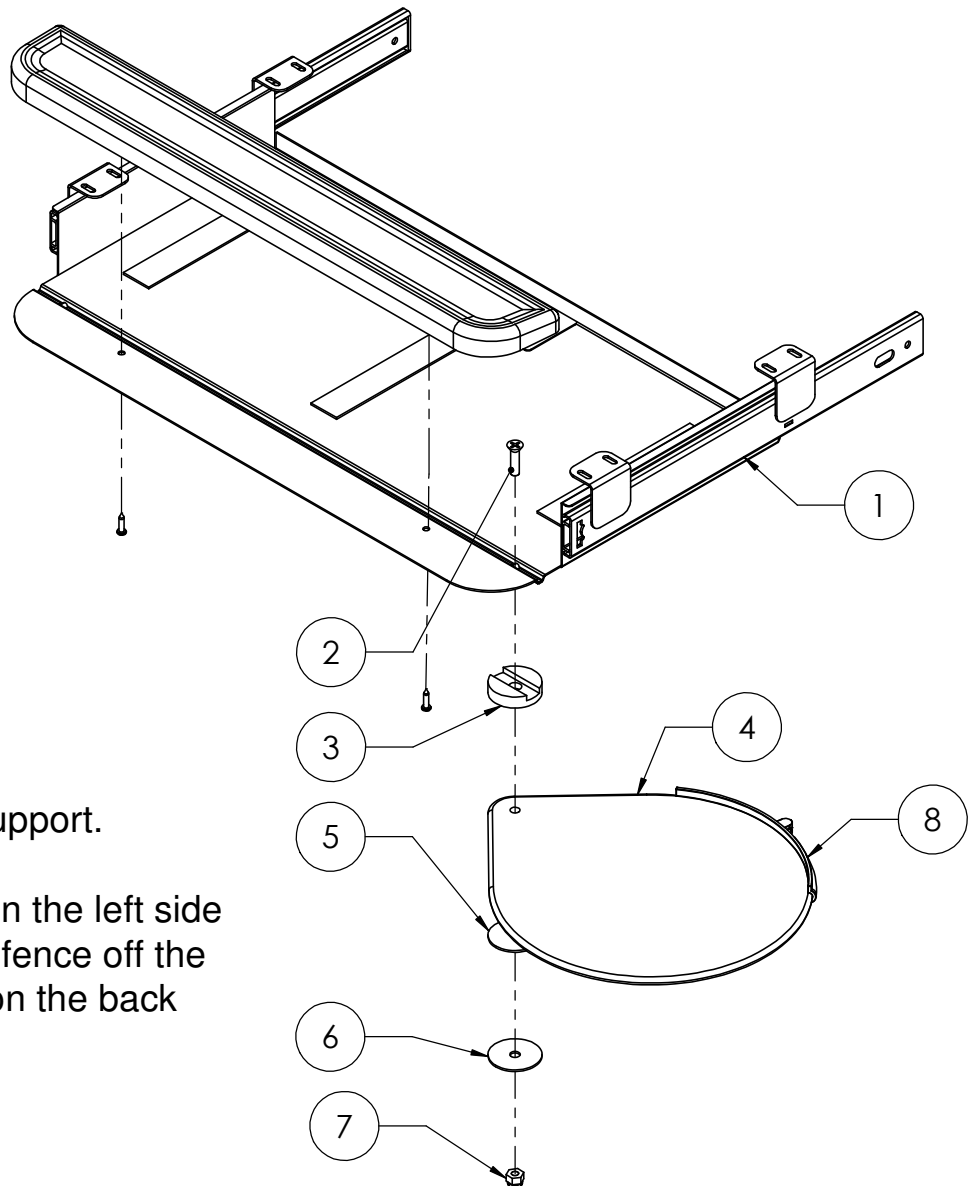
Hardware Pack #52142 Drawn Actual Size

ITEM #	PART #	DESCRIPTION	QTY.
1	Varies	Keyboard Tray or Drawer	1
2	52140	1/4-20 x 1 Phillips Flat Head Machine Screw	1
3	800437	3/8 x 1 1/2 x 3/8 Plastic Washer Modified	1
4	2000EM	Teardrop Mouse Tray	1
5	50201	1/4 x 1 1/2 x 1/16 Nylon Washer	1
6	50153	1/4 x 1 1/2 x 3/32 Fender Washer	1
7	50560	1/4"-20 Low Crown Acorn Nut	1
8	EMF	Mouse Fence For 2000EM	1

Step 1: If the tray or drawer 1 has a palm support at the front, remove it by removing the screws from the bottom. Set the palm support and the screws aside for reinstallation later.

Step 2: Insert the machine screw 2 through the hole in the rib. You can install the mouse tray 4 on the right hand or left hand side of the tray or drawer. The top of the screw should be flush with the top of the tray or drawer.

Step 3: Place the black plastic washer 3 onto the machine screw 2 against the bottom of the tray or drawer. Align the groove in the washer with the rib on the tray 1. Place the mouse tray 4 on the machine screw against the black plastic washer. Next place the nylon washer 5 on the machine screw against the mouse tray. Place the metal washer 6 on the machine screw against the nylon washer. Thread the acorn nut 7 onto the machine screw. Tighten it so the tray will rotate but not spin freely.



Step 4: Reinstall the palm support.

If you install the mouse tray on the left side of the tray or drawer, pull the fence off the front of the tray and install it on the back with the projection facing up.