



ergonomic products

K&A MANUFACTURING

6703 ZINSER ST., SCHOFIELD, WI 54476
 PHONE: 800.298.4351 FAX: 866.882.9475
 www.raproducts.com

VERSION DATED: 9/14/11

TOOLS REQUIRED FOR ASSEMBLY:

- CORDLESS DRILL
- #2 PHILLIPS HEAD DRIVER BIT
- 7/16" DRIVER BIT OR WRENCH

READ ALL THE INSTRUCTIONS BEFORE BEGINNING

2000EM TEARDROP MOUSE TRAY INSTRUCTIONS FOR CONVERTING FROM RIGHT HAND OPERATION TO LEFT HAND OPERATION:

STEP 1: REMOVE THE SHEET METAL OR MACHINE SCREWS **9** THAT HOLD THE PALM SUPPORT **8** ONTO THE KEYBOARD TRAY **1**. REMOVE THE PALM SUPPORT AND SET IT AND THE SCREWS ASIDE.

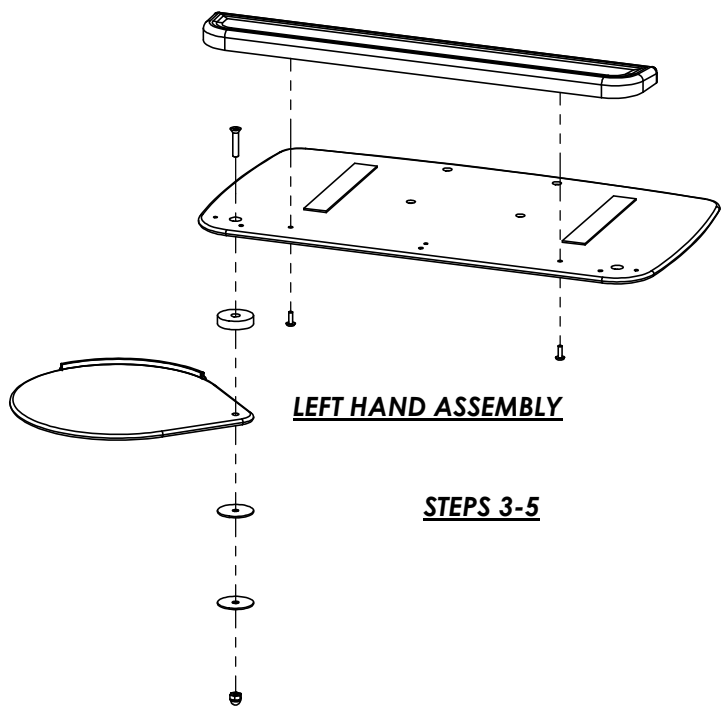
STEP 2: REMOVE THE ACORN NUT **7** FROM THE MACHINE SCREW **2**. REMOVE THE WASHERS **5** AND **6**. REMOVE THE MOUSE TRAY AND THE PLASTIC WASHER **3** FROM THE MACHINE SCREW.

STEP 3: REMOVE THE MACHINE SCREW **2** FROM THE HOLE ON THE RIGHT HAND SIDE OF THE KEYBOARD TRAY OR DRAWER **1** AND INSERT IT IN THE CORRESPONDING HOLE ON THE LEFT HAND SIDE.

STEP 4: REASSEMBLE THE WASHERS, THE MOUSE TRAY, AND THE ACORN NUT IN THE REVERSE ORDER OF DISASSEMBLY.

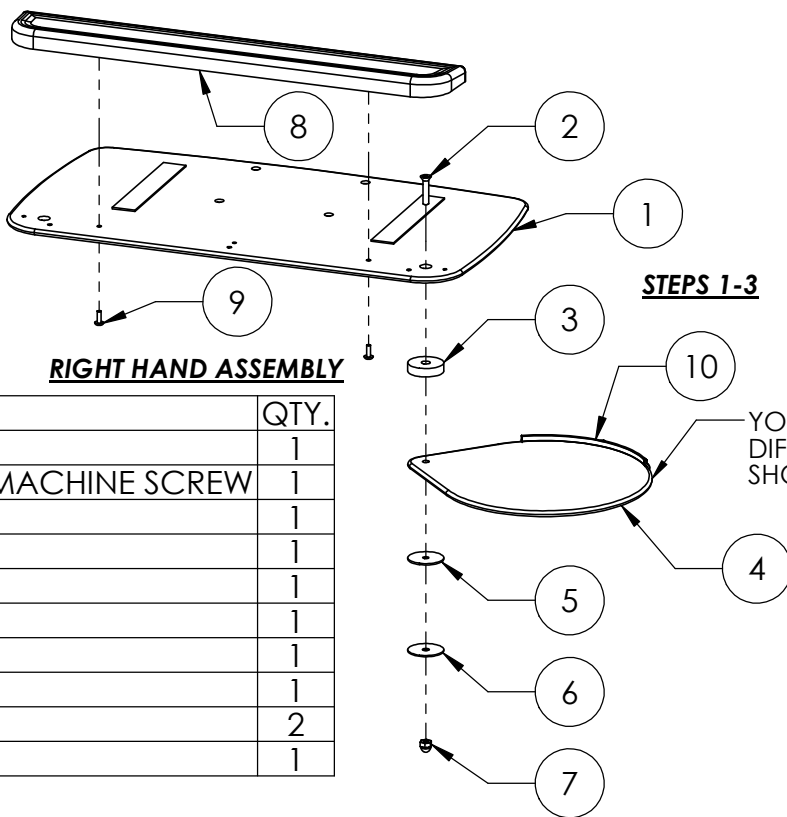
STEP 5: RE-ATTACH THE PALM SUPPORT **8** WITH THE SCREWS THAT WERE SET ASIDE EARLIER.

STEP 6: PULL THE MOUSE FENCE **10** OFF THE MOUSE TRAY **4** AND PLACE IT AT THE BACK OF THE MOUSE TRAY WITH THE PROJECTION FACING UP.



LEFT HAND ASSEMBLY

STEPS 3-5



RIGHT HAND ASSEMBLY

STEPS 1-3

YOUR MOUSE TRAY MAY LOOK DIFFERENT THAN THE ONE SHOWN HERE.

ITEM #	PART #	DESCRIPTION	QTY.
1	VARIABLES	KEYBOARD TRAY OR DRAWER	1
2	50049	1/4-20 x 1 1/4 PHILLIPS FLAT HEAD MACHINE SCREW	1
3	50733	3/8 x 1 1/2 x 3/8 PLASTIC WASHER	1
4	VARIABLES	MOUSE TRAY	1
5	50201	1/4 x 1 1/2 x 1/16 NYLON WASHER	1
6	50153	1/4 x 1 1/2 x 3/32 FENDER WASHER	1
7	50560	1/4-20 LOW CROWN ACORN NUT	1
8	VARIABLES	PALM SUPPORT	1
9	VARIABLES	SHEET METAL OR MACHINE SCREW	2
10	EMF	MOUSE FENCE FOR 2000EM	1